

REVISION

DATE

ADDED HOLE OPTION TO TABLE & ADDED ITEM 3

11-21-16

ADDED ITEMS 4 & 5

12-6-17



PCORE
ELECTRIC

PART No. SDB-316082-D & D-S (SERIES)

TITLE

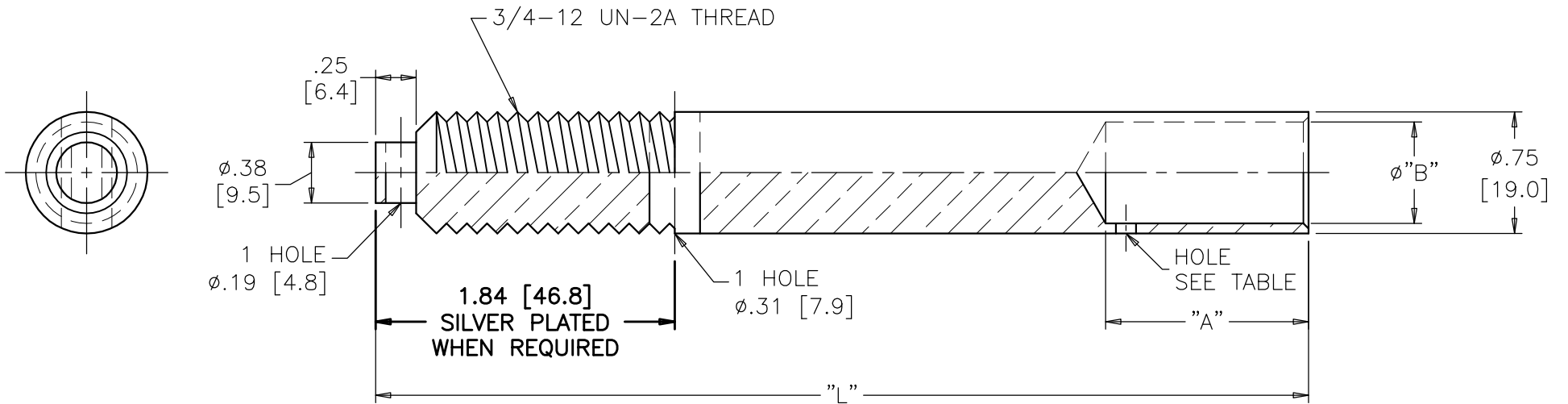
CRIMP TYPE
DRAW LEAD TERMINAL

DATE 1-20-12

SCALE 1/1

REF.

- NOTES: 1. DIMENSIONS ARE IN INCHES [MILLIMETERS]
 2. MATERIAL - COPPER.
 3. ADD "S" SUFFIX TO INDICATE SILVER PLATING IN DESIGNATED AREA IS REQUIRED. Ex. B-316082-D-S-1.



5	4.00 [101.6]	1.50 [38.1]	.625 [15.9]	YES	---
4	4.00 [101.6]	1.50 [38.1]	.516 [13.1]	YES	---
3	6.25 [158.8]	1.75 [44.4]	.638 [16.21]	NO	4/0 AWG
2	5.75 [146.0]	1.25 [31.8]	.625 [15.88]	YES	4/0 AWG
1	6.25 [158.8]	1.75 [44.4]	.638 [16.21]	YES	4/0 AWG
ITEM	"L"	"A"	"B"	HOLE	CABLE SIZE