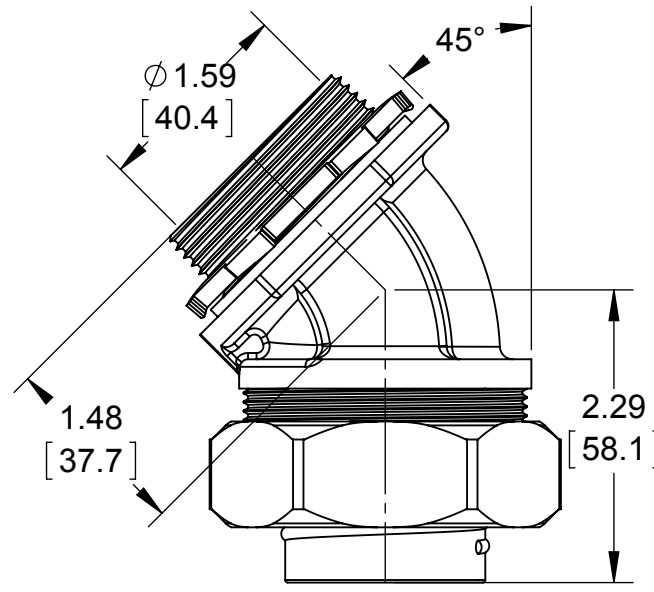
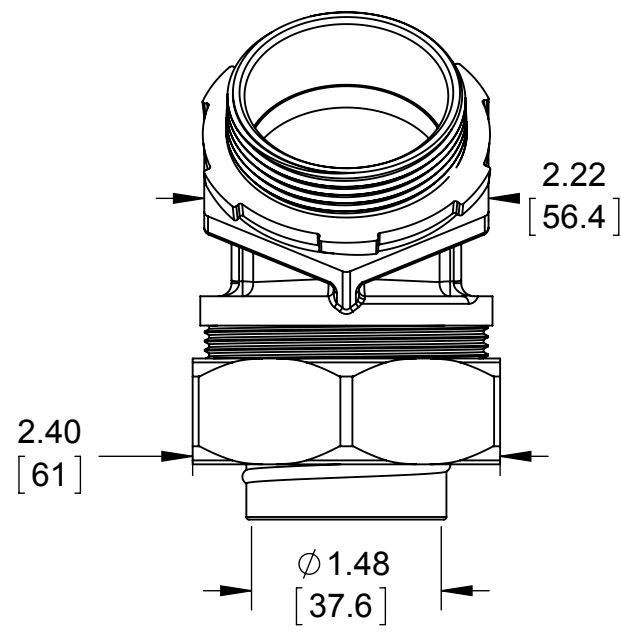
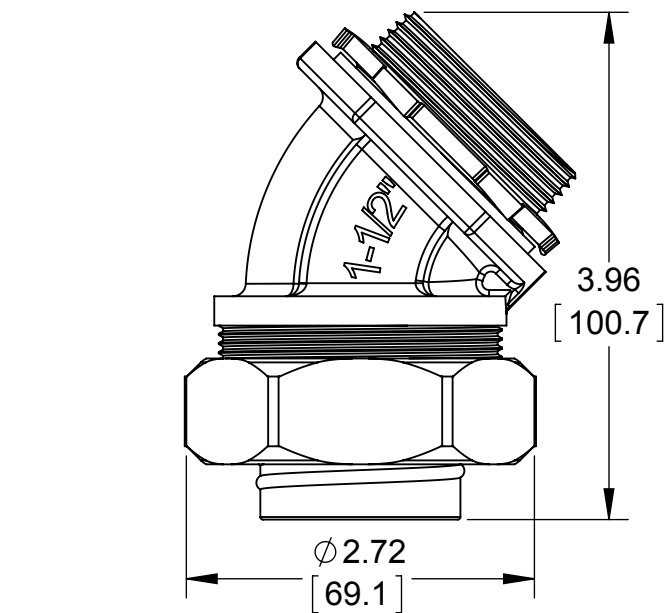


**LIST OF PARTS**

| DESCRIPTION     | MATERIAL      | FINISH     |
|-----------------|---------------|------------|
| 45° BODY        | MALEABLE IRON | GALVANIZED |
| FERRULE         | STEEL         | GALVANIZED |
| GLAND RING      | NYLON         | YELLOW     |
| COMPRESSION NUT | MALEABLE IRON | GALVANIZED |
| WASHER          | NYLON         | YELLOW     |
| LOCK NUT        | STEEL         | GALVANIZED |



NOTES:  
 1. ALL DIMENSIONS ARE IN INCHES AND [MILLIMETERS]  
 2. cULus LISTED

| SYM. | REVISION DESCRIPTION | APP  | DATE       |
|------|----------------------|------|------------|
|      | INITIAL RELEASE      | J.R. | 03/17/2015 |

THE DESIGN AND DIMENSIONS OF THE PRODUCT SHOWN ON THIS DRAWING ARE SUBJECT TO CHANGE WITHOUT NOTICE

TITLE:  
**3446 1-1/2" LIQUIDTIGHT 45° CONNECTOR**

|                                      |                  |                                    |                |
|--------------------------------------|------------------|------------------------------------|----------------|
| TOLERANCE UNLESS OTHERWISE SPECIFIED |                  | <b>RACO</b><br>South Bend, Indiana |                |
| .XX DECIMAL ±.015                    | DRAWN BY: J.R.   | SCALE: 2:3                         | SIZE: <b>B</b> |
| .XXX DECIMAL ±.005                   | APP. BY: M.C.    |                                    |                |
| ANGLE ±2°                            | DATE: 03/17/2015 |                                    |                |