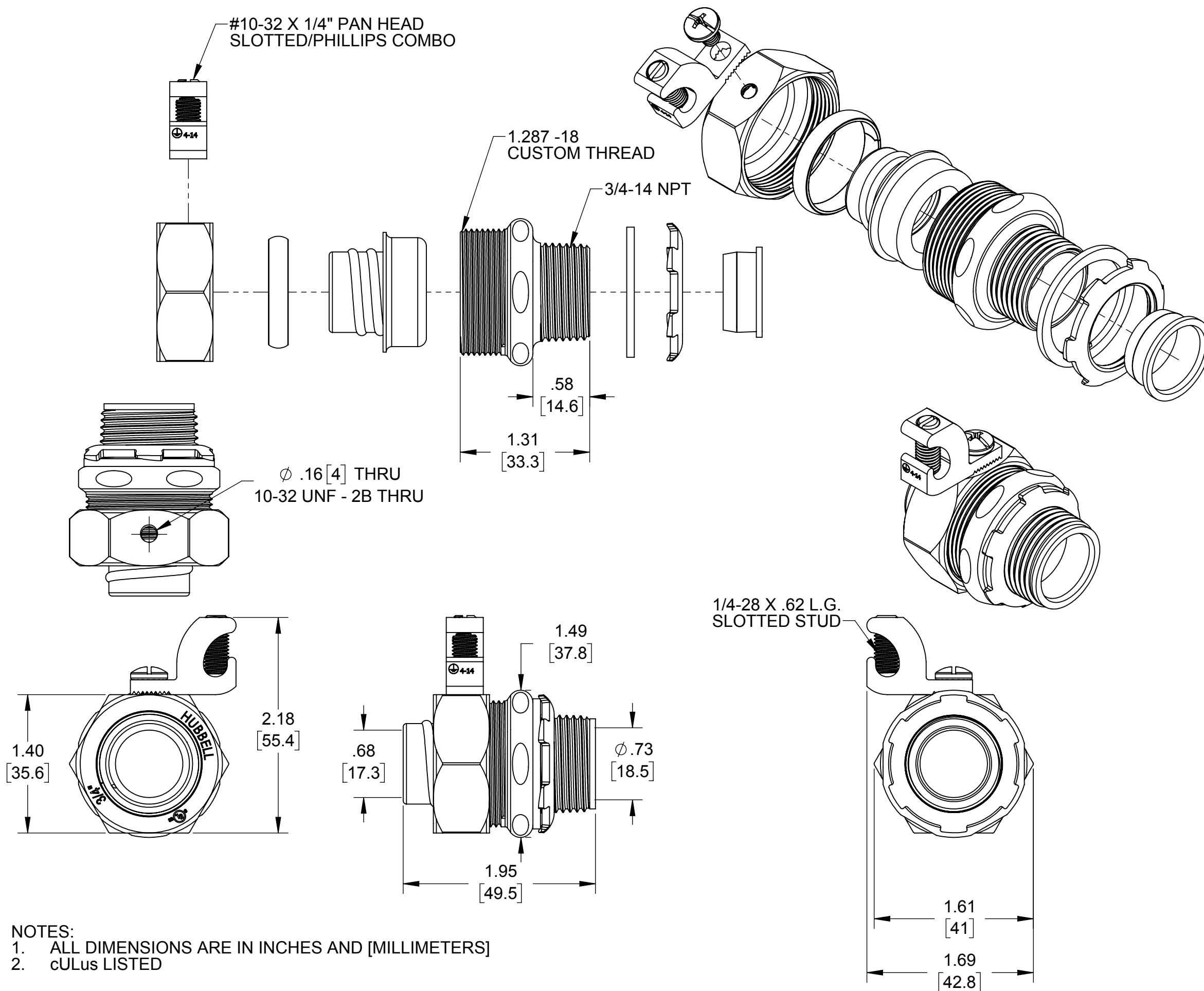


LIST OF PARTS

DESCRIPTION	MATERIAL	FINISH
STRAIGHT BODY	STEEL	GALVANIZED
FERRULE	STEEL	GALVANIZED
GLAND RING	NYLON	YELLOW
COMPRESSION NUT	STEEL	GALVANIZED
WASHER	NYLON	YELLOW
LOCK NUT	STEEL	GALVANIZED
INSULATION BUSHING	NYLON	YELLOW
GROUNDING LUG	COPPER	NICKEL
MOUNTING SCREW	STEEL	GALVANIZED



- NOTES:
 1. ALL DIMENSIONS ARE IN INCHES AND [MILLIMETERS]
 2. cULus LISTED

SYM.	REVISION DESCRIPTION	INITIAL RELEASE	F.P. APP	DATE
				08-04-16

THE DESIGN AND DIMENSIONS OF THE PRODUCT SHOWN ON THIS DRAWING ARE SUBJECT TO CHANGE WITHOUT NOTICE

TITLE:
3513-3 3/4" LIQUIDTIGHT INSULATED STRAIGHT CONNECTOR WITH GROUNDING LUG

TOLERANCE UNLESS OTHERWISE SPECIFIED		RACO South Bend, Indiana	
DRAWN BY:	F.P.	SCALE:	1:1
APP. BY:	S.J.		
DATE:	08-04-16		