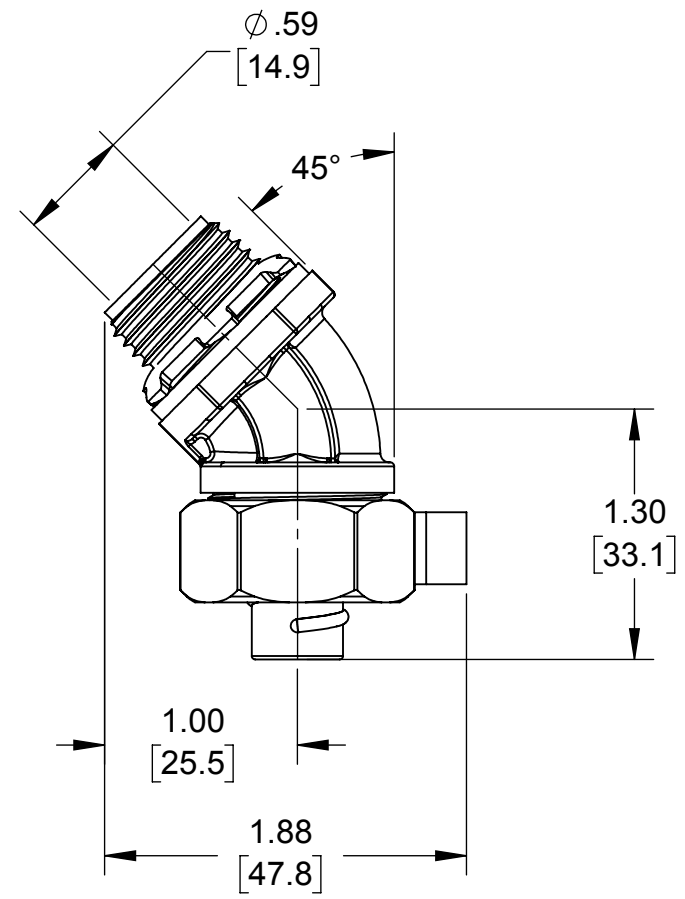
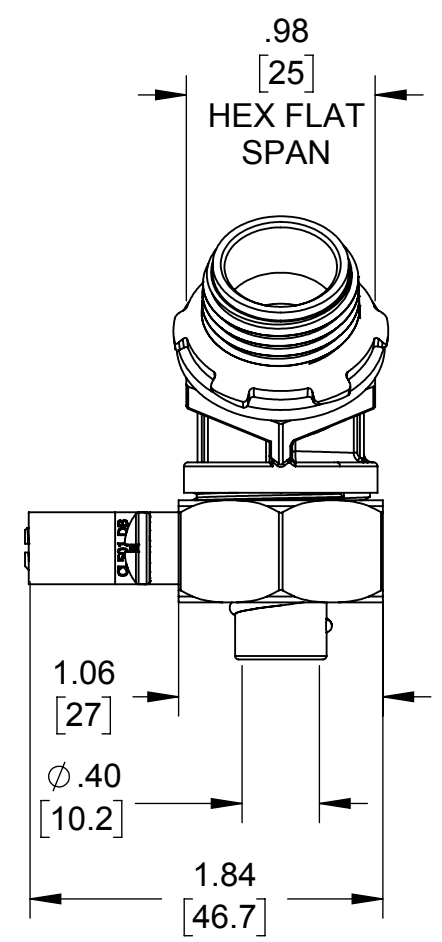
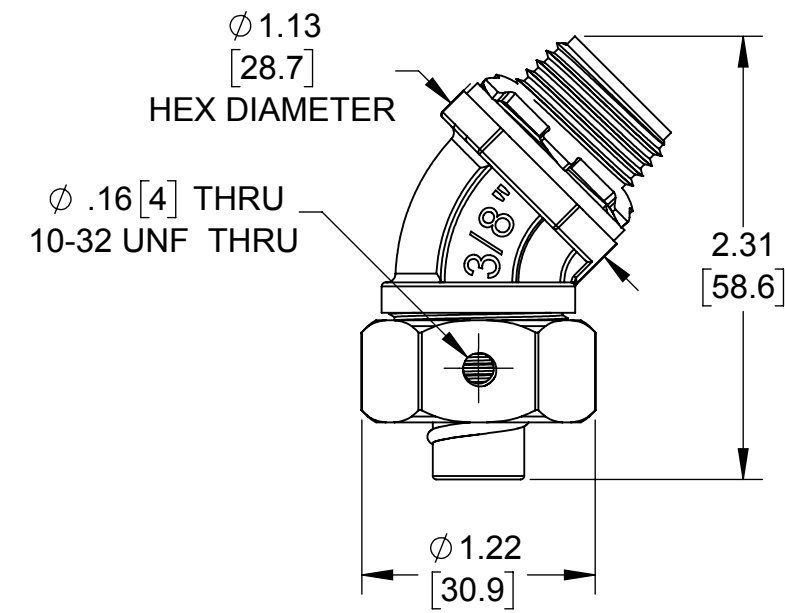
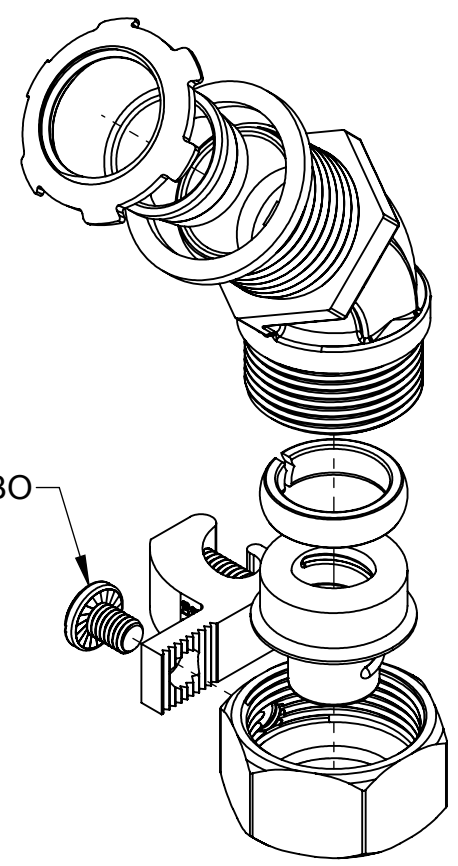


#10-32 X 1/4" PAN HEAD SLOTTED/PHILLIPS COMBO



NOTES:
 1. ALL DIMENSIONS ARE IN INCHES AND [MILLIMETERS]
 2. cULus LISTED

LIST OF PARTS

DESCRIPTION	MATERIAL	FINISH
45° BODY	MALEABLE IRON	GALVANIZED
FERRULE	STEEL	GALVANIZED
GLAND RING	NYLON	YELLOW
COMPRESSION NUT	STEEL	GALVANIZED
WASHER	NYLON	YELLOW
LOCK NUT	STEEL	GALVANIZED
INSULATION BUSHING	NYLON	YELLOW
GROUNDING LUG	COPPER	NICKEL
MOUNTING SCREW	STEEL	GALVANIZED

SYM.	REVISION DESCRIPTION	APP	DATE
	INITIAL RELEASE	S.K.	08-02-2016

THE DESIGN AND DIMENSIONS OF THE PRODUCT SHOWN ON THIS DRAWING ARE SUBJECT TO CHANGE WITHOUT NOTICE

TITLE:
3561-3 3/8" LIQUIDTIGHT INSULATED 45° CONNECTOR WITH GROUNDING LUG

TOLERANCE UNLESS OTHERWISE SPECIFIED		RACO South Bend, Indiana		
.XX DECIMAL ±.015	DRAWN BY: S.K.			SCALE: 1:1
.XXX DECIMAL ±.005	APP. BY: S.J.			
ANGLE ±2°	DATE: 08-02-2016			

FILE NO. : 3561-3 CUS
 DIMENSION SHEET FOR CAT. NO. 3561-3
 SIZE: B