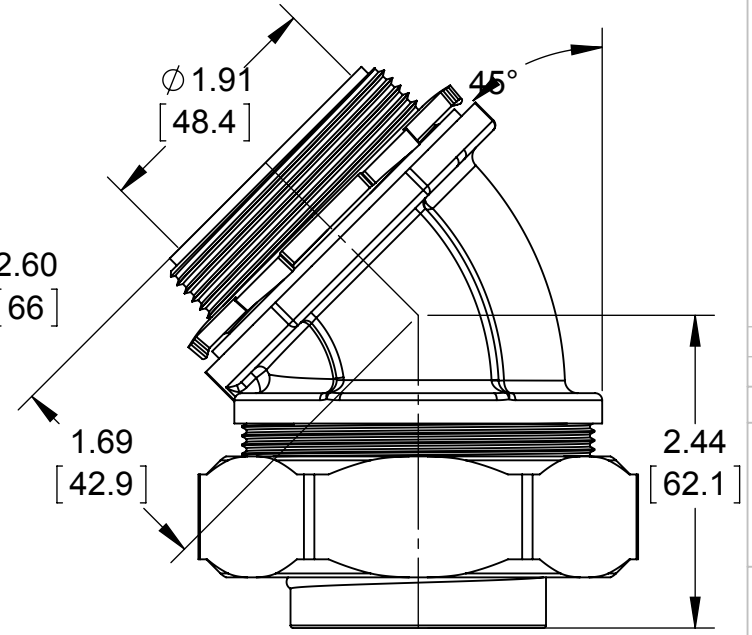
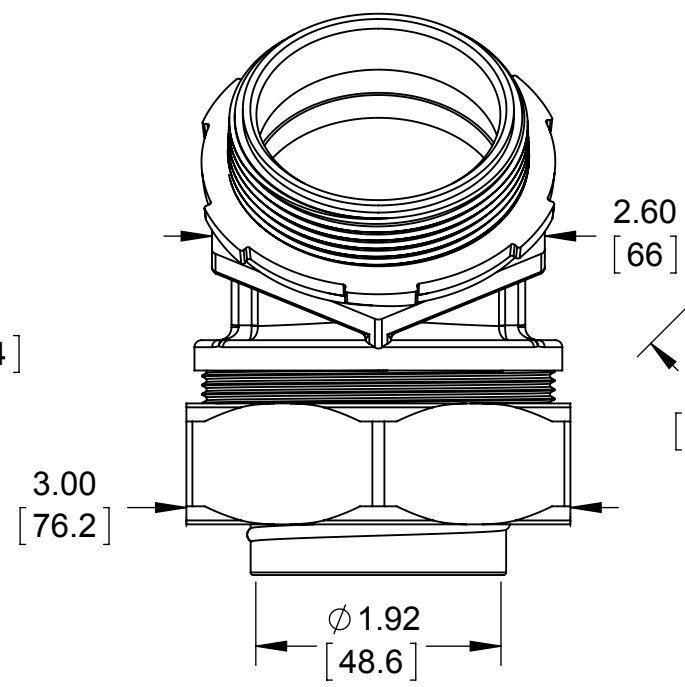
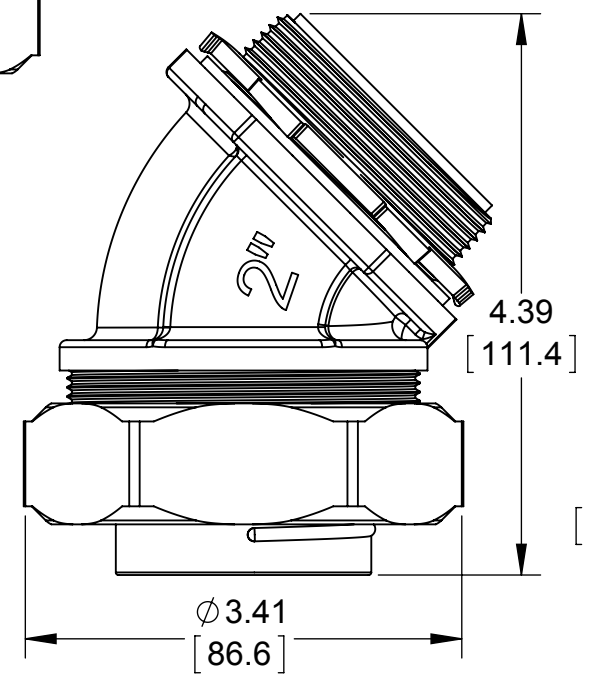
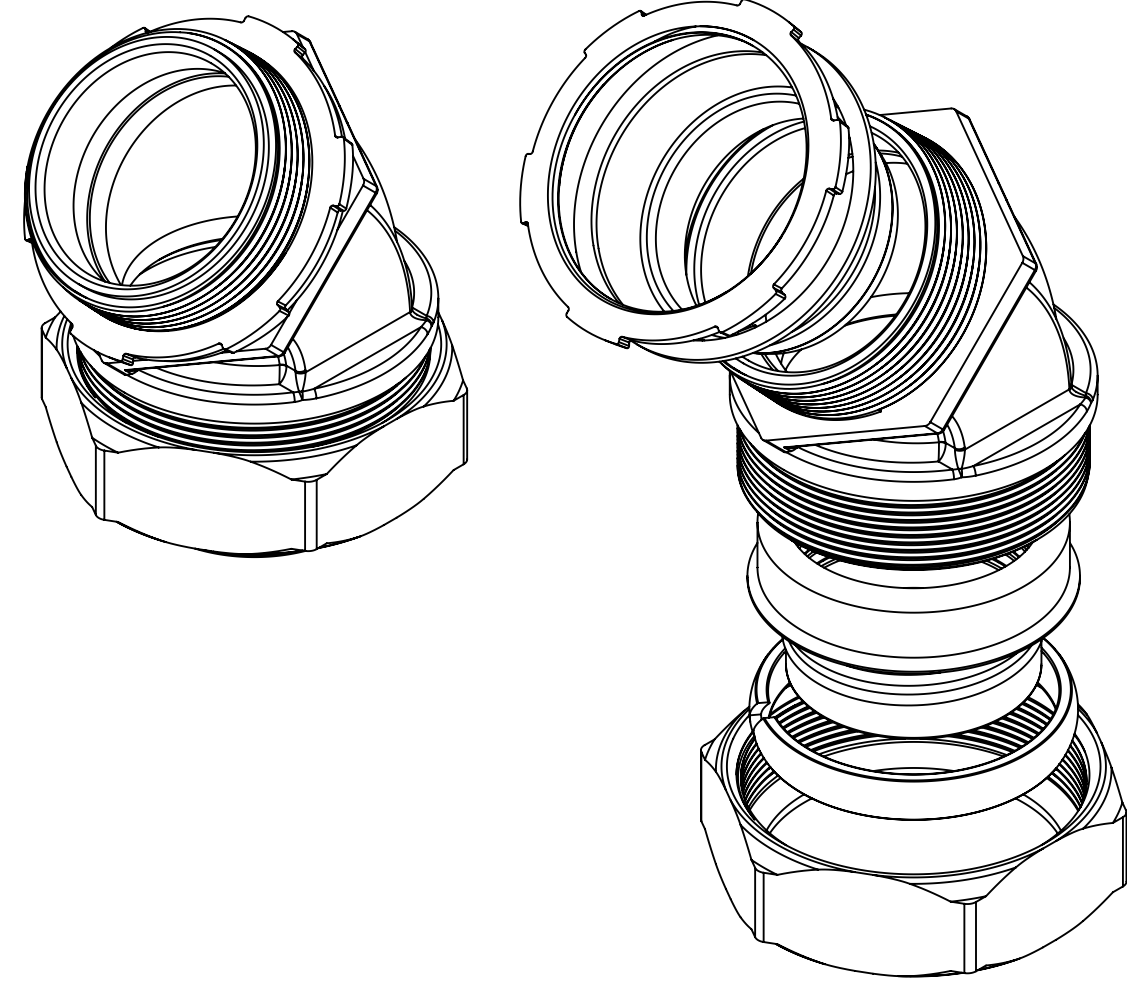
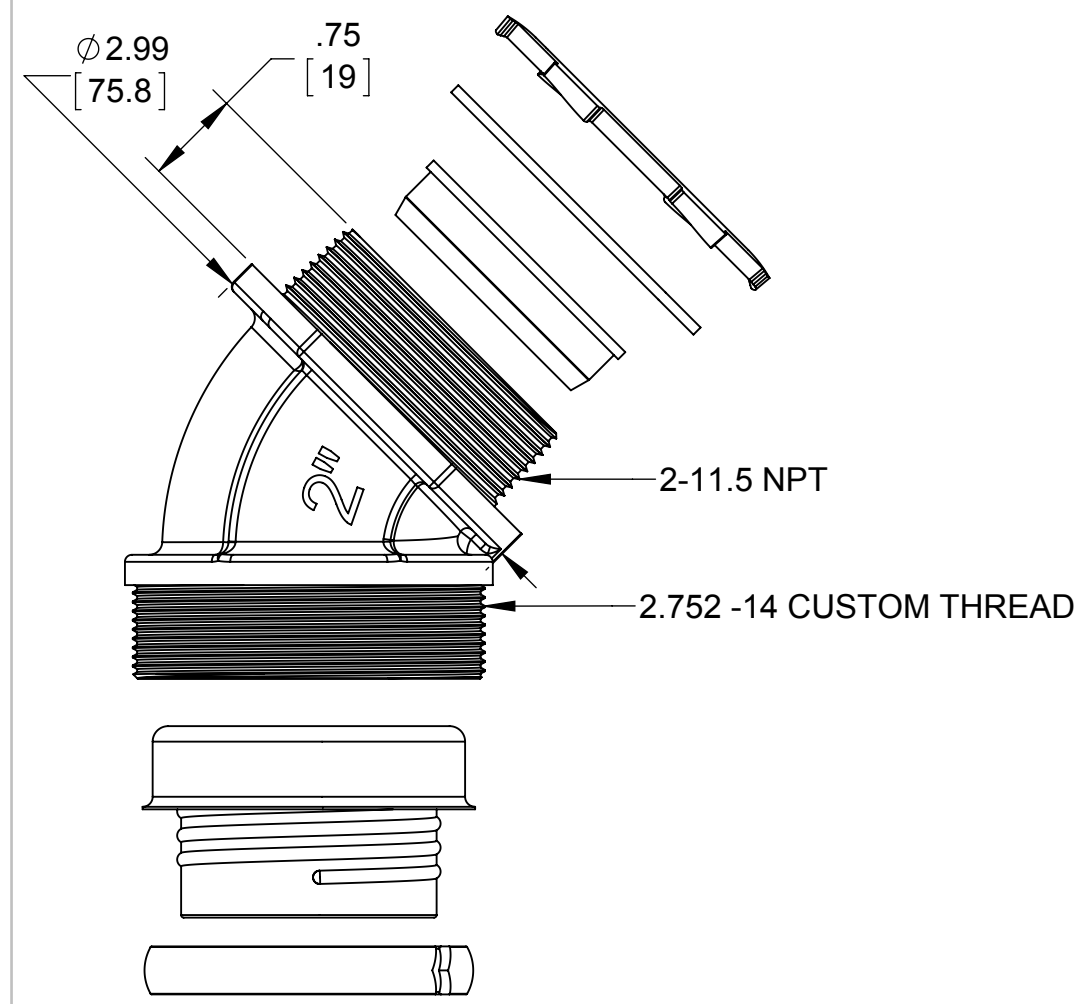


LIST OF PARTS

DESCRIPTION	MATERIAL	FINISH
45° BODY	MALEABLE IRON	GALVANIZED
FERRULE	STEEL	GALVANIZED
GLAND RING	NYLON	YELLOW
COMPRESSION NUT	MALEABLE IRON	GALVANIZED
WASHER	NYLON	YELLOW
LOCK NUT	STEEL	GALVANIZED
INSULATION BUSHING	NYLON	YELLOW



NOTES:
 1. ALL DIMENSIONS ARE IN INCHES AND [MILLIMETERS]
 2. cULus LISTED

INITIAL RELEASE	J.R.	03/17/2015
SYM.	REVISION DESCRIPTION	APP DATE

THE DESIGN AND DIMENSIONS OF THE PRODUCT SHOWN ON THIS DRAWING ARE SUBJECT TO CHANGE WITHOUT NOTICE

TITLE:
3568 2" LIQUIDTIGHT INSULATED 45° CONNECTOR

TOLERANCE UNLESS OTHERWISE SPECIFIED		RACO South Bend, Indiana	SCALE: 2:3
.XX DECIMAL ±.015	DRAWN BY: J.R.		
.XXX DECIMAL ±.005	APP. BY: M.C.		
ANGLE ±2°	DATE: 03/17/2015		