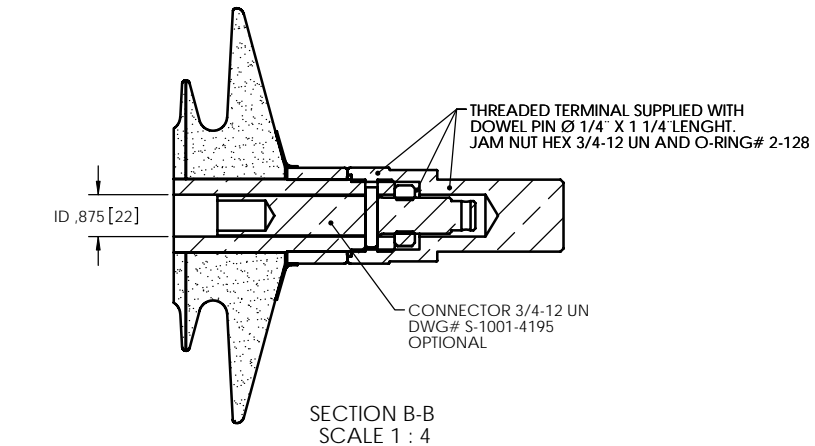
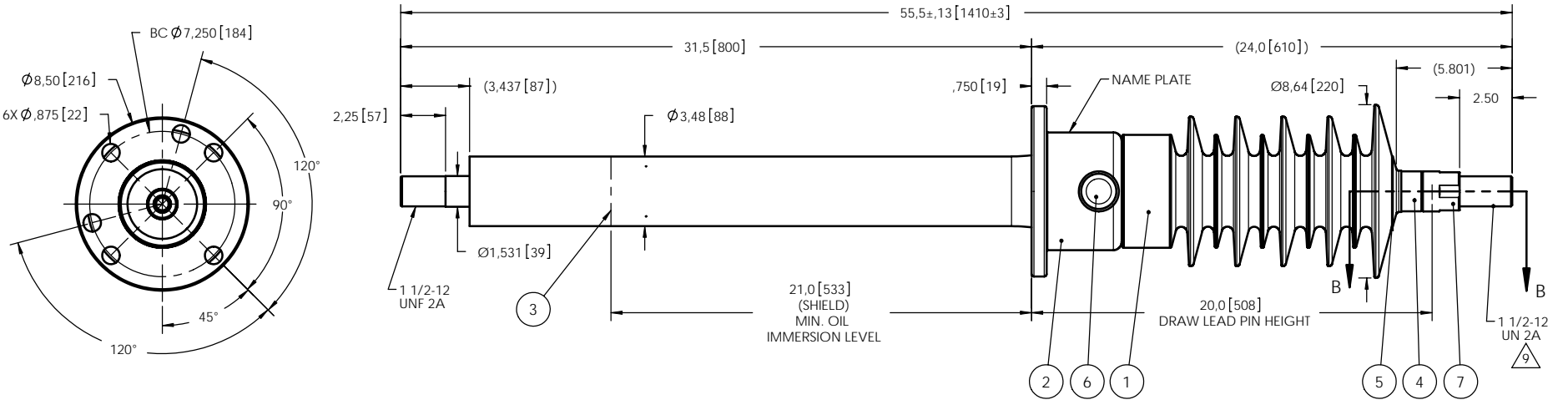


NOTES:

- 1 CREEPAGE DISTANCE: 37.27" / 947mm
- 2 ARC DISTANCE: 15.67" / 398mm
- 3 INSULATION LEVEL: 34.5/80/200kV
- 4 NOMINAL CURRENT: 400/1200A
- 5 NOMINAL VOLTAGE: 34.5kV
- 6 APPLICATION STANDARD: IEEE C57.19.01
- 7 WITHSTAND VOLTAGE AT 60 sec.: 80kV
- 8 WEIGHT: ~ 65 lbs / 29.7 Kg
- 9 SILVER PLATED TOP END, AS PER ASTM B700, TYPE 1, GRADE D, CLASS N, NO NICKEL LAYER, FROM 13 TO 20 MICROMETERS THICKNESS



ITEM NO.	QTY	DRAWING NO.	PART NO.	DESCRIPTION	NOTE / MAT'L
7	1	S-1001-4593		THREADED TERMINAL KIT	COPPER
6	1	S-1001-2022		CAPACITANCE TAP ASSEMBLY	ALUMINUM
5	1	S-1344-0162		CAP	COPPER
4	1	S-5157-4748		TUBE ASSEMBLY	COPPER
3	1	S-5157-4747		SHIELD ASSEMBLY	COPPER
2	1	S-5361-4989		FLANGE	ALUMINUM
1	1			CASTING, CYCLOALIPHATIC RESIN	EC-APG-02
PARTS LIST					

GENERAL TOLERANCES (UNLESS OTHERWISE SPECIFIED) X. ±0.125 .X ±0.094 .XX ±0.063 .XXX ±0.010 ANGLES ±0.25° RADIUS ±0.031		REPLACE: -			
REMOVE BURRS AND BREAK SHARP EDGES DIMENSIONS ARE IN INCHES (UNLESS OTHERWISE SPECIFIED)		DRAWN BY: G.OUELLETTE DATE: 2008/08/28			
TITLE: BUSHING TBI, 34.5kV, 400/1200A MODEL:200-412-1-389-01		PROJECT NO.: S-5361-4988		REVISION: NR	
SCALE: 1:8		PROJECT MANAGER:		GENERATED BY: SolidWorks 2007 SHEET: 1 of 1	

This drawing is the proprietary property of Electro Composites inc., not part of the public domain, and is issued with the express understanding and agreement that it is not to be reproduced or copied in whole or in part or issued for furnishing information to others, or used directly or indirectly, in any way detrimental to the interest of Electro Composites inc. and is to be returned upon request by Electro Composites inc. All Rights Reserved.