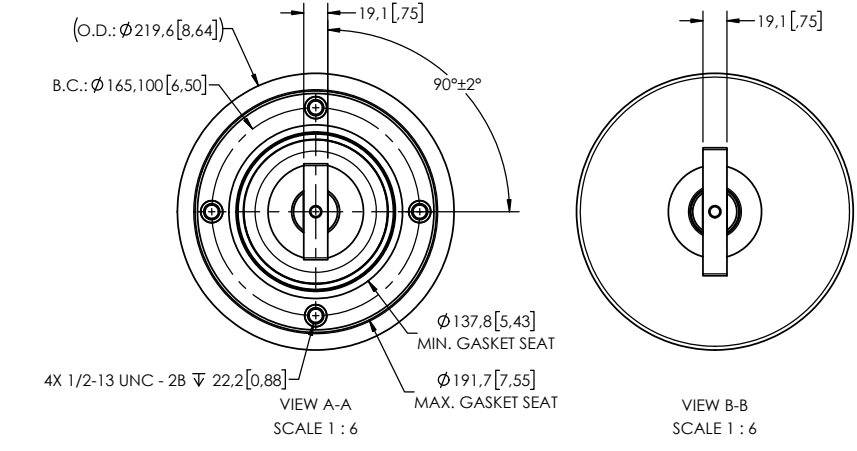
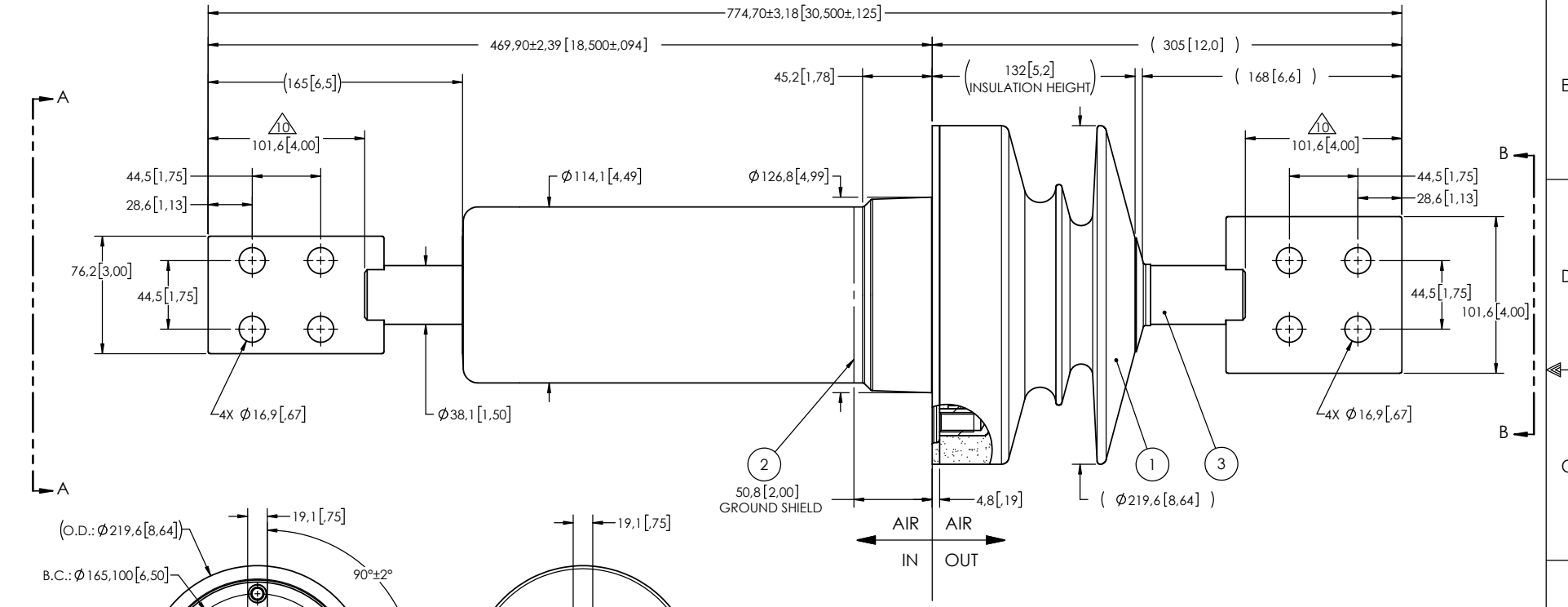


- NOTES:
- | | | | |
|---------------------------------|----------------------|-------------------|---|
| 1 CREEPAGE DISTANCE: | OUT: 304mm / 11.9" | IN: 282mm / 11.1" | Ⓐ |
| 2 ARC DISTANCE: | OUT: 186mm / 7.3" | IN: 282mm / 11.1" | |
| 3 NOMINAL VOLTAGE: | 5kV | | |
| 4 NOMINAL CURRENT: | 1200A | | |
| 5 VOLTAGE WITHSTAND, 60 sec.: | 27kV | | |
| 6 BIL : | 75kV | | |
| 7 ROUTINE TEST ACCORDING TO: | IEEE C57.19.01 | | |
| 8 MAX. TORQUE APPLIED ON BOLTS: | 40.7 N·m / 30 lbf·ft | | |
| 9 WEIGHT: | 19.5 kg / 43 lb | | |
- 10 SILVER PLATED, AS PER ASTM B700, TYPE 1, GRADE D, CLASS N.
NO NICKEL LAYER, FROM 13 TO 20 MICROMETERS THICKNESS

REVISIONS					
ZONE	REV.	DESCRIPTION	DRAWN BY	DATE	APPR.
F4	A	CREEPAGE AND ARC DISTANCE RECTIFIED	M. FORGET	2020-06-12	Y.V.



ITEM NO.	QTY	DRAWING NO.	PART NO.	DESCRIPTION	NOTE / MAT'L
3	1	S-2051-10123		ROD ASSEMBLY	COPPER
2	1	S-2051-10122		SHIELD ASSEMBLY	COPPER
1	1	S-2051-10121	-001	CASTING, CYCLOALIPHATIC RESIN	EC-APG-02

PARTS LIST

GENERAL TOLERANCES (UNLESS OTHERWISE SPECIFIED)		Electro Composites solid HV bushings solution	
X.	±3.2		
.X	±2.4	TITLE: SDC® BUSHING 5kV, 1200A MODEL: 075-012-W-394-01	
.XX	±1.6	DRAWN BY: M. FORGET DATE: 2020/04/27	
.XXX	±1.6	CHECK BY:	
.XXX	±0.8	PROJECT NO.:	
ANGLES	±0.25°	PROJECT MANAGER:	
RADIUS	±1.6	SCALE: 1:4	
REMOVE BURRS AND BREAK SHARP EDGES		CAGE CODE: S-2051-10121	
DIMENSIONS ARE IN MILLIMETERS (UNLESS OTHERWISE SPECIFIED)		DRAWING NO. S-2051-10121	
		REVISION: A	
		GENERATED BY: SolidWorks 2013	
		SHEET: 1 of 1	

This drawing is the proprietary property of Electro Composites (2008) ULC, not part of the public domain, and is issued with the express understanding and agreement that it is not to be reproduced or copied in whole or in part or issued for furnishing information to others, or used directly or indirectly, in any way detrimental to the interest of Electro Composites (2008) ULC and is to be returned upon request by Electro Composites (2008) ULC. All Rights Reserved.