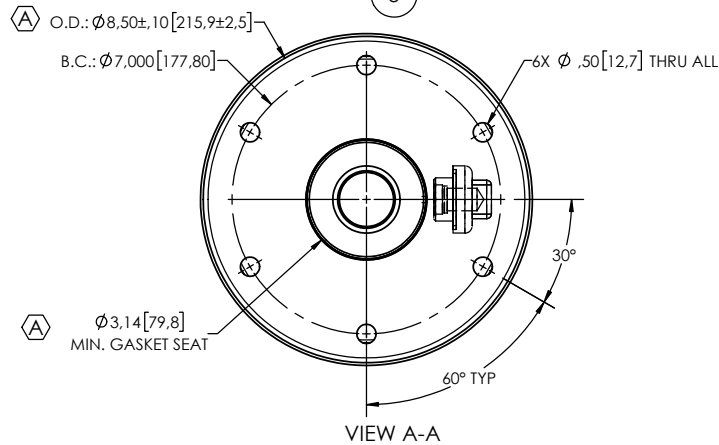
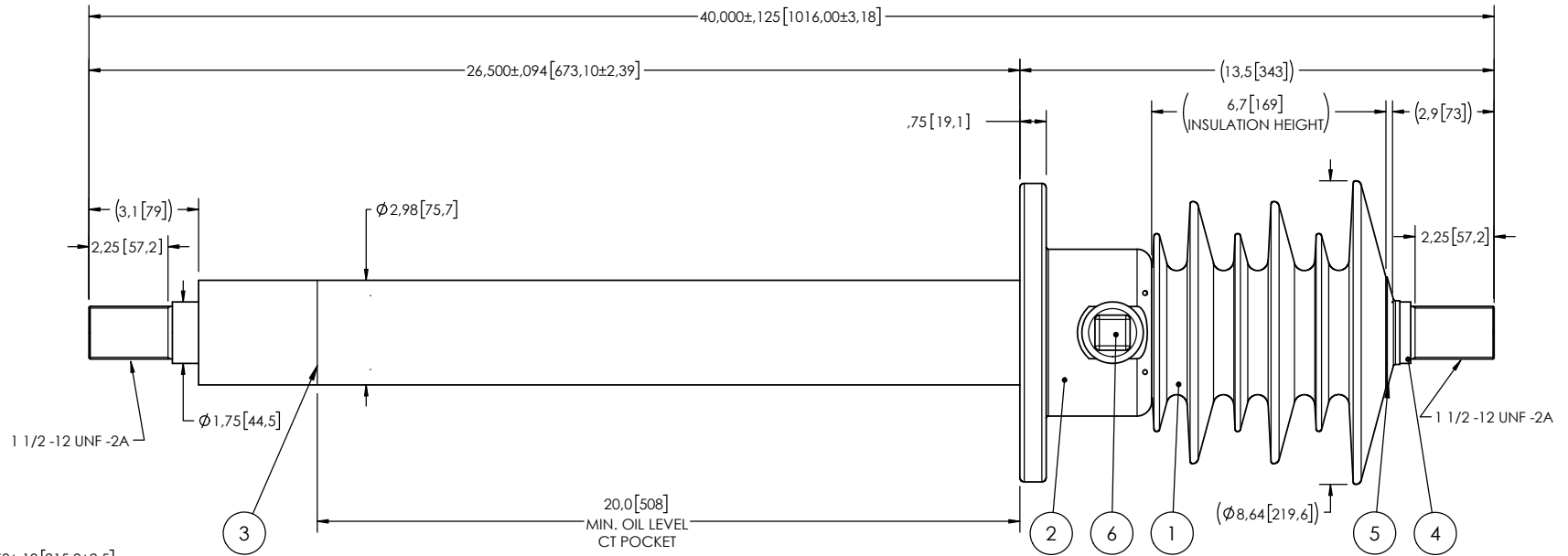


NOTES:

- 1 CREEPAGE DISTANCE: 22.1" / 561mm
- 2 ARC DISTANCE: 9.8" / 249mm
- 3 NOMINAL VOLTAGE: 15kV
- 4 NOMINAL CURRENT: 2000A
- 5 VOLTAGE WITHSTAND, 60 sec.: 50kV
- 6 BIL: 110kV
- 7 ROUTINE TEST ACCORDING TO: IEEE C57.19.01
- 8 MAX. TORQUE APPLIED ON FLANGE BOLTS: 40 lbf·ft / 54.2 N·m
- 9 WEIGHT: 53 lb / 24 kg

REVISIONS					
ZONE	REV.	DESCRIPTION	DRAWN BY	DATE	APPR.
A1		ADD THE "SDC" DESIGNATION TO THE BUSHING NAME.	M. FORGET	2020-02-05	Y.V.
A6		ADD THE MINIMUM GASKET SEAT DIMENSION.			
B4	A	CHANGE SHIELD ASSEMBLY FROM S-5266-4875 TO S-5266-10089			
C6		INCREASE THE TOLERANCES ON THE FLANGE OUTSIDE DIAMETER.			



This drawing is the proprietary property of Electro Composites (2008) ULC, not part of the public domain, and is issued with the express understanding and agreement that it is not to be reproduced or copied in whole or in part or issued for furnishing information to others, or used directly or indirectly, in any way detrimental to the interest of Electro Composites (2008) ULC and is to be returned upon request by Electro Composites (2008) ULC. All Rights Reserved.

ITEM NO.	QTY	DRAWING NO.	PART NO.	DESCRIPTION	NOTE / MAT'L
6	1	S-1001-2022		CAPACITANCE TAP ASSEMBLY	ALUMINUM
5	1	S-1600-0587-0		CAP	COPPER
4	1	S-5266-4876		ROD ASSEMBLY	COPPER
3	1	S-5266-10089		SHIELD ASSEMBLY	COPPER
2	1	S-5266-4874		FLANGE	ALUMINUM
1	1	S-5266-4873	-001	CASTING, CYCLOALIPHATIC RESIN	EC-APG-02

(A)

PARTS LIST

GENERAL TOLERANCES (UNLESS OTHERWISE SPECIFIED)

- X. ±0.125
- .X ±0.094
- .XX ±0.063
- .XXX ±0.031
- ANGLES ±0.25°
- RADIUS ±0.031

REMOVE BURRS AND BREAK SHARP EDGES

DIMENSIONS ARE IN INCHES (UNLESS OTHERWISE SPECIFIED)

Electro Composites
solid HV bushings solution

TITLE: SDC® BUSHING 15kV, 2000A (A)
MODEL: 110-020-T-412-00

DRAWN BY: J. CLICHE	DATE: 2008/07/07	FORMAT: A	CAGE CODE	DRAWING NO.: S-5266-4873	REVISION: A
CHECK BY:		PROJECT ENG.:		SCALE: 1:5	GENERATED BY: SolidWorks 2013
PROJECT MGR.:				SHEET: 1 of 1	