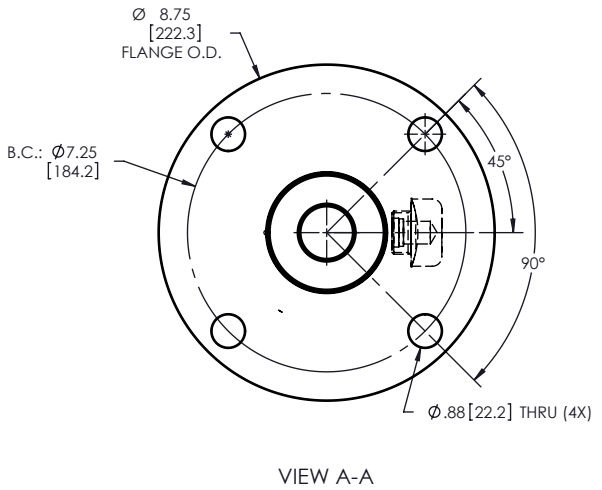
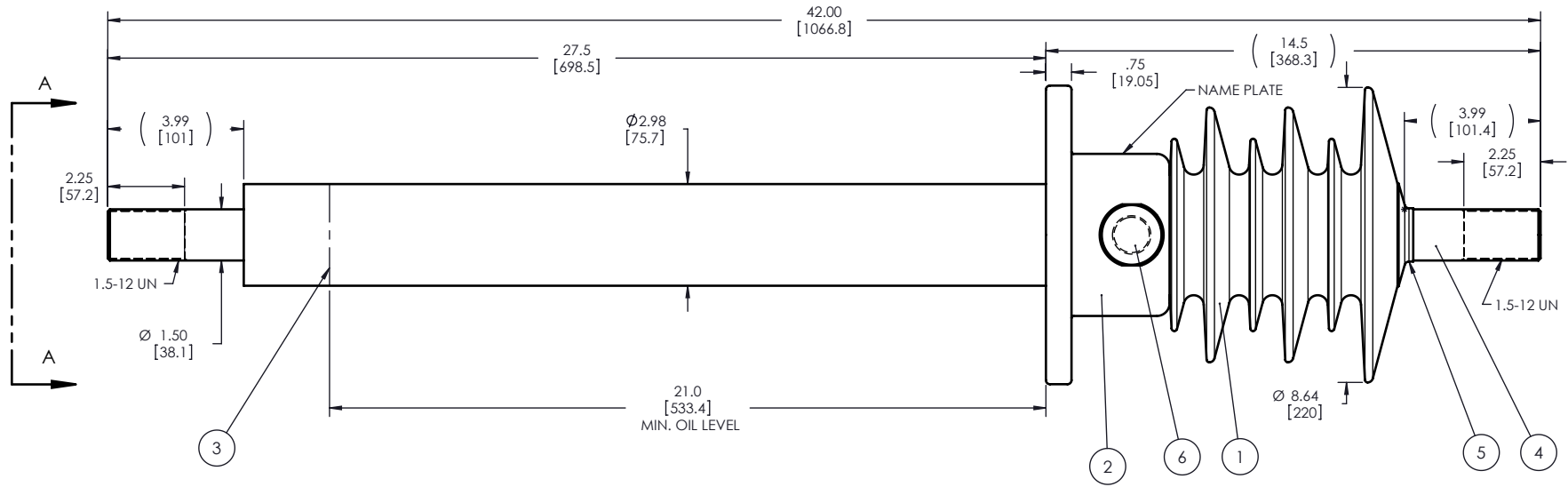


NOTES:

- 1 CREEPAGE DISTANCE: 22.1" / 561mm
- 2 ARC DISTANCE: 9.8" / 249mm
- 3 INSULATION LEVEL: 15/50/110kV
- 4 NOMINAL CURRENT: 1200A
- 5 NOMINAL VOLTAGE: 15kV
- 6 APPLICATION STANDARD: IEEE C57.19.01
- 7 WITHSTAND VOLTAGE AT 60 sec.: 50kV
- 8 WEIGHT: ~ 42.6 lbs / 19.31 Kg



ITEM NO.	QTY	DRAWING NO.	PART NO.	DESCRIPTION	NOTE / MATL
6	1	S-1001-2022		CAPACITANCE TAP ASSEMBLY	ALUMINUM
5	1	S-1001-0007		CAP	COPPER
4	1	S-5422-4962		ROD ASSEMBLY	COPPER
3	1	S-5266-4875		SHIELD ASSEMBLY	COPPER
2	1	S-5422-4961		FLANGE	ALUMINUM
1	1	S-5422-4960		CASTING, CYCLOALIPHATIC RESIN	EC-APG-02
PARTS LIST					

GENERAL TOLERANCES (UNLESS OTHERWISE SPECIFIED) X. ±0.125 .X ±0.094 .XX ±0.063 .XXX ±0.010 ANGLES ±0.25° RADIUS ±0.031		REPLACE: DRAWN BY: J. Cliche DATE: 2008/08/12	electrocomposites division of eci	
REMOVE BURRS AND BREAK SHARP EDGES DIMENSIONS ARE IN INCHES (UNLESS OTHERWISE SPECIFIED)		PROJECT ENG.: PROJECT MANAGER:	TITLE: BUSHING 15kV, 1200A MODEL: 110-012-T-412-01	
		CHECK BY: PROJECT NO.:	SCALE: 1:5	DRAWING NO.: S-5422-4960 REVISION: NR
		GENERATED BY: SolidWorks 2007	SHEET: 1 of 1	

This drawing is the proprietary property of Electro Composites inc., not part of the public domain, and is issued with the express understanding and agreement that it is not to be reproduced or copied in whole or in part or issued for furnishing information to others, or used directly or indirectly, in any way detrimental to the interest of Electro Composites inc. and is to be returned upon request by Electro Composites inc. All Rights Reserved.