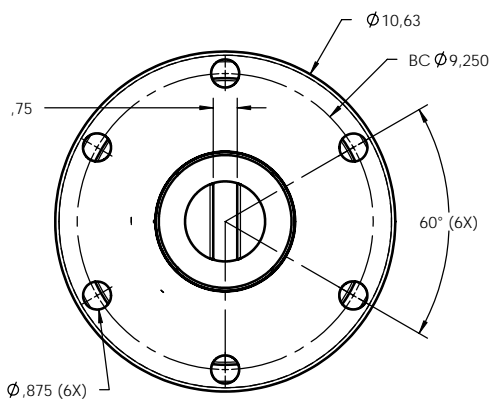
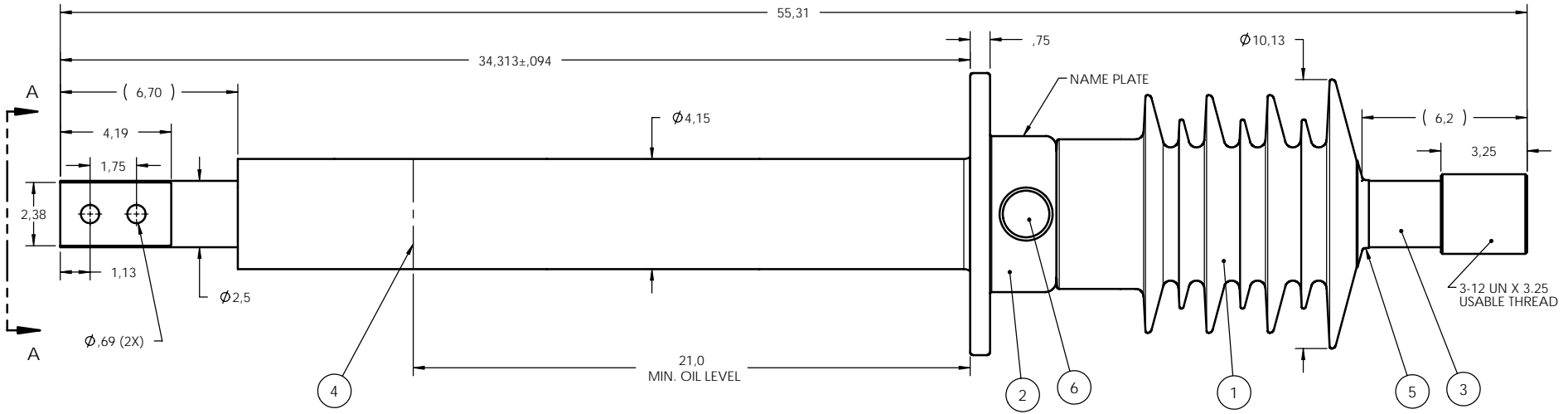


NOTES:

- 1 CREEPAGE DISTANCE: 30.2" / 768mm
- 2 ARC DISTANCE: 14.0" / 356mm
- 3 INSULATION LEVEL: 25/60/150kV
- 4 NOMINAL CURRENT: 3000A
- 5 NOMINAL VOLTAGE: 25kV
- 6 APPLICATION STANDARD: IEEE C57.19.00
- 7 WITHSTAND VOLTAGE AT 60 sec.: 60kV
- 8 WEIGHT: 133.6 lbs / 60.60 Kg



VIEW A-A

| ITEM NO. | QTY | DRAWING NO. | PART NO. | DESCRIPTION | NOTE / MAT'L |
|------------|-----|-----------------|----------|-------------------------------|--------------|
| 6 | 1 | S-1001-2022 | | CAPACITANCE TAP ASSEMBLY | ALUMINUM |
| 5 | 1 | S-1001-1267-010 | | CAP | COPPER |
| 4 | 1 | S-5392-4947 | | SHIELD ASSEMBLY | COPPER |
| 3 | 1 | S-5392-4946 | | ROD ASSEMBLY | COPPER |
| 2 | 1 | S-5392-4945 | | FLANGE | ALUMINUM |
| 1 | 1 | S-5392-4944 | | CASTING, CYCLOALIPHATIC RESIN | EC-APG-02 |
| PARTS LIST | | | | | |

| | | | | |
|---|--|--|---|--|
| <p>GENERAL TOLERANCES (UNLESS OTHERWISE SPECIFIED)</p> <p>X. ±0.125 .X ±0.094 .XX ±0.063 .XXX ±0.010 ANGLES ±0.25° RADIUS ±0.031</p> <p>REMOVE BURRS AND BREAK SHARP EDGES</p> <p>DIMENSIONS ARE IN INCHES (UNLESS OTHERWISE SPECIFIED)</p> | | <p>REPLACE:</p> <p>GE 7B552</p> | | |
| <p>DRAWN BY: Y. Vermette</p> <p>CHECK BY:</p> <p>PROJECT ENG.:</p> <p>PROJECT MANAGER:</p> | | <p>DATE: 2008/07/17</p> | <p>TITLE: BUSHING 25kV, 3000A MODEL: 150-030-T-418-00</p> | |
| <p>FORMAT: A</p> <p>SCALE: 1:6</p> | | <p>CAGE CODE:</p> <p>DRAWING NO.: S-5392-4944</p> <p>GENERATED BY: SolidWorks 2007</p> | <p>REVISION: NR</p> <p>SHEET: 1 of 1</p> | |

This drawing is the proprietary property of Electro Composites inc., not part of the public domain, and is issued with the express understanding and agreement that it is not to be reproduced or copied in whole or in part or issued for furnishing information to others, or used directly or indirectly, in any way detrimental to the interest of Electro Composites inc. and is to be returned upon request by Electro Composites inc. All Rights Reserved.