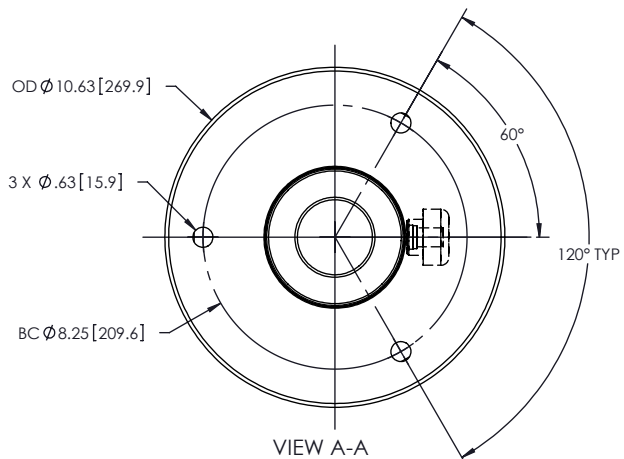
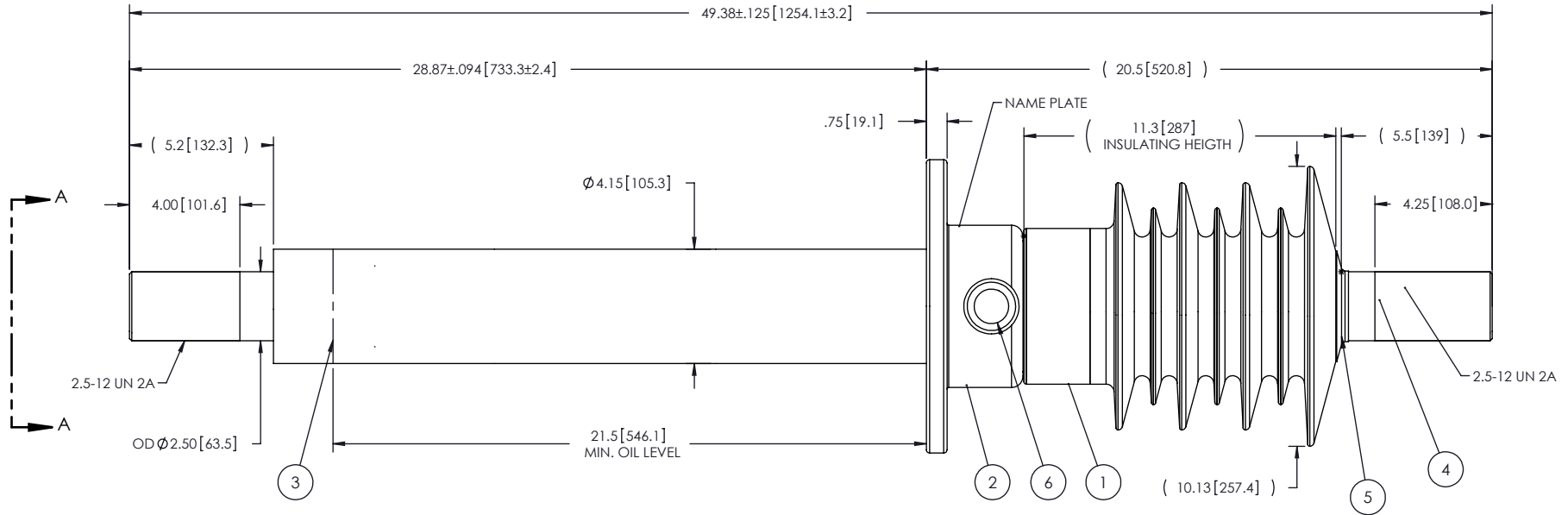


NOTES:

- 1 CREEPAGE DISTANCE: 30.1" / 764mm
- 2 ARC DISTANCE: 14.4" / 366mm
- 3 NOMINAL VOLTAGE: 15kV
- 4 NOMINAL CURRENT: 2000A
- 5 WITHSTAND VOLTAGE AT 60 sec.: 50kV
- 6 BIL 110KV
- 7 APPLICATION STANDARD: IEEE C57.19.01
- 8 WEIGHT: 121.5lbs / 55 Kg

REVISIONS					
ZONE	REV.	DESCRIPTION	DATE	DRAWN BY	APPR



ITEM NO.	QTY	DRAWING NO.	PART NO.	DESCRIPTION	NOTE / MATL
6	1	S-1001-2022		CAPACITANCE TAP ASSEMBLY	ALUMINUM
5	1	S-1344-0162		CAP	COPPER
4	1	S-5068-5256		ROD ASSEMBLY	COPPER
3	1	S-5068-3721		SHIELD ASSEMBLY	COPPER
2	1	S-5068-5199		FLANGE	ALUMINUM
1	1	S-5068-5114		CASTING, CYCLOALIPHATIC RESIN	EC-APG-02

PARTS LIST

GENERAL TOLERANCES (UNLESS OTHERWISE SPECIFIED)  X. ±0.125 .X ±0.094 .XX ±0.063 .XXX ±0.010 ANGLES ±0.25° RADIUS ±0.031	REPLACE:  WESTINGHOUSE 4B6016	<b>ElectroComposites</b> POWER SYSTEMS solid HV bushings solution	
	REMOVE BURRS AND BREAK SHARP EDGES  DIMENSIONS ARE IN INCHES (UNLESS OTHERWISE SPECIFIED)	DRAWN BY: J.N.PILOTTE CHECK BY: PROJECT ENG.: PROJECT MANAGER:	DATE: 2009/02/24 FORMAT: A SCALE: 1:7

This drawing is the proprietary property of Electro Composites (2008) ULC, not part of the public domain, and is issued with the express understanding and agreement that it is not to be reproduced or copied in whole or in part or issued for furnishing information to others, or used directly or indirectly, in any way detrimental to the interest of Electro Composites (2008) ULC and is to be returned upon request by Electro Composites (2008) ULC. All Rights Reserved.