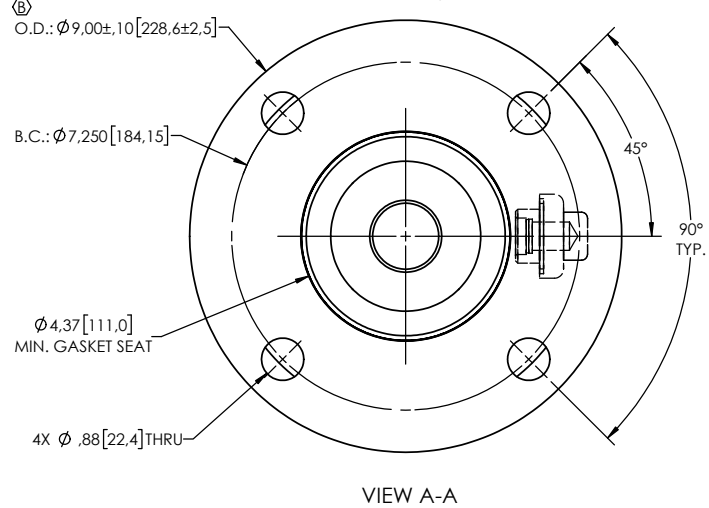
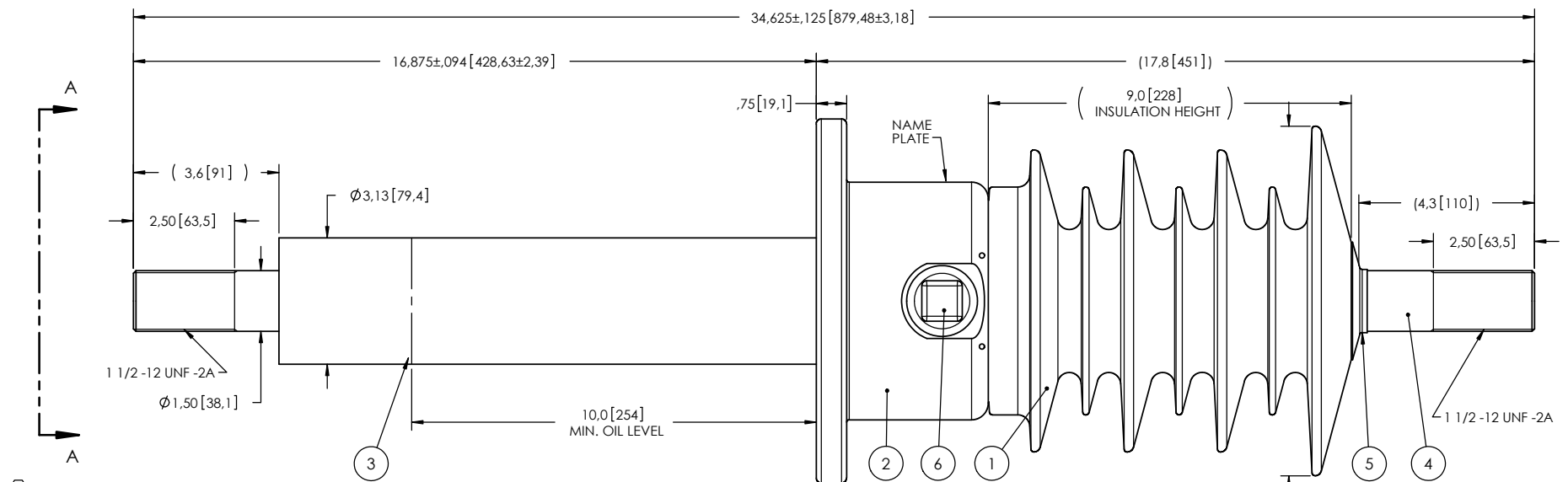


- NOTES:
- 1 CREEPAGE DISTANCE: 26.9" / 683mm
 - 2 ARC DISTANCE: 11.5" / 292mm
 - 3 NOMINAL VOLTAGE: 15kV
 - 4 NOMINAL CURRENT: 1200A
 - 5 VOLTAGE WITHSTAND, 60 sec.: 50kV
 - 6 BIL : 110kV
 - 7 ROUTINE TEST ACCORDING TO: CSA C88.1-96
 - 8 MAX. TORQUE APPLIED ON FLANGE BOLTS: 40 lbf · ft / 54.2 N · m
 - 9 WEIGHT: 48 lb / 21.8 kg

REVISIONS					
ZONE	REV.	DESCRIPTION	DRAWN BY	DATE	APPR.
	A	GENERAL UPDATE	A.SAVARD	2014-05-14	Y.V.
C6	B	INCREASE THE TOLERANCES ON THE FLANGE OUTSIDE DIAMETER.	M. FORGET	2020-08-11	J.V.



This drawing is the proprietary property of Electro Composites (2008) ULC, not part of the public domain, and is issued with the express understanding and agreement that it is not to be reproduced or copied in whole or in part or issued for furnishing information to others, or used directly or indirectly, in any way detrimental to the interest of Electro Composites (2008) ULC and is to be returned upon request by Electro Composites (2008) ULC. All Rights Reserved.

ITEM NO.	QTY	DRAWING NO.	PART NO.	DESCRIPTION	NOTE / MAT'L
6	1	S-1001-2022		CAPACITANCE TAP ASSEMBLY	ALUMINUM
5	1	S-1001-0007		CAP	COPPER
4	1	S-5897-5505		ROD ASSEMBLY	COPPER
3	1	S-5897-5504		SHIELD ASSEMBLY	COPPER
2	1	S-4930-4424		FLANGE	ALUMINUM
1	1	S-5897-5503	-001	CASTING, CYCLOALIPHATIC RESIN	EC-APG-02

PARTS LIST					
GENERAL TOLERANCES (UNLESS OTHERWISE SPECIFIED) X. ±0.125 .X ±0.094 .XX ±0.063 .XXX ±0.031 ANGLES ±0.25° RADIUS ±0.031			Electro Composites solid HV bushings solution		TITLE: SDC® BUSHING 15kV, 1200A MODEL: 110-012-T-438-01
REMOVE BURRS AND BREAK SHARP EDGES DIMENSIONS ARE IN INCHES (UNLESS OTHERWISE SPECIFIED)		DRAWN BY: J. Cliche CHECK BY: PROJECT ENG.: PROJECT MANAGER:	DATE: 2009/08/24 SCALE: 1:4	FORMAT: A CAGE CODE: DRAWING NO.: S-5897-5503 GENERATED BY: SolidWorks 2013	