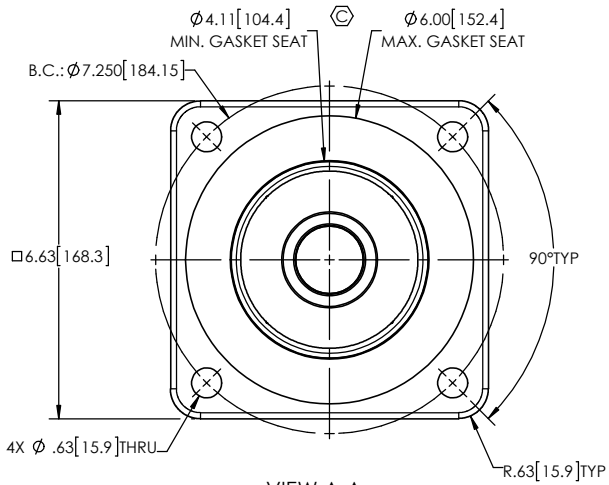
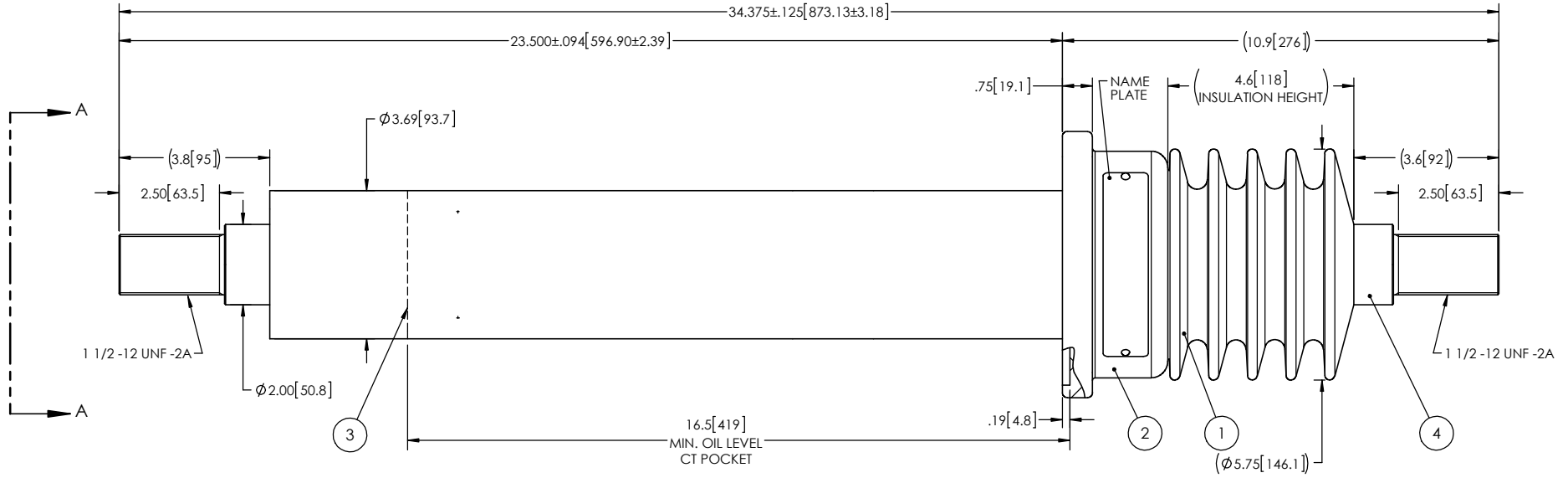


- NOTES:
- 1 CREEPAGE DISTANCE: 12.5" / 318mm
 - 2 ARC DISTANCE: 6.3" / 160mm
 - 3 NOMINAL VOLTAGE: 15kV
 - 4 NOMINAL CURRENT: 2000A
 - 5 VOLTAGE WITHSTAND, 60 sec.: 50kV
 - 6 BIL: 110KV
 - 7 ROUTINE TEST ACCORDING TO: IEEE C57.19.01
 - 8 MAX. TORQUE APPLIED ON FLANGE BOLTS: 40 lbf·ft / 54.2 N·m
 - 9 WEIGHT: 52 lb / 23.6 kg

ZONE		REV.	DESCRIPTION	DRAWN BY	DATE	APPR.
			REVISIONS			
B3	A	CORRECTION IN THE PARTS LIST		J.N.PILOTTE	2009-04-09	Y.V.
C5	B	UPDATE OF THE DRAWING + ROD CHANGE FROM Ø1.50" TO Ø2.00"		J. CLICHE	2012-12-04	Y.V.
C5	C	ADD THE MINIMUM AND MAXIMUM GASKET SEAT DIMENSION.		M. FORGET	2019-10-08	Y.V.



This drawing is the proprietary property of Electro Composites (2008) ULC, not part of the public domain, and is issued with the express understanding and agreement that it is not to be reproduced or copied in whole or in part or issued for furnishing information to others, or used directly or indirectly, in any way detrimental to the interest of Electro Composites (2008) ULC and is to be returned upon request by Electro Composites (2008) ULC. All Rights Reserved.

ITEM NO.	QTY	DRAWING NO.	PART NO.	DESCRIPTION	NOTE / MAT'L
4	1	S-5540-5347		ROD ASSEMBLY	COPPER
3	1	S-5540-5346		SHIELD ASSEMBLY	COPPER
2	1	S-5540-5345		FLANGE	ALUMINUM
1	1	S-5540-5344	-001	CASTING, CYCLOALIPHATIC RESIN	EC-APG-02

PARTS LIST

GENERAL TOLERANCES (UNLESS OTHERWISE SPECIFIED) X. ±.125 .X ±.094 .XX ±.063 .XXX ±.031 ANGLES ±.25° RADIUS ±.031		REPLACE: DRAWN BY: J.N.PILOTTE DATE: 2009/02/02 CHECK BY: _____ PROJECT ENG.: _____ PROJECT MANAGER: _____		Electro Composites™ solid HV bushings solution TITLE: SDC® BUSHING 15kV, 2000A MODEL: 110-020-T-453-00	
REMOVE BURRS AND BREAK SHARP EDGES DIMENSIONS ARE IN INCHES (UNLESS OTHERWISE SPECIFIED)		SCALE: 1:4	CAGE CODE: _____ DRAWING NO.: S-5540-5344	GENERATED BY: SolidWorks 2012	SHEET: 1 of 1