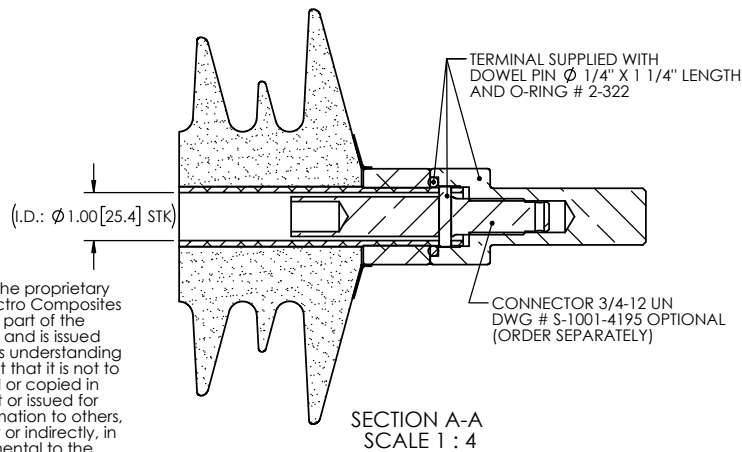
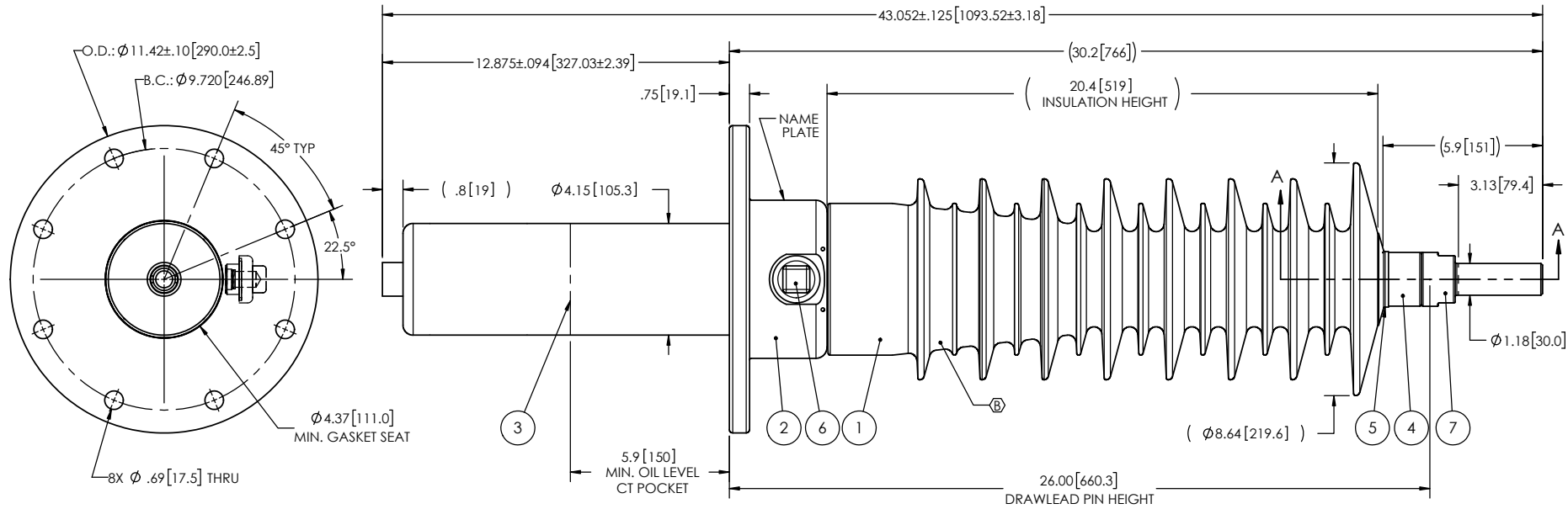


- NOTES:
- 1 CREEPAGE DISTANCE: 51.9" / 1320mm
 - 2 ARC DISTANCE: 22.6" / 574mm [ⓑ]
 - 3 NOMINAL VOLTAGE: 52kV
 - 4 NOMINAL CURRENT: 630A
 - 5 VOLTAGE WITHSTAND, 60 sec.: 95kV
 - 6 BIL: 250kV
 - 7 ROUTINE TEST ACCORDING TO: IEC 60137
 - 8 MAX. TORQUE APPLIED ON FLANGE BOLTS: 40 lbf·ft / 54.2 N·m
 - 9 WEIGHT: 55 lb / 24.9 kg

REVISIONS					
ZONE	REV.	DESCRIPTION	DRAWN BY	DATE	APPR.
B4	A	THE MATERIAL OF THE TUBE ASSEMBLY (-004) AND THE CAP (-005) CHANGE FOR ALUMINUM	J. CLICHE	2014-04-10	J.V.
C3, F5	B	ADD SHEDS, INCREASE CREEPAGE AND ARC DISTANCE ACCORDINGLY	M. FORGET	2023-06-07	J.V.



ITEM NO.	QTY	DRAWING NO.	PART NO.	DESCRIPTION	NOTE / MAT'L
7	1	S-5382-5047-0		THREADED TERMINAL KIT	COPPER
6	1	S-1001-2022		CAPACITANCE TAP ASSEMBLY	ALUMINUM
5	1	S-1344-0162-1		CAP	ALUMINUM
4	1	S-5569-5244		TUBE ASSEMBLY	ALUMINUM
3	1	S-5569-5243		SHIELD ASSEMBLY	COPPER
2	1	S-5382-5035		FLANGE	ALUMINUM
1	1	S-5569-5241	-001	CASTING CYCLOALIPHATIC RESIN	EC-APG-02

PARTS LIST

GENERAL TOLERANCES (UNLESS OTHERWISE SPECIFIED)

X.	± 0.125
.X	± 0.094
.XX	± 0.063
.XXX	± 0.031
ANGLES	$\pm 0.25^\circ$
RADIUS	± 0.031

REMOVE BURRS AND BREAK SHARP EDGES

DIMENSIONS ARE IN INCHES (UNLESS OTHERWISE SPECIFIED)

ElectroComposites
solid HV bushings solution

TITLE: SDC[®] BUSHING 52kV, 630A
MODEL: 250-006-T-454-00

DRAWN BY: J.N.PILOTTE DATE: 2009/02/12

CHECK BY:

PROJECT ENG.:

PROJECT MANAGER:

FORMAT: A

CAGE CODE:

DRAWING NO.:

S-5569-5241

REVISION: B

SCALE: 1:6



GENERATED BY: SolidWorks 2022

SHEET: 1 of 1

This drawing is the proprietary property of Electro Composites (2008) ULC, not part of the public domain, and is issued with the express understanding and agreement that it is not to be reproduced or copied in whole or in part or issued for furnishing information to others, or used directly or indirectly, in any way detrimental to the interest of Electro Composites (2008) ULC and is to be returned upon request by Electro Composites (2008) ULC. All Rights Reserved.