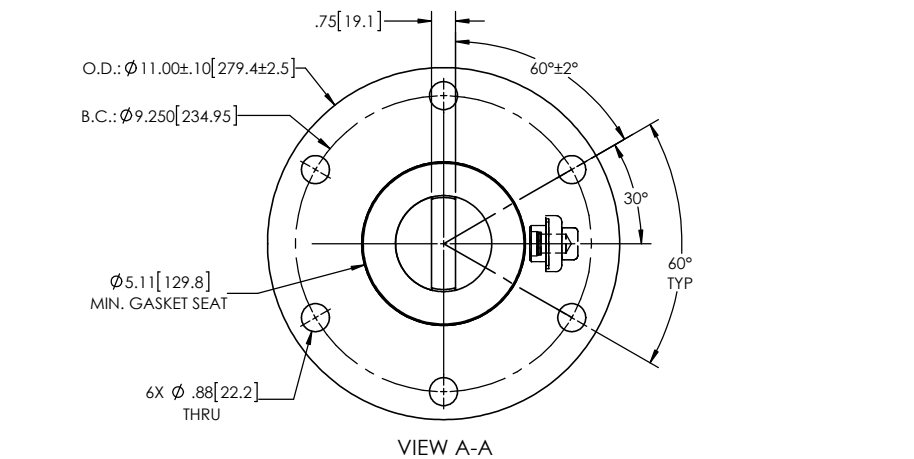
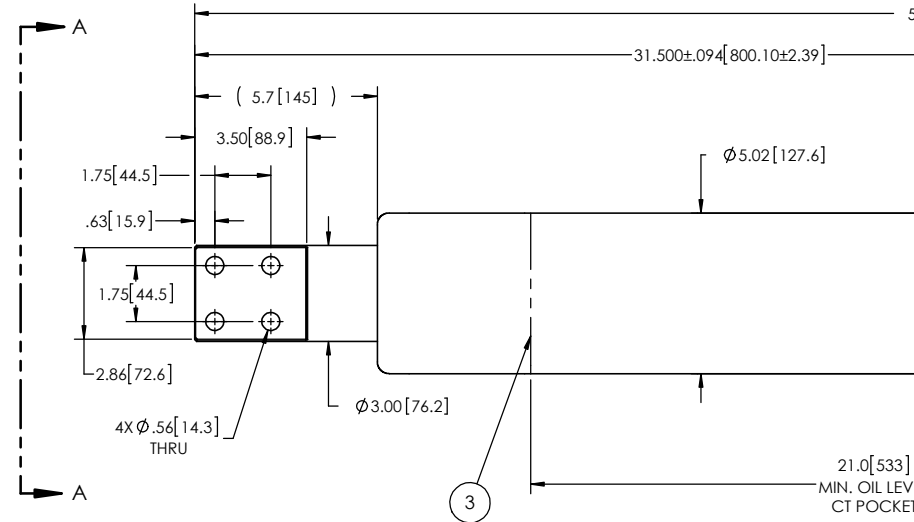
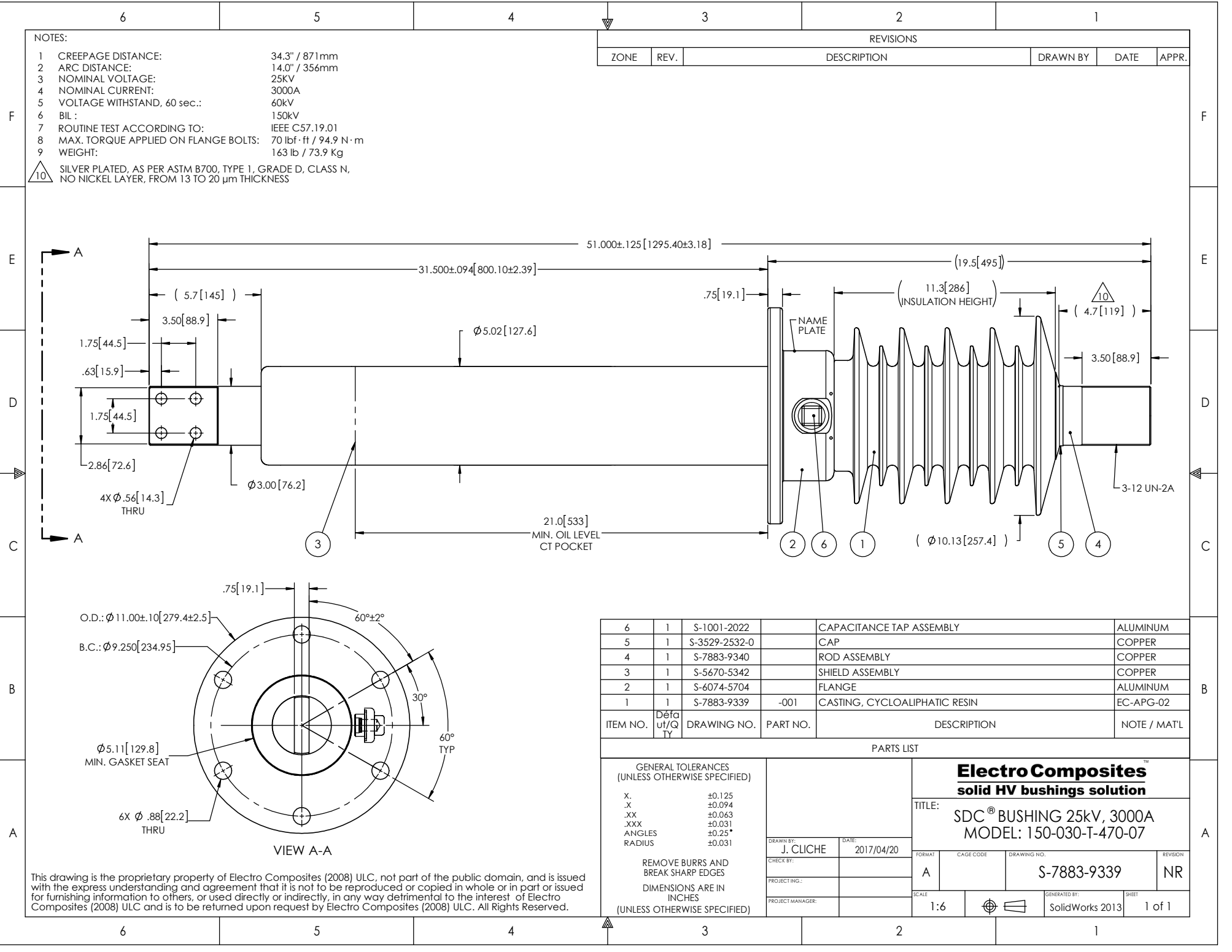


- NOTES:
- 1 CREEPAGE DISTANCE: 34.3" / 871mm
 - 2 ARC DISTANCE: 14.0" / 356mm
 - 3 NOMINAL VOLTAGE: 25KV
 - 4 NOMINAL CURRENT: 3000A
 - 5 VOLTAGE WITHSTAND, 60 sec.: 60kV
 - 6 BIL : 150kV
 - 7 ROUTINE TEST ACCORDING TO: IEEE C57.19.01
 - 8 MAX. TORQUE APPLIED ON FLANGE BOLTS: 70 lbf·ft / 94.9 N·m
 - 9 WEIGHT: 163 lb / 73.9 Kg
- △10 SILVER PLATED, AS PER ASTM B700, TYPE 1, GRADE D, CLASS N, NO NICKEL LAYER, FROM 13 TO 20 μm THICKNESS

REVISIONS					
ZONE	REV.	DESCRIPTION	DRAWN BY	DATE	APPR.



This drawing is the proprietary property of Electro Composites (2008) ULC, not part of the public domain, and is issued with the express understanding and agreement that it is not to be reproduced or copied in whole or in part or issued for furnishing information to others, or used directly or indirectly, in any way detrimental to the interest of Electro Composites (2008) ULC and is to be returned upon request by Electro Composites (2008) ULC. All Rights Reserved.

ITEM NO.	Defa ut/Q TY	DRAWING NO.	PART NO.	DESCRIPTION	NOTE / MAT'L
6	1	S-1001-2022		CAPACITANCE TAP ASSEMBLY	ALUMINUM
5	1	S-3529-2532-0		CAP	COPPER
4	1	S-7883-9340		ROD ASSEMBLY	COPPER
3	1	S-5670-5342		SHIELD ASSEMBLY	COPPER
2	1	S-6074-5704		FLANGE	ALUMINUM
1	1	S-7883-9339	-001	CASTING, CYCLOALIPHATIC RESIN	EC-APG-02

Electro Composites™
solid HV bushings solution

TITLE: SDC® BUSHING 25kV, 3000A
MODEL: 150-030-T-470-07

GENERAL TOLERANCES (UNLESS OTHERWISE SPECIFIED)

X.	±0.125
.X	±0.094
.XX	±0.063
.XXX	±0.031
ANGLES	±0.25°
RADIUS	±0.031

REMOVE BURRS AND BREAK SHARP EDGES

DIMENSIONS ARE IN INCHES (UNLESS OTHERWISE SPECIFIED)

DRAWN BY: J. CLICHE DATE: 2017/04/20

CHECK BY:

PROJECT ENG.:

PROJECT MANAGER:

SCALE: 1:6

GENERATED BY: SolidWorks 2013 SHEET: 1 of 1

FORMAT: A CAGE CODE: S-7883-9339 DRAWING NO.: S-7883-9339 REVISION: NR