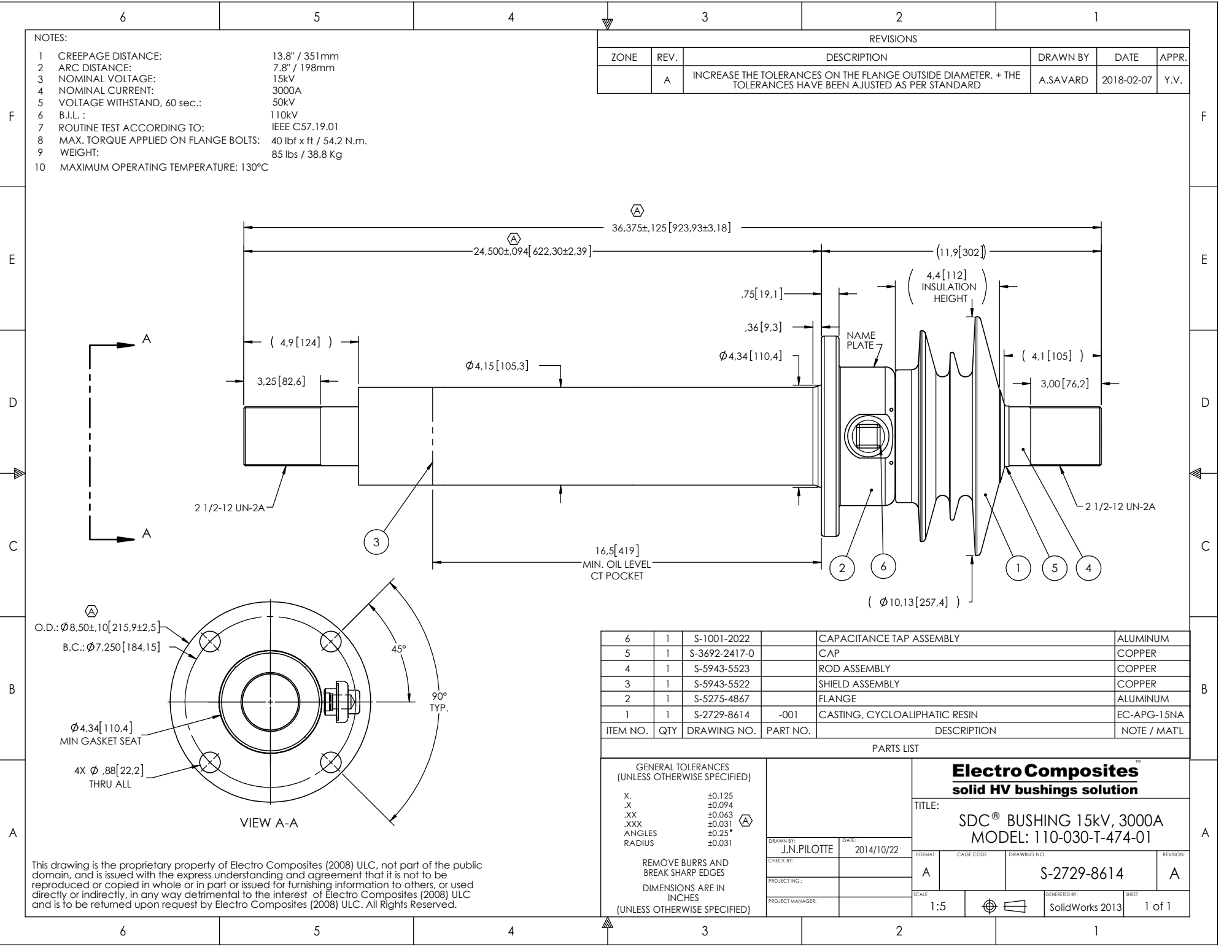


- NOTES:
- 1 CREEPAGE DISTANCE: 13.8" / 351mm
  - 2 ARC DISTANCE: 7.8" / 198mm
  - 3 NOMINAL VOLTAGE: 15kV
  - 4 NOMINAL CURRENT: 3000A
  - 5 VOLTAGE WITHSTAND, 60 sec.: 50kV
  - 6 B.I.L. : 110kV
  - 7 ROUTINE TEST ACCORDING TO: IEEE C57.19.01
  - 8 MAX. TORQUE APPLIED ON FLANGE BOLTS: 40 lbf x ft / 54.2 N.m.
  - 9 WEIGHT: 85 lbs / 38.8 Kg
  - 10 MAXIMUM OPERATING TEMPERATURE: 130°C

REVISIONS					
ZONE	REV.	DESCRIPTION	DRAWN BY	DATE	APPR.
	A	INCREASE THE TOLERANCES ON THE FLANGE OUTSIDE DIAMETER. + THE TOLERANCES HAVE BEEN AJUSTED AS PER STANDARD	A.SAVARD	2018-02-07	Y.V.



ITEM NO.	QTY	DRAWING NO.	PART NO.	DESCRIPTION	NOTE / MAT'L
6	1	S-1001-2022		CAPACITANCE TAP ASSEMBLY	ALUMINUM
5	1	S-3692-2417-0		CAP	COPPER
4	1	S-5943-5523		ROD ASSEMBLY	COPPER
3	1	S-5943-5522		SHIELD ASSEMBLY	COPPER
2	1	S-5275-4867		FLANGE	ALUMINUM
1	1	S-2729-8614	-001	CASTING, CYCLOALIPHATIC RESIN	EC-APG-15NA

**Electro Composites™**  
solid HV bushings solution

**TITLE:**  
SDC® BUSHING 15kV, 3000A  
MODEL: 110-030-T-474-01

DRAWN BY: J.N.PILOTTE	DATE: 2014/10/22	FORMAT: A	CAGE CODE:	DRAWING NO.: S-2729-8614	REVISION: A
CHECK BY:		PROJECT ENG.:		GENERATED BY: SolidWorks 2013	SHEET: 1 of 1
PROJECT MGR.:		SCALE: 1:5			

GENERAL TOLERANCES (UNLESS OTHERWISE SPECIFIED)

X.	±0.125
.X	±0.094
.XX	±0.063
.XXX	±0.031
ANGLES	±0.25°
RADIUS	±0.031

REMOVE BURRS AND BREAK SHARP EDGES

DIMENSIONS ARE IN INCHES (UNLESS OTHERWISE SPECIFIED)

This drawing is the proprietary property of Electro Composites (2008) ULC, not part of the public domain, and is issued with the express understanding and agreement that it is not to be reproduced or copied in whole or in part or issued for furnishing information to others, or used directly or indirectly, in any way detrimental to the interest of Electro Composites (2008) ULC and is to be returned upon request by Electro Composites (2008) ULC. All Rights Reserved.