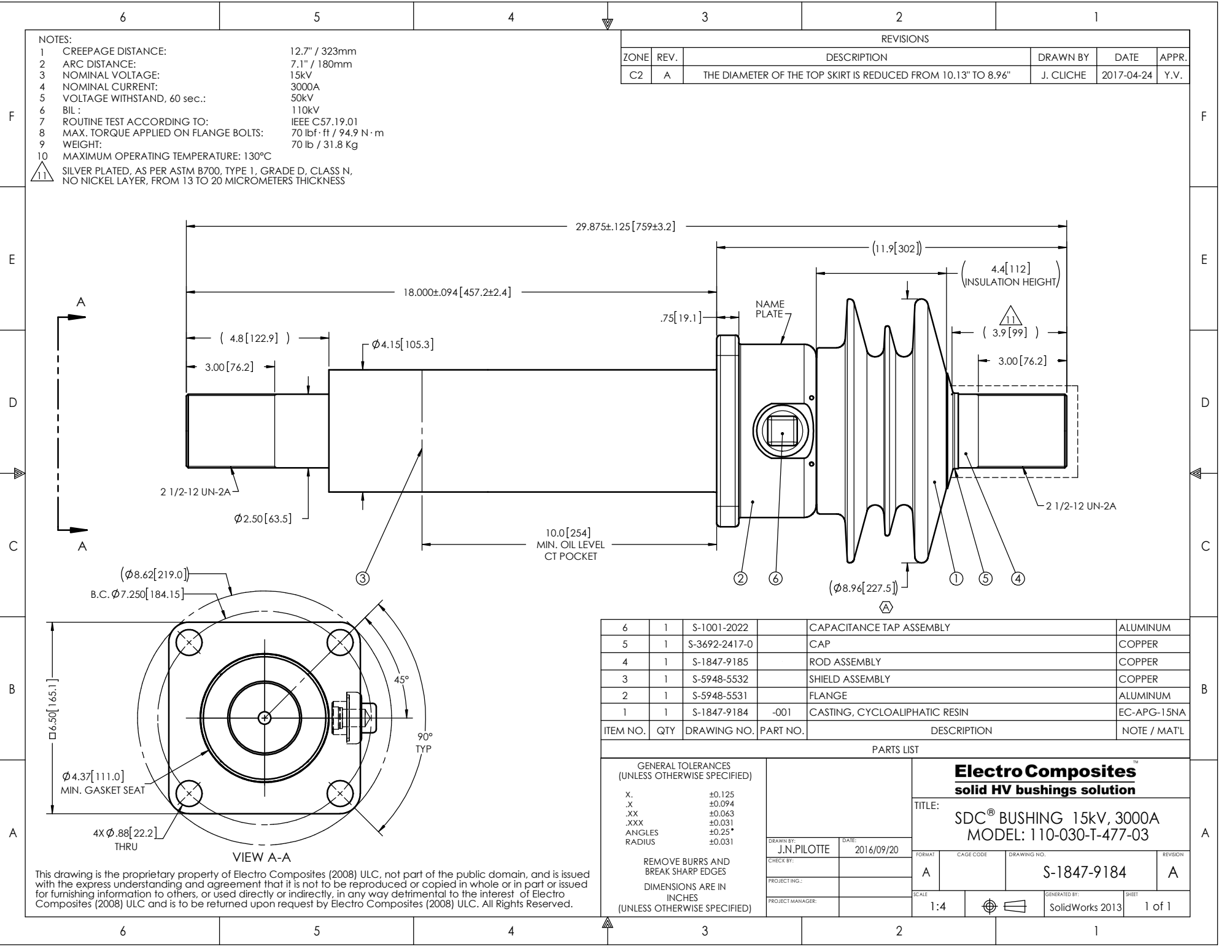


- NOTES:
- 1 CREEPAGE DISTANCE: 12.7" / 323mm
  - 2 ARC DISTANCE: 7.1" / 180mm
  - 3 NOMINAL VOLTAGE: 15kV
  - 4 NOMINAL CURRENT: 3000A
  - 5 VOLTAGE WITHSTAND, 60 sec.: 50kV
  - 6 BIL: 110kV
  - 7 ROUTINE TEST ACCORDING TO: IEEE C57.19.01
  - 8 MAX. TORQUE APPLIED ON FLANGE BOLTS: 70 lbf·ft / 94.9 N·m
  - 9 WEIGHT: 70 lb / 31.8 Kg
  - 10 MAXIMUM OPERATING TEMPERATURE: 130°C
- △1 SILVER PLATED, AS PER ASTM B700, TYPE 1, GRADE D, CLASS N, NO NICKEL LAYER, FROM 13 TO 20 MICROMETERS THICKNESS

REVISIONS					
ZONE	REV.	DESCRIPTION	DRAWN BY	DATE	APPR.
C2	A	THE DIAMETER OF THE TOP SKIRT IS REDUCED FROM 10.13" TO 8.96"	J. CLICHE	2017-04-24	Y.V.



ITEM NO.	QTY	DRAWING NO.	PART NO.	DESCRIPTION	NOTE / MAT'L
6	1	S-1001-2022		CAPACITANCE TAP ASSEMBLY	ALUMINUM
5	1	S-3692-2417-0		CAP	COPPER
4	1	S-1847-9185		ROD ASSEMBLY	COPPER
3	1	S-5948-5532		SHIELD ASSEMBLY	COPPER
2	1	S-5948-5531		FLANGE	ALUMINUM
1	1	S-1847-9184	-001	CASTING, CYCLOALIPHATIC RESIN	EC-APG-15NA

**PARTS LIST**

GENERAL TOLERANCES (UNLESS OTHERWISE SPECIFIED)

X.	±0.125
.X	±0.094
.XX	±0.063
.XXX	±0.031
ANGLES	±0.25°
RADIUS	±0.031

REMOVE BURRS AND BREAK SHARP EDGES

DIMENSIONS ARE IN INCHES (UNLESS OTHERWISE SPECIFIED)

**Electro Composites™ solid HV bushings solution**

TITLE: SDC® BUSHING 15kV, 3000A MODEL: 110-030-T-477-03

DRAWN BY: J.N.PILOTTE	DATE: 2016/09/20	FORMAT: A	CAGE CODE:	DRAWING NO.: S-1847-9184	REVISION: A
CHECK BY:		PROJECT NO.:	SCALE: 1:4	GENERATED BY: SolidWorks 2013	SHEET: 1 of 1
PROJECT MGR.:					

This drawing is the proprietary property of Electro Composites (2008) ULC, not part of the public domain, and is issued with the express understanding and agreement that it is not to be reproduced or copied in whole or in part or issued for furnishing information to others, or used directly or indirectly, in any way detrimental to the interest of Electro Composites (2008) ULC and is to be returned upon request by Electro Composites (2008) ULC. All Rights Reserved.