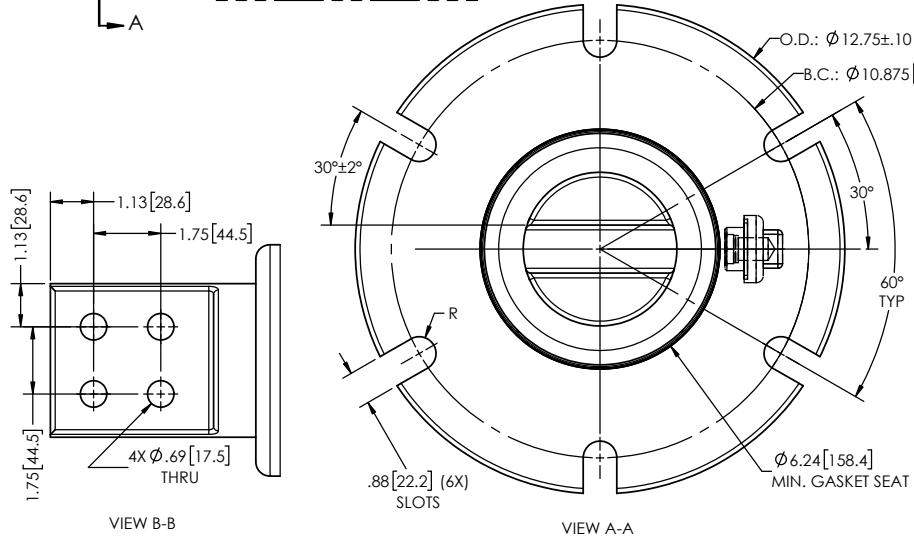
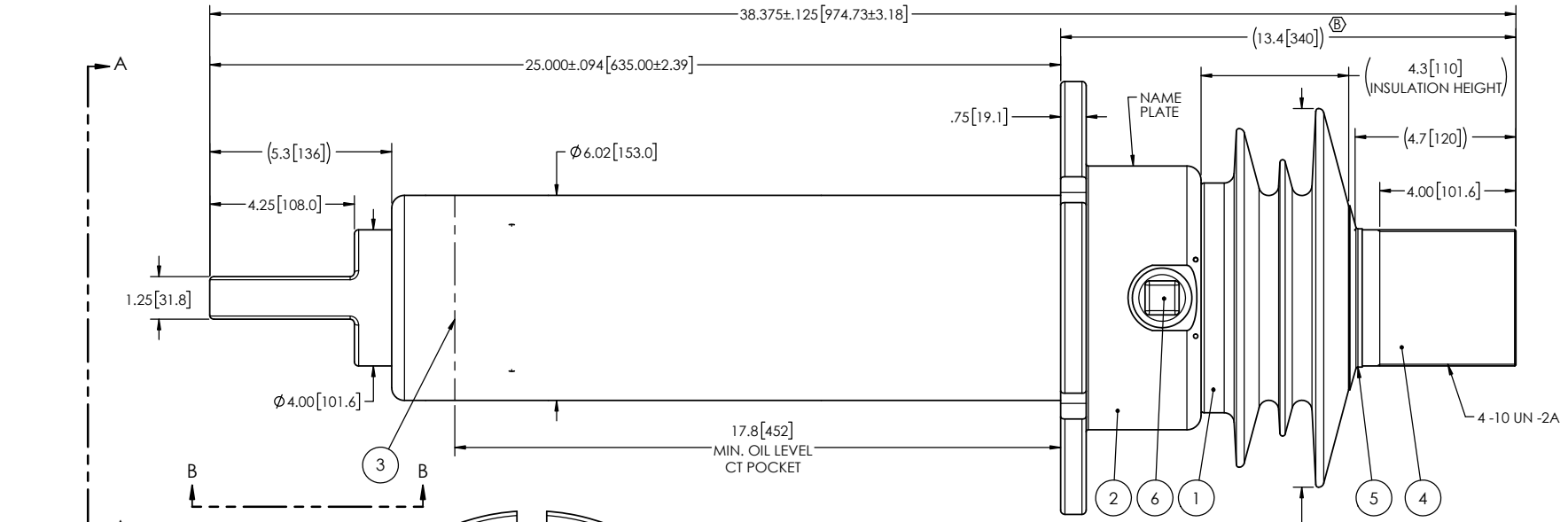


- NOTES:
- 1 CREEPAGE DISTANCE: 13.5" / 342mm
 - 2 ARC DISTANCE: 7.2" / 182mm
 - 3 NOMINAL VOLTAGE: 8.7kV
 - 4 NOMINAL CURRENT: 4000A
 - 5 VOLTAGE WITHSTAND, 60 sec.: 38kV
 - 6 BIL : 95kV
 - 7 ROUTINE TEST ACCORDING TO: IEEE C57.19.01
 - 8 MAX. TORQUE APPLIED ON FLANGE BOLTS: 40 lbf·ft / 54.2 N·m
 - 9 WEIGHT: 192 lb / 87.1 kg

REVISIONS					
ZONE	REV.	DESCRIPTION	DRAWN BY	DATE	APPR.
A2 A4 C3	A	ADD THE "SDC" DESIGNATION TO THE BUSHING NAME ADD THE MINIMUM GASKET SEAT DIMENSION. INCREASE THE TOLERANCE ON THE FLANGE O.D.	J. CLICHE	2016-06-17	Y.V.
C2, E2	B	FORMAT DIMENSION TO STANDARD	M. FORGET	2021-06-29	Y.V.



ITEM NO.	QTY	DRAWING NO.	PART NO.	DESCRIPTION	NOTE / MAT'L
6	1	S-1001-2022		CAPACITANCE TAP ASSEMBLY	ALUMINUM
5	1	S-3974-3543		CAP	COPPER
4	1	S-5616-5389		ROD ASSEMBLY	COPPER
3	1	S-5616-5388		SHIELD ASSEMBLY	COPPER
2	1	S-5616-5387		FLANGE	ALUMINUM
1	1	S-5616-5386	-001	CASTING, CYCLOALIPHATIC RESIN	EC-APG-02

Electro Composites™
solid HV bushings solution

TITLE: SDC® BUSHING 8.7 kV, 4000A
MODEL: 095-040-T-478-00

DRAWN BY: A.SAVARD	DATE: 2009/05/04	FORMAT: A	CAGE CODE	DRAWING NO.: S-5616-5386	REVISION: B
CHECK BY:		PROJECT ENG.:		SCALE: 1:5	GENERATED BY: SolidWorks 2013
PROJECT MGR.:				SHEET: 1 of 1	

GENERAL TOLERANCES (UNLESS OTHERWISE SPECIFIED)

X.	±0.125
.X	±0.094
.XX	±0.063
.XXX	±0.031
ANGLES	±0.25°
RADIUS	±0.031

REMOVE BURRS AND BREAK SHARP EDGES

DIMENSIONS ARE IN INCHES (UNLESS OTHERWISE SPECIFIED)

This drawing is the proprietary property of Electro Composites (2008) ULC, not part of the public domain, and is issued with the express understanding and agreement that it is not to be reproduced or copied in whole or in part or issued for furnishing information to others, or used directly or indirectly, in any way detrimental to the interest of Electro Composites (2008) ULC and is to be returned upon request by Electro Composites (2008) ULC. All Rights Reserved.