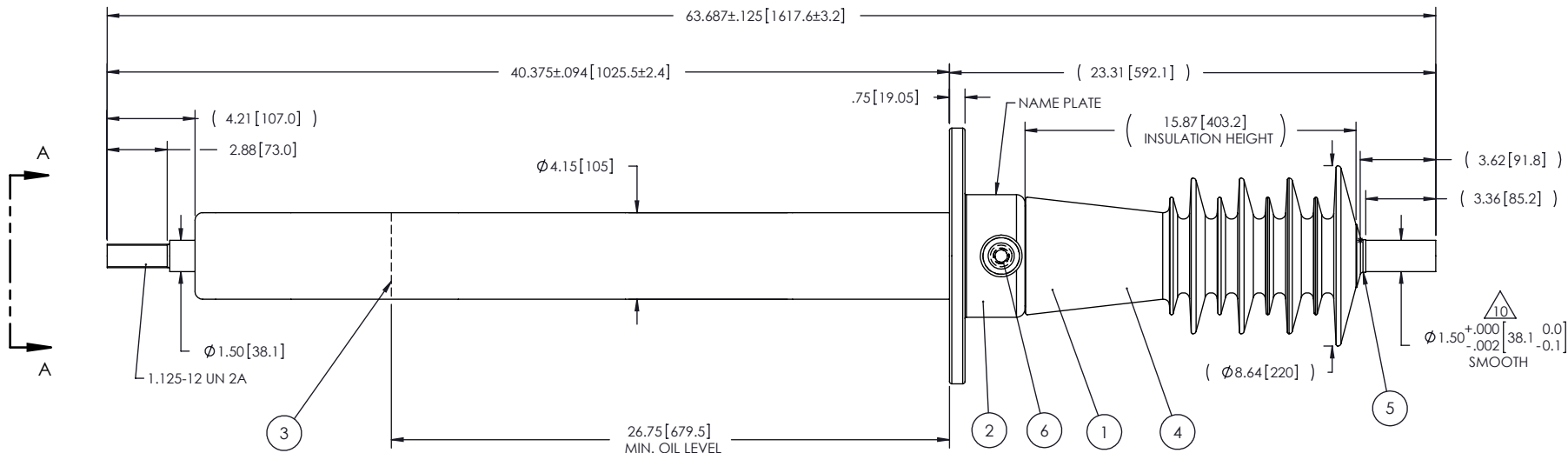


NOTES:

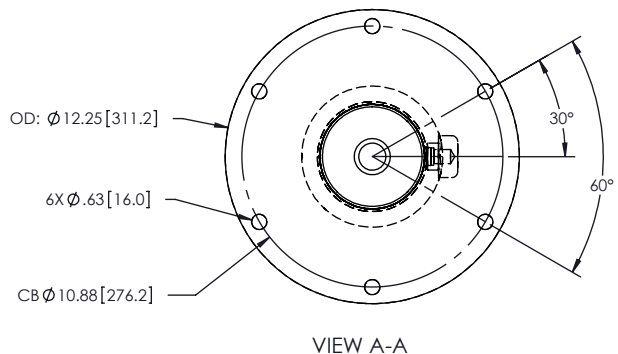
- 1 CREEPAGE DISTANCE: 35.8" / 909.7mm
- 2 ARC DISTANCE: 18.2" / 461.6mm
- 3 NOMINAL VOLTAGE: 46kV
- 4 NOMINAL CURRENT: 1200A
- 5 WITHSTAND VOLTAGE AT 60 sec.: 105kV
- 6 B.I.L. : 250kV
- 7 APPLICATION STANDARD: IEEE C57.19.01
- 8 MAX. TORQUE APPLIED ON FLANGE BOLTS: 40 lbf x ft
- 9 WEIGHT: 99.0 lbs / 44.9 Kg

△10 SILVER PLATED TOP END, AS PER ASTM B700, TYPE 1, GRADE D, CLASS N, NO NICKEL LAYER, FROM 13 TO 20 MICROMETERS THICKNESS

REVISIONS					
ZONE	REV.	DESCRIPTION	DRAWN BY	DATE	APPR.



△10
 $\phi 1.50^{+0.000}_{-0.002}$ [38.1 0.0] SMOOTH



ITEM NO.	QTY	DRAWING NO.	PART NO.	DESCRIPTION	NOTE / MAT'L
6	1	S-1001-2022		CAPACITANCE TAP ASSEMBLY	ALUMINUM
5	1	S-1001-0007		CAP	COPPER
4	1	S-5730-5398		ROD ASSEMBLY	COPPER
3	1	S-5730-5397		SHIELD ASSEMBLY	COPPER
2	1	S-5459-5206		FLANGE	ALUMINUM
1	1			CASTING, CYCLOALIPHATIC RESIN	EC-APG-02

PARTS LIST

This drawing is the proprietary property of Electro Composites (2008) ULC, not part of the public domain, and is issued with the express understanding and agreement that it is not to be reproduced or copied in whole or in part or issued for furnishing information to others, or used directly or indirectly, in any way detrimental to the interest of Electro Composites (2008) ULC and is to be returned upon request by Electro Composites (2008) ULC. All Rights Reserved.

GENERAL TOLERANCES (UNLESS OTHERWISE SPECIFIED)

- X. ±0.125
- .X ±0.094
- .XX ±0.063
- .XXX ±0.010
- ANGLES ±0.25°
- RADIUS ±0.031

REMOVE BURRS AND BREAK SHARP EDGES

DIMENSIONS ARE IN INCHES (UNLESS OTHERWISE SPECIFIED)

Electro Composites
 solid HV bushings solution

TITLE: BUSHING 46kV, 1200A
 MODEL: 250-012-T-479-00

DRAWN BY: J.N.PILOTTE	DATE: 2009/05/12	FORMAT: A	CAGE CODE:	DRAWING NO.: S-5730-5395	REVISION: NR
CHECK BY:		SCALE: 1:8	GENERATED BY: SolidWorks 2008	SHEET: 1 of 1	
PROJECT ENG.:					
PROJECT MANAGER:					