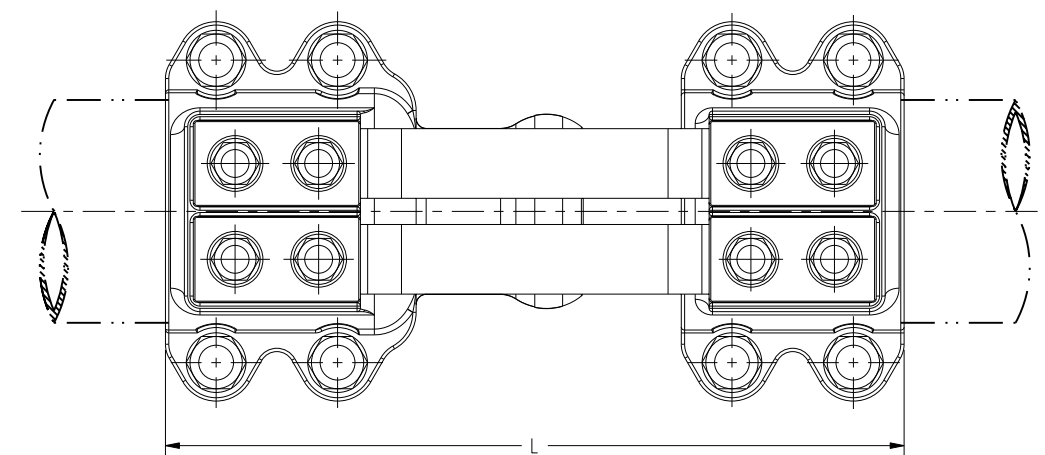
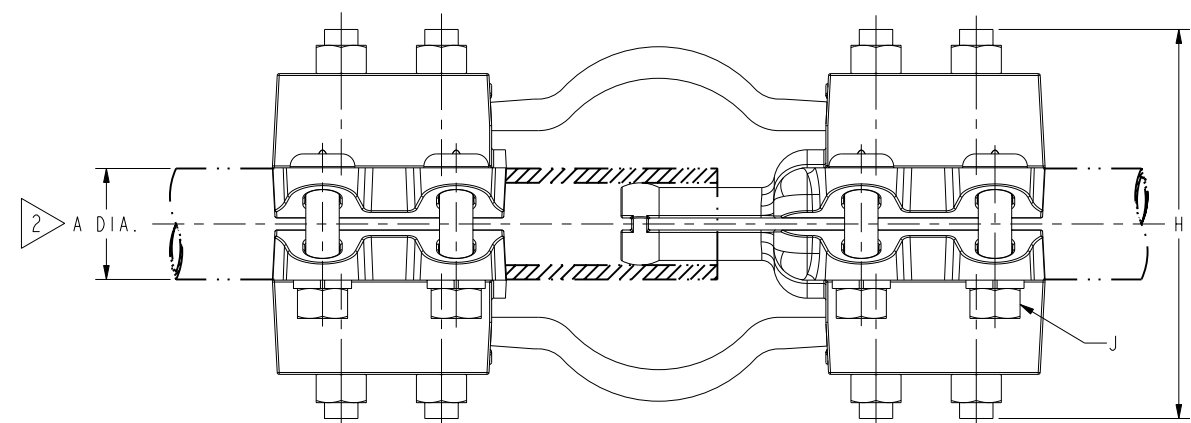
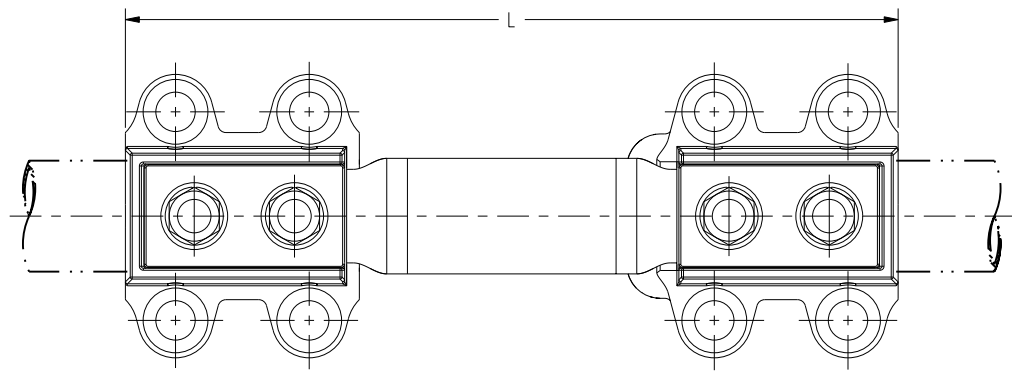
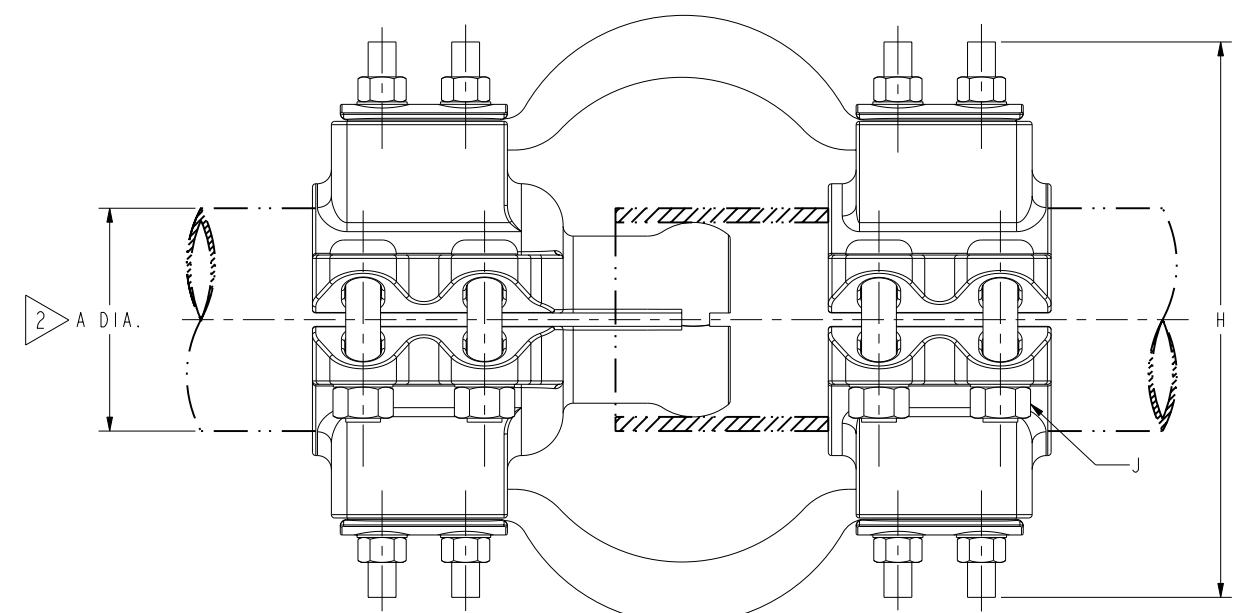


DRAWING NO.
50000157

| REV | DATE | DESCRIPTION | ECO | BY | C'H'K. |
|-----|------------------------|--|-------|-----|--------|
| A | 03/22/2012 00:00:00 AM | TO CREATE SALES DRAWING FOR XP AND XPL COPPER EXPANSION COUPLERS | 27079 | NPR | NJS |

| CONDUCTOR IN IPS | A DIA. 2 | STANDARD IPS | | EXTRA HEAVY IPS | | FIG. NO. | H | J | L | |
|------------------|--|---------------------------|-------------|---------------------------|-------------|----------|------------|------------|-------------|-------------|
| | | CATALOG NUMBER WITH GUIDE | ITEM NUMBER | CATALOG NUMBER WITH GUIDE | ITEM NUMBER | | | | | |
| 1/2 | 0.840 [21] | XP1313 | 33258D | XP5353 | 50000160 | 1 | 3.88 [98] | 3/8 | 8.75 [222] | |
| 3/4 | 1.050 [27] | XP1414 | 33258J | XP5454 | 50000161 | | 4.13 [105] | | 9.50 [241] | |
| 1 | 1.315 [33] | XP1515 | 33258V | XP5555 | 50000162 | | 4.38 [111] | | | |
| 1 1/4 | 1.660 [42] | XP1616 | 33259H | XP5656 | 10103243 | | 5.82 [148] | | | |
| 1 1/2 | 1.990 [51] | XP1717 | 33258X | XP5757 | 50000163 | | 1/2 | 6.50 [165] | 12.00 [305] | |
| 2 | 2.375 [60] | XP1818 | 33259C | XP5858 | 50000164 | | | 7.00 [178] | 13.00 [330] | |
| 2 1/2 | 2.875 [73] | XP1919 | 33260G | XP5959 | 50000165 | | | 8.50 [216] | | |
| 3 | 3.500 [89] | XP2020 | 33263A | XP9090 | 50000166 | | 2 | 7.75 [197] | 5/8 | 13.50 [343] |
| 3 1/2 | 4.000 [102] | XP2121 | 33263K | XP9191 | 50000168 | | | 8.00 [203] | | 13.63 [346] |
| 4 | 4.500 [114] | XP2222 | 33263X | XP9292 | 50000229 | | | 9.13 [232] | | |



NOTES:
1 MATERIAL:
CAST COPPER ALLOY

2 ACCOMMODATES:
SEE TABLE

3 NOMINAL BOLT INSTALLATION TORQUE:
3/8" SILICON BRONZE HARDWARE - 240 LB-IN [30 Nm]
1/2" SILICON BRONZE HARDWARE - 480 LB-IN [55 Nm]
5/8" SILICON BRONZE HARDWARE - 660 LB-IN [75 Nm]

4 DIMENSIONS IN BRACKETS [] DENOTES METRIC UNITS [SI UNITS]
AND ARE ROUNDED TO THE NEAREST WHOLE NUMBER. UNLESS
OTHERWISE SPECIFIED THESE UNITS SHALL BE USED FOR
REFERENCE ONLY.

FIG. 1

FIG. 2

| | | | |
|---|--|------------------------------|-------------------------------|
| TO ORDER BURNDY® PRODUCTS CALL | | EXPANSION COUPLER | |
| UNITED STATES 1-800-346-4175 (LONDONDERRY, NH) | | ITEM NO: SEE TABLE | CAT. NO: SEE TABLE |
| CANADA: 1-800-361-6975 (QUEBEC) 1-800-387-6487 (ALL OTHER PROVINCES) | | DRAWN BY: N PRABHU 03/27/12 | CHECKER: NJ SUDHAKAR 03/27/12 |
| FOR PRODUCT INFO: http://www.burndy.com | | DSN APPVL: R LAVOIE 04/13/12 | MFG APPVL: -- |
| | | QA APPVL: J HILLMAN 04/09/12 | MKT APPVL: B MICHAUD 04/09/12 |
| | | PROJ #: | SIZE |
| | | DOCUMENT TYPE: Sales | 50000157 |
| | | REL LEVEL: Released | D |
| | | SCALE: 1:1 | REV |
| | | | A |

REV: PE0200