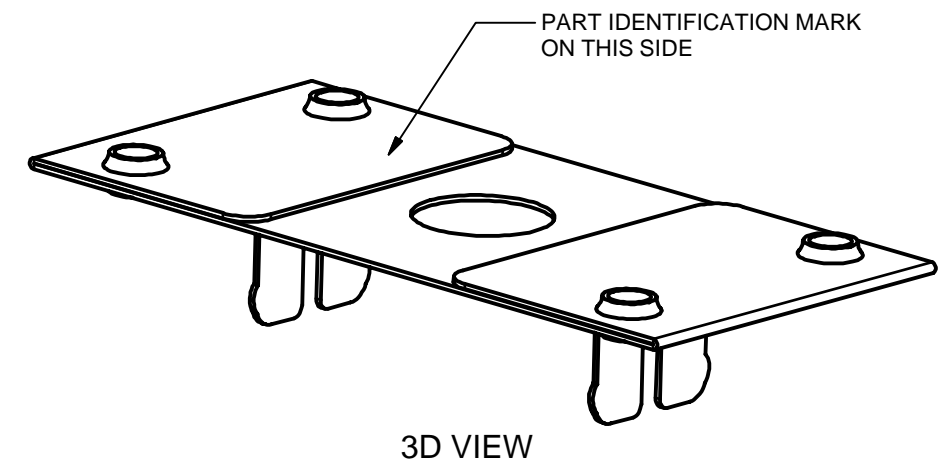
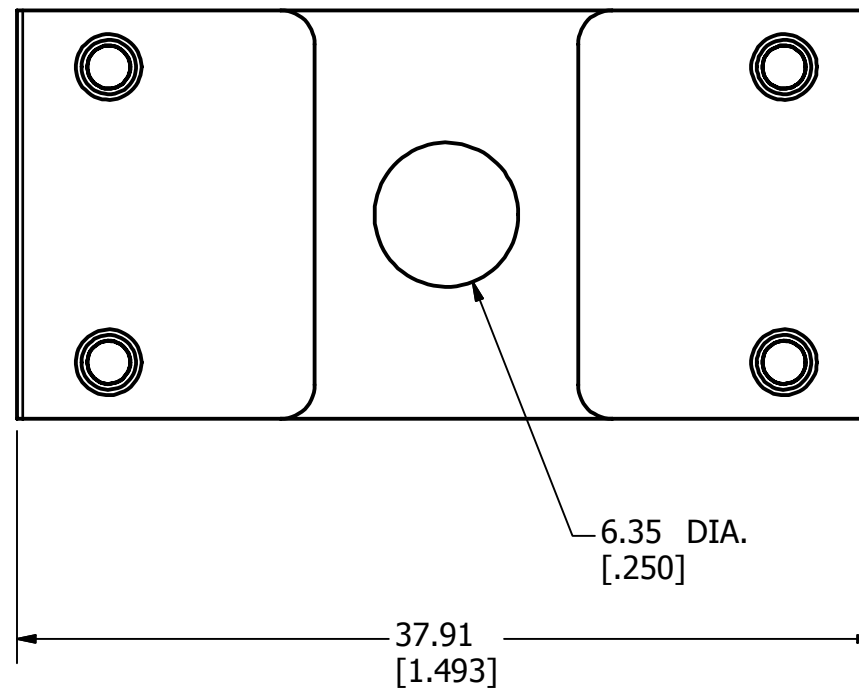
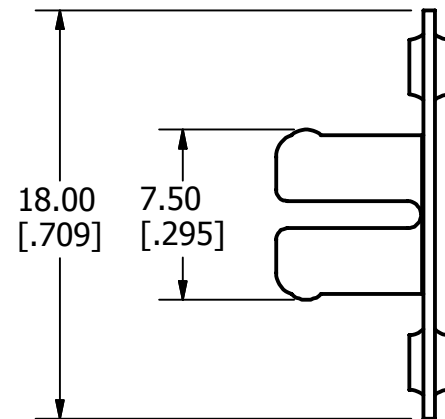
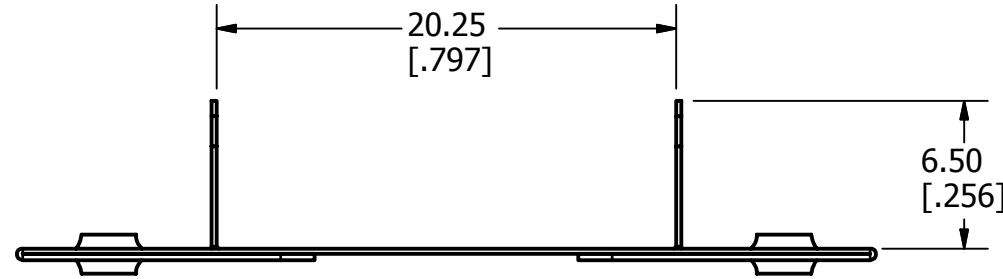
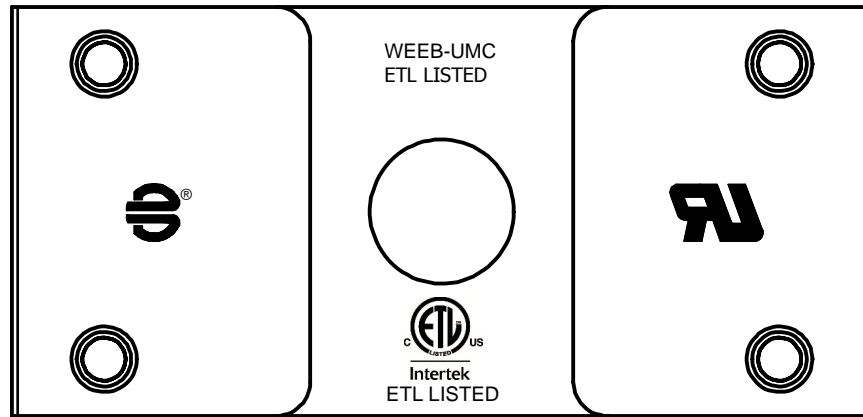


REV	DATE	DESCRIPTION	ECO	BY	C'H.K.
D	09/06/2013	UPDATE MODEL AS PER MARK-UP	33173	VK	MK



NOTES:

1. MATERIAL: 304 STAINLESS STEEL.
2. DIMENSIONS IN BRACKETS [] ARE IN INCHES ROUNDED OFF TO THE NEAREST TENTH, UNLESS OTHERWISE SPECIFIED AND ARE FOR REFERENCE ONLY.

TO ORDER BURNDY PRODUCTS CALL		EQUIPMENT BOND	
UNITED STATES 1-800-346-4175 (LONDONDERRY, NH)		ITEM NO: 30020099	
CANADA: 1-800-361-6975 (QUEBEC) 1-800-387-6487 (ALL OTHER PROVINCES)		CAT. NO: WEEB-UMC	
FOR PRODUCT INFO: http://www.burndy.com		DRAWN BY: V KAMAL 09/06/2013	
		CHECKER: P KOVALOV 09/13/2013	
		DSN APRVL: T OLENICK 09/17/2013	
		MFG APRVL: M STEVENS 09/10/2013	
		QA APRVL: C KOWALCZYK 09/10/2013	
		MKT APRVL: S PARSONS 09/12/2013	
		PROD FAM: --	DRAWING NO
		PROJECT #:	50000195
		DOCUMENT TYPE: Sales	REV
		REL LEVEL: Released	D
		SIZE: B	SHEET 1 OF 1