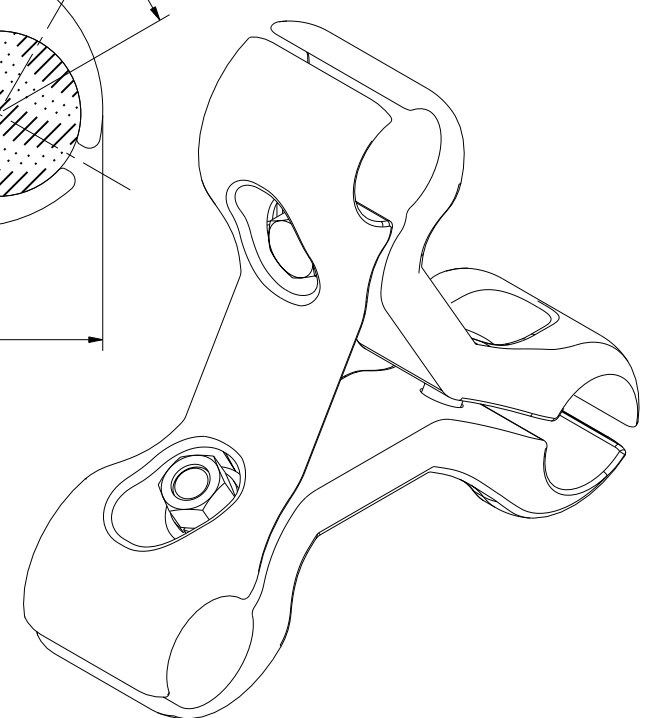
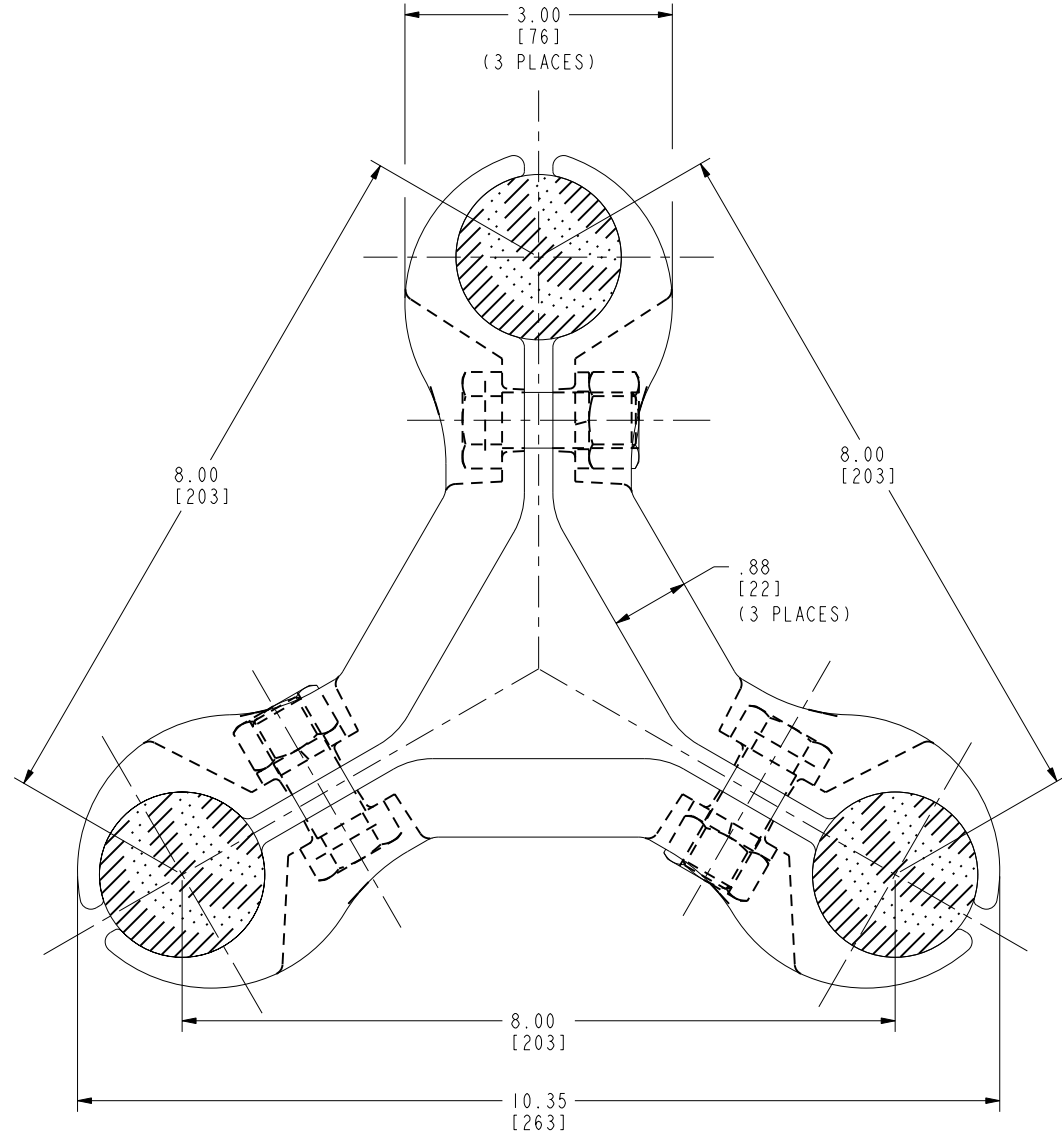
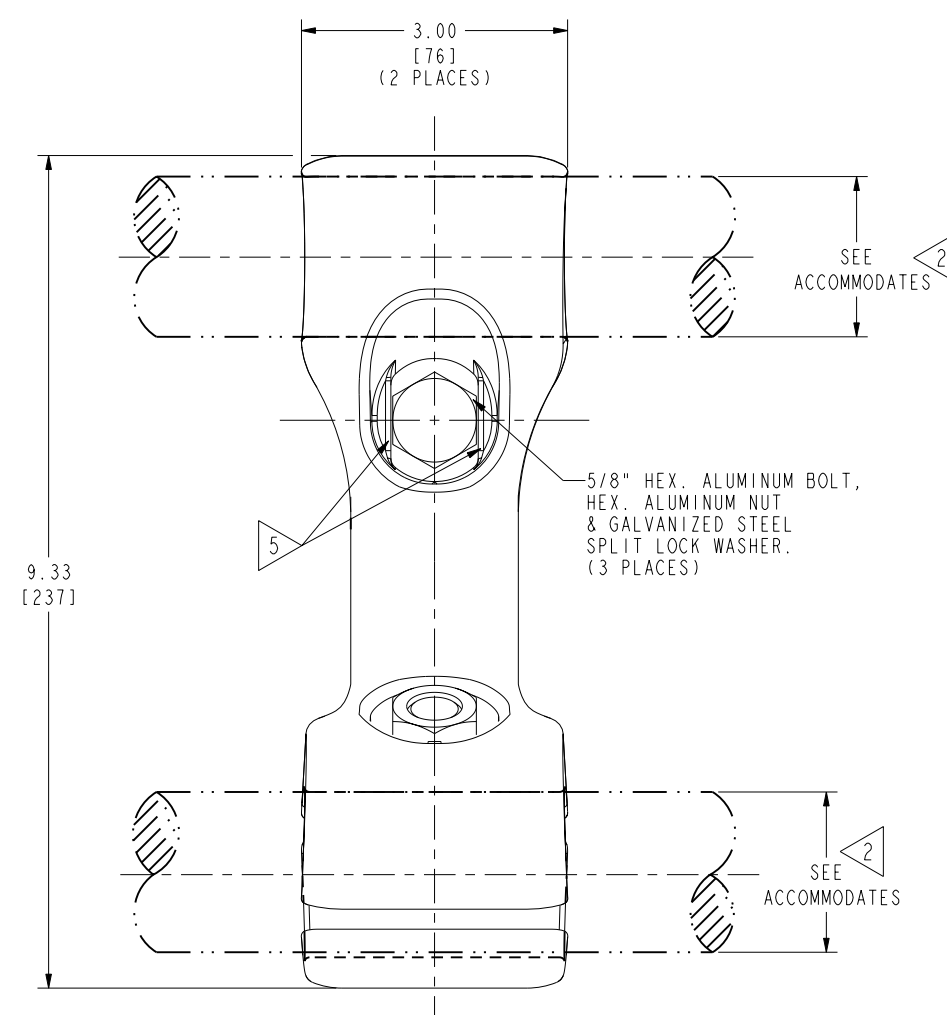


DRAWING NO.  
50000263

REV	DATE	DESCRIPTION	ECO	BY	C'H'K.
A	04/11/2012 00:00:00 AM	CREATE STAND ALONE SALES DWG FOR S3GBP486A8 - 10044443	27210	MK	RL



3D VIEW

NOTES:

- 1 MATERIAL:  
CAST ALUMINUM ALLOY
- 2 ACCOMMODATES:  
(3) 2300 Kcmil 61 STR. (1.750 [44] DIA.) TO 2500 Kcmil 127 STR. (1.823 [46] DIA.) AAC  
2167 Kcmil 72/7 STR. (1.737 [44] DIA.) TO 2156 Kcmil 84/19 STR. (1.762 [45] DIA.) ACSR
- 3 NOMINAL BOLT INSTALLATION TORQUE:  
5/8" HEX. ALUMINUM HARDWARE 480 IN-LBS [55 Nm].
- 4 DIMENSIONS IN BRACKETS [ ] DENOTES METRIC UNITS [SI UNITS]  
AND ARE ROUNDED TO THE NEAREST WHOLE NUMBER. UNLESS  
OTHERWISE SPECIFIED THESE UNITS SHALL BE USED FOR  
REFERENCE ONLY.
- 5 HEX BOLTS CAPTURED TO PREVENT TURNING DURING INSTALLATION.
- 6 THE CONCEPT SHOWN INCORPORATES DESIGN PRINCIPLES WHICH PERMIT  
OPERATION AT A VOLTAGE GRADIENT NORMALLY ASSOCIATED WITH 550KV  
RMS OPERATION PHASE TO PHASE.
- 7 MARKING:  
BURNDY  
S3GBP486A8  
2300 - 2500 Kcmil AAC  
2167 - 2156 Kcmil ACSR

TO ORDER BURNDY® PRODUCTS CALL		THREE CABLE SPACER	
UNITED STATES 1-800-346-4175 (LONDONDERRY, NH)		ITEM NO: 10044443	<b>BURNDY</b>
CANADA: 1-800-361-6975 (QUEBEC) 1-800-387-6487 (ALL OTHER PROVINCES)		CAT. NO: S3GBP486A8	
FOR PRODUCT INFO: <a href="http://www.burndy.com">http://www.burndy.com</a>		DRAWN BY: M KATHIRESAN 04/12/12	
		CHECKER: R LAVOIE 04/13/12	
		DSN APPVL: R LAVOIE 04/13/12	SCALE: 1:1
		MFG APPVL: -- --	DRAWING NO
		QA APPVL: J HILLMAN 04/16/12	50000263
		MKT APPVL: B MICHAUD 04/12/12	REV
		PROJ #: --	A
		DOCUMENT TYPE: Sales	SHEET 1 OF 1
		REL LEVEL: Released	

REV: PE0200