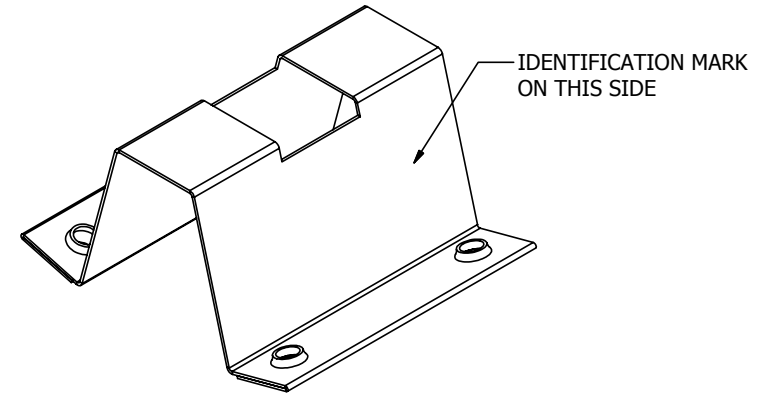
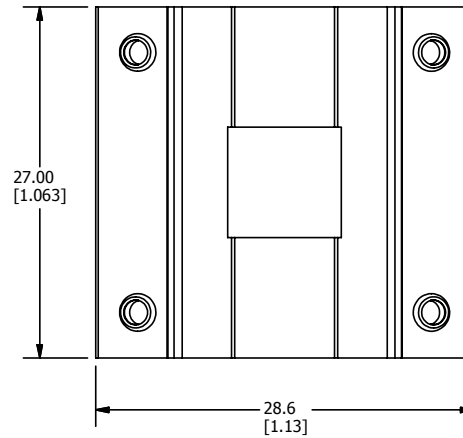
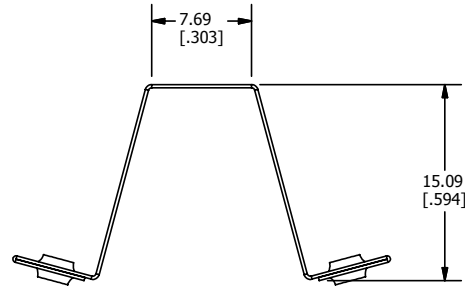
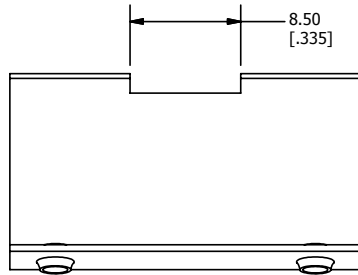


REV	DATE	DESCRIPTION	ECO	BY	CHK.
E	9/05/2013	UPDATED DIMENSIONS FOR CAT. # WEEB-DPF	33167	AB	MK



3D VIEW

NOTES:

1. MATERIAL: 304 STAINLESS STEEL
2. DIMENSIONS IN BRACKETS [ ] ARE IN MILLIMETERS ROUNDED OFF TO THE NEAREST MILLIMETER, UNLESS OTHERWISE NOTED, AND ARE FOR REFERENCE ONLY.

TO ORDER BURNDY PRODUCTS CALL		EQUIPMENT BOND	
UNITED STATES		ITEM NO: 30020089	
1-800-346-4175 (LONDONDERRY, NH)		CAT. NO: WEEB-DPF	
CANADA:		DRAWN BY: A BHARATH 9/5/2013	
1-800-361-6975 (QUEBEC)		CHECKER: P KOVALOV 9/13/2013	
1-800-387-6487 (ALL OTHER PROVINCES)		DSN APRVL: T OLENICK 9/17/2013	
FOR PRODUCT INFO: <a href="http://www.burndy.com">http://www.burndy.com</a>		MFG APRVL: M STEVENS 9/16/2013	
		QA APRVL: C KOWALCZYK 9/16/2013	
		MKT APRVL: S PARSONS 9/13/2013	
PROJECT #:	SIZE	DRAWING NO	REV
DOCUMENT TYPE: Sales	B	50000487	E
REL LEVEL: Released		SHEET 1 OF 1	