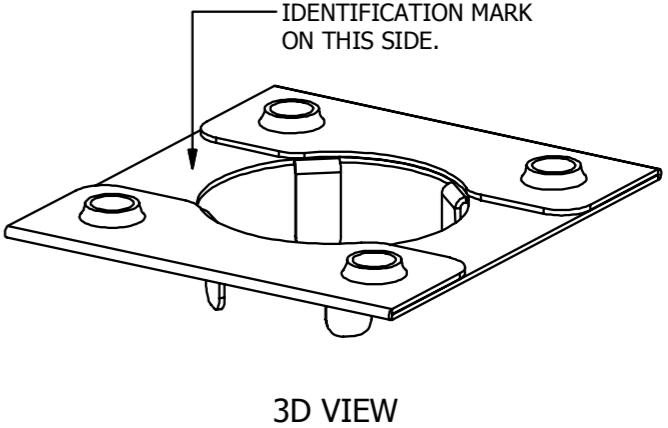
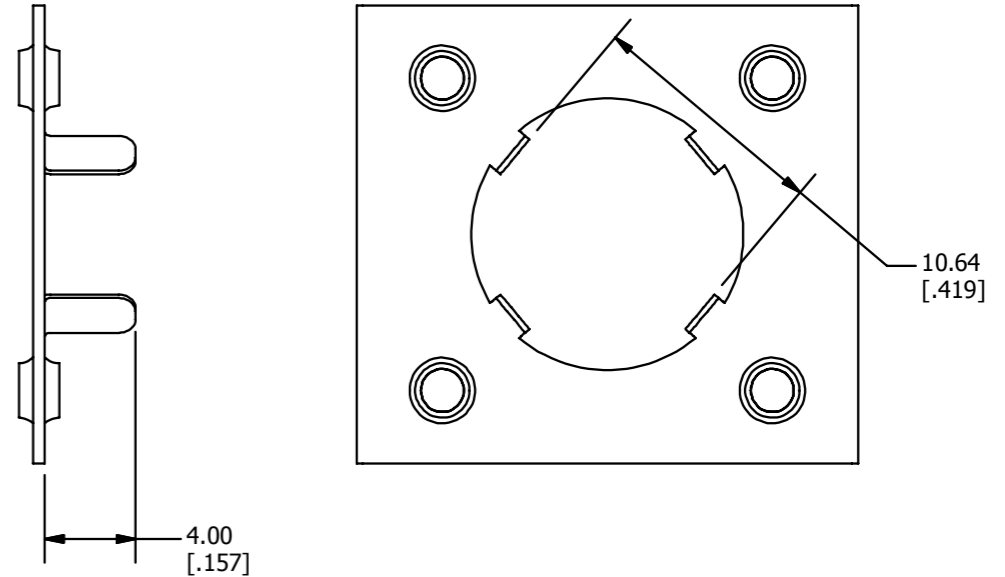
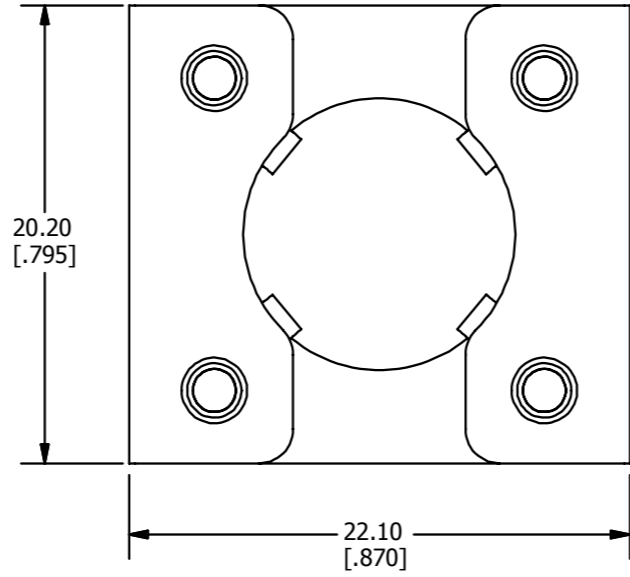
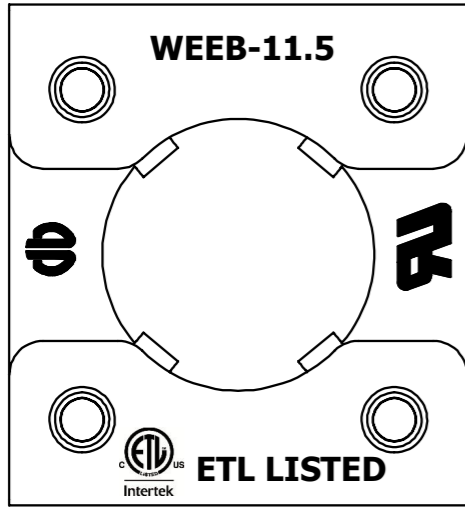


REV	DATE	DESCRIPTION	ECO	BY	CH'K.
D	09/10/2013	UPDATED LOGO DETAILS FOR CAT. # WEEB-11.5	33165	DC	MK



NOTES:

1. MATERIAL: 304 STAINLESS STEEL.
2. DIMENSIONS IN BRACKETS [] ARE IN INCHES ROUNDED OFF TO THE NEAREST TENTH, UNLESS OTHERWISE SPECIFIED AND ARE FOR REFERENCE ONLY.

TO ORDER BURNDY PRODUCTS CALL UNITED STATES 1-800-346-4175 (LONDONDERRY, NH) CANADA: 1-800-361-6975 (QUEBEC) 1-800-387-6487 (ALL OTHER PROVINCES) FOR PRODUCT INFO: http://www.burndy.com		EQUIPMENT BOND	
		ITEM NO: 30020084 CAT. NO: WEEB-11.5	
DRAWN BY: C DEVAKANNAN CHECKER: P KOVALOV DSN APRVL: T OLENICK MFG APRVL: M STEVENS QA APRVL: C KOWALCZYK MKT APRVL: S PARSONS	09/06/2013 09/11/2013 09/10/2013 09/10/2013 09/16/2013 09/12/2013		
PROD FAM: PROJECT #: DOCUMENT TYPE: Sales REL LEVEL: Released	SIZE B	DRAWING NO 50000488 SHEET 1 OF 1	REV D