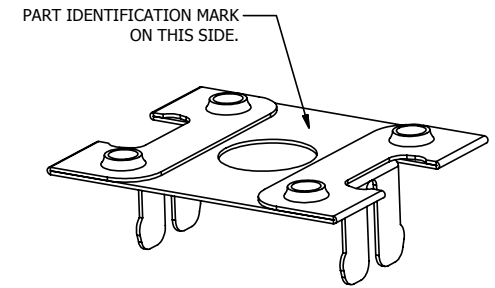
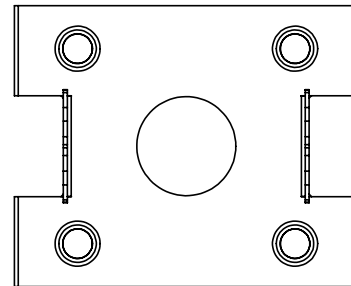
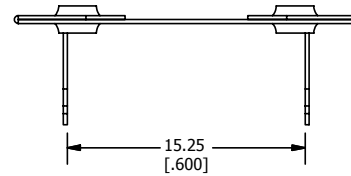
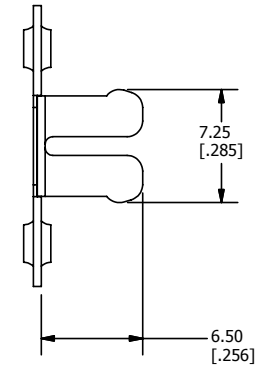
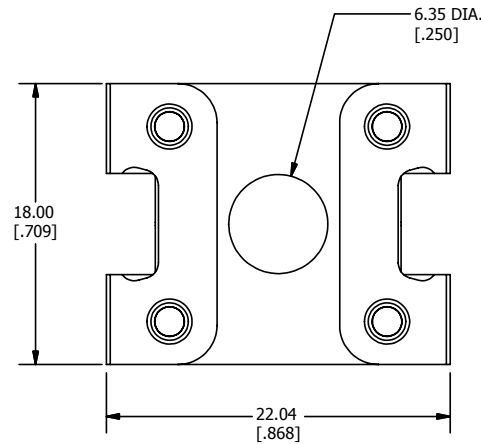
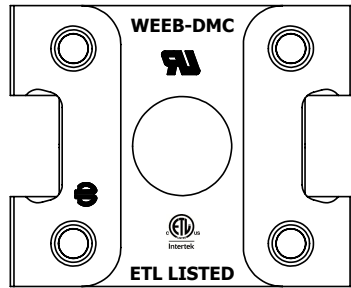


REV	DATE	DESCRIPTION	ECO	BY	CHK.
D	9/05/2013	UPDATED LOGO DETAILS FOR CAT. # WEEB-DMC	33167	AB	MK



3D VIEW

NOTES:

1. MATERIAL: 304 STAINLESS STEEL.
2. DIMENSIONS IN BRACKETS [] ARE IN INCHES ROUNDED OFF TO THE NEAREST TENTH, UNLESS OTHERWISE SPECIFIED AND ARE FOR REFERENCE ONLY.

TO ORDER BURNDY PRODUCTS CALL		EQUIPMENT BOND	
UNITED STATES 1-800-346-4175 (LONDONDERRY, NH)		ITEM NO: 30020088	
CANADA: 1-800-361-6975 (QUEBEC) 1-800-387-6487 (ALL OTHER PROVINCES)		CAT. NO: WEEB-DMC	
FOR PRODUCT INFO: http://www.burndy.com		DRAWN BY: A BHARATH 9/5/2013	
		CHECKER: P KOVALOV 9/13/2013	
		DSN APRVL: T OLENICK 9/17/2013	
		MFG APRVL: M STEVENS 9/16/2013	
		QA APRVL: C KOWALCZYK 9/16/2013	
		MKT APRVL: S PARSONS 9/13/2013	
PROJECT #:	SIZE	DRAWING NO	REV
DOCUMENT TYPE: Sales	B	50000489	D
REL LEVEL: Released		SHEET 1 OF 1	