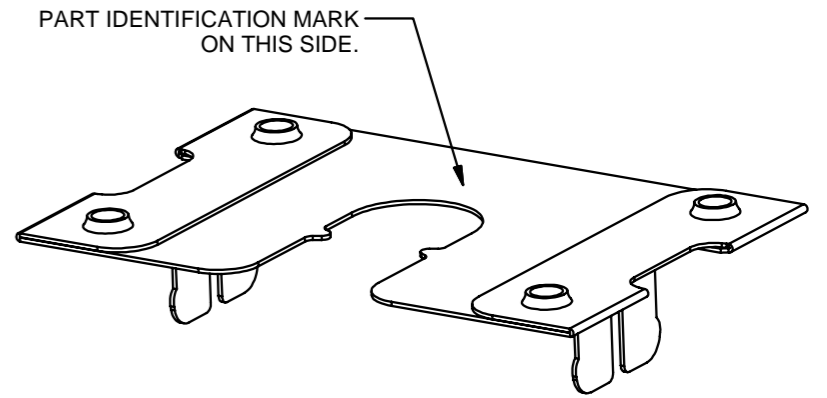
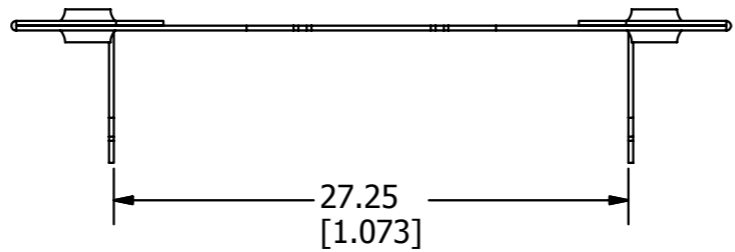
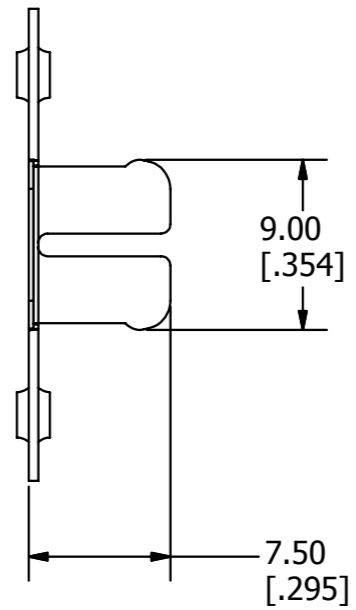
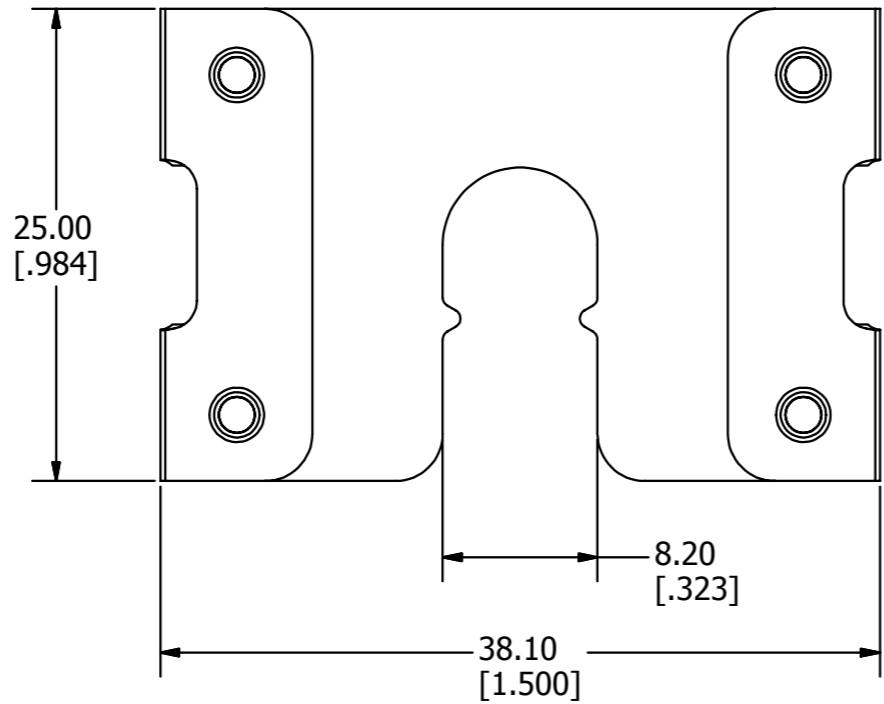
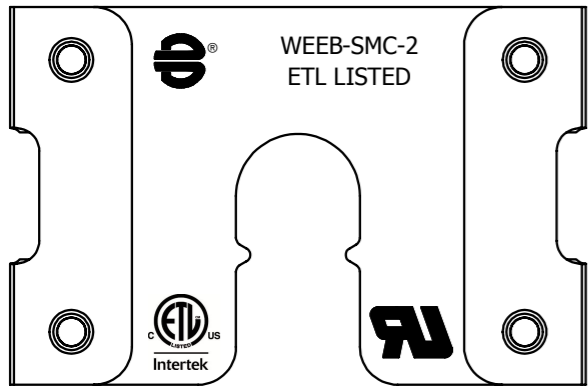


REV	DATE	DESCRIPTION	ECO	BY	C'H'K.
D	08/13/2013	REMOVED REGISTERED SYMBOL FROM UR MARK	32721	TM	PK



3D VIEW

NOTES:

1. MATERIAL: 304 STAINLESS STEEL.
2. DIMENSIONS IN BRACKETS [] ARE IN INCHES ROUNDED OFF TO THE NEAREST TENTH, UNLESS OTHERWISE SPECIFIED AND ARE FOR REFERENCE ONLY.

TO ORDER BURNDY PRODUCTS CALL		EQUIPMENT BOND	
UNITED STATES		ITEM NO: 30023673	
1-800-346-4175 (LONDONDERRY, NH)		CAT. NO: WEEB-SMC-2	
CANADA:		DRAWN BY: M THAMARAI 8/13/2013	
1-800-361-6975 (QUEBEC)		CHECKER: T OLENICK 8/23/2013	
1-800-387-6487 (ALL OTHER PROVINCES)		DSN APRVL: P KOVALOV 8/24/2013	
FOR PRODUCT INFO: http://www.burndy.com		MFG APRVL: M STEVENS 8/23/2013	
		QA APRVL: C KOWALCZYK 8/24/2013	
		MKT APRVL: S PARSONS 8/24/2013	
PROD FAM:	PROJECT #:	DRAWING NO	REV
	SIZE	50000490	D
DOCUMENT TYPE: Sales	REL LEVEL: Released	B	SHEET 1 OF 1