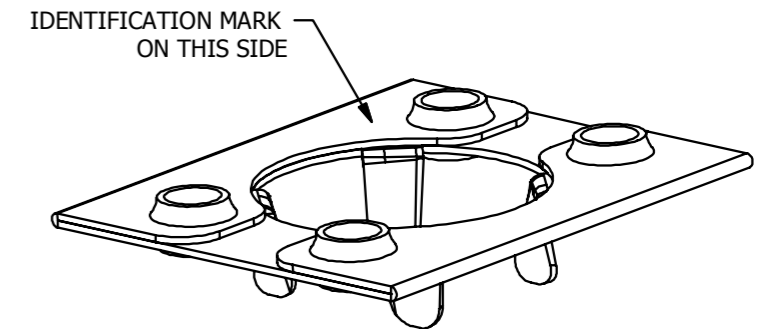
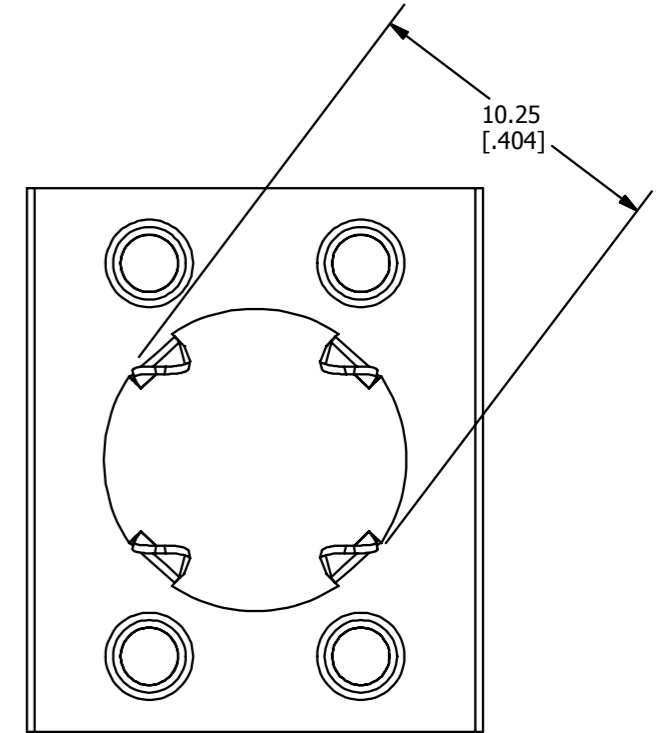
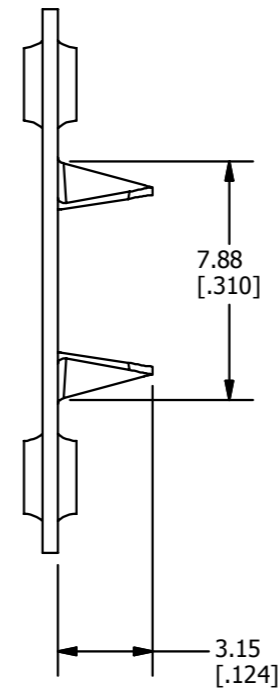
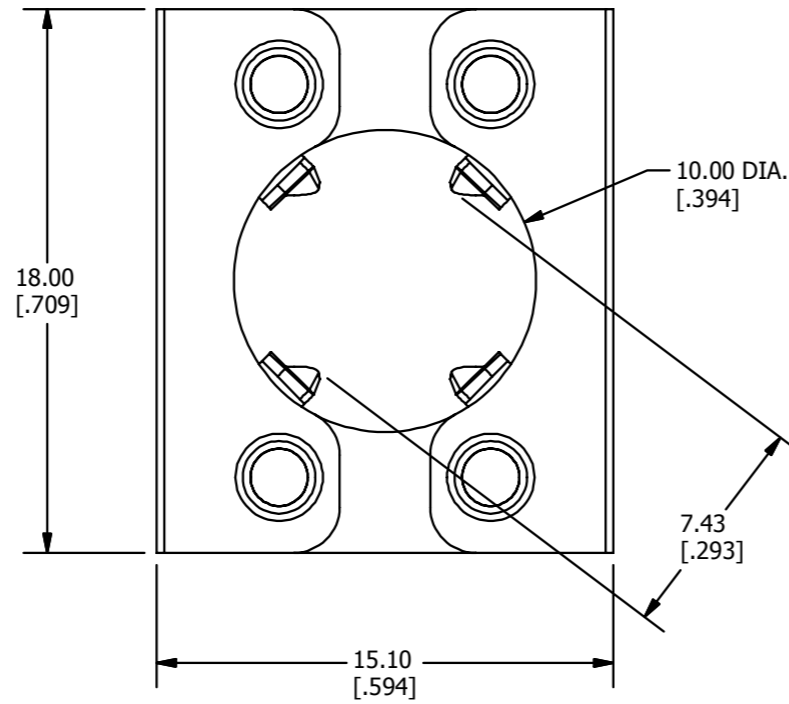
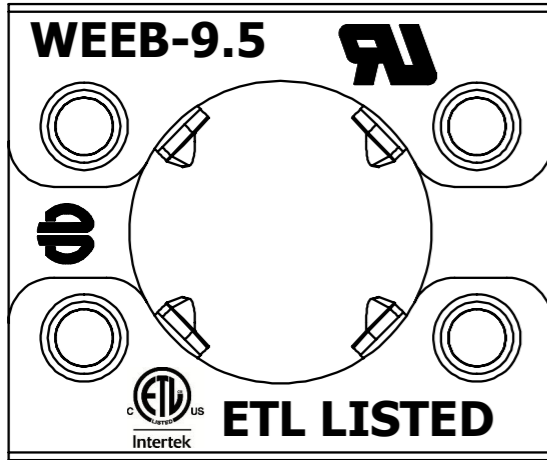


REV	DATE	DESCRIPTION	ECO	BY	CH'K.
D	09/10/2013	UPDATED LOGO DETAILS FOR CAT.# WEEB-9.5	33165	DC	MK



3D VIEW

NOTES:

1. MATERIAL: 304 STAINLESS STEEL
2. DIMENSIONS IN BRACKETS [] ARE IN INCHES ROUNDED OFF TO THE NEAREST TENTH, UNLESS OTHERWISE SPECIFIED AND ARE FOR REFERENCE ONLY.

TO ORDER BURNDY PRODUCTS CALL		EQUIPMENT BOND	
UNITED STATES		ITEM NO: 30020082	
1-800-346-4175 (LONDONDERRY, NH)		CAT. NO: WEEB-9.5	
CANADA:		DRAWN BY: C DEVAKANNAN 09/06/2013	
1-800-361-6975 (QUEBEC)		CHECKER: P KOVALOV 09/11/2013	
1-800-387-6487 (ALL OTHER PROVINCES)		DSN APRV: T OLENICK 09/10/2013	
FOR PRODUCT INFO: http://www.burndy.com		MFG APRV: M STEVENS 09/10/2013	
		QA APRV: C KOWALCZYK 09/16/2013	
		MKT APRV: S PARSONS 09/12/2013	
PROD FAM:	DRAWING NO	REV	
PROJECT #:	50001424	D	
DOCUMENT TYPE: Sales	SIZE		
REL LEVEL: Released	B		
		SHEET 1 OF 1	