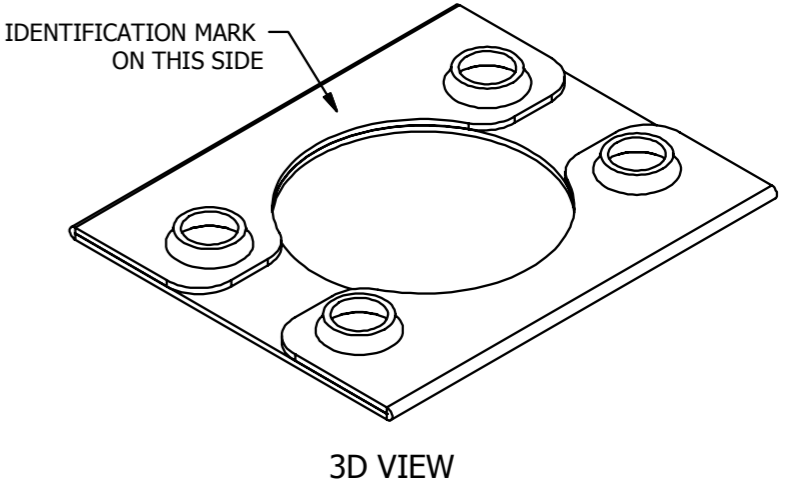
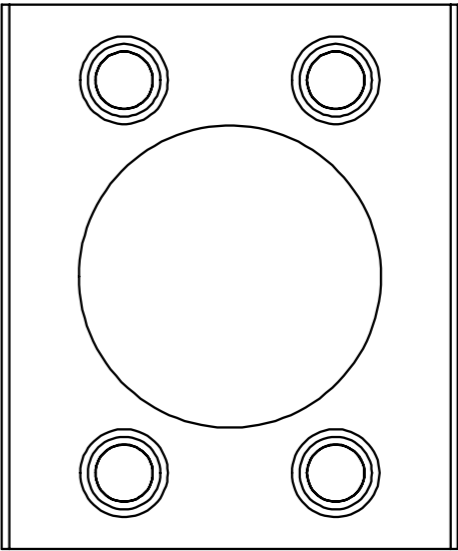
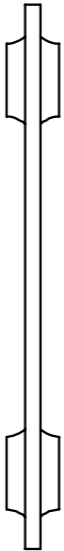
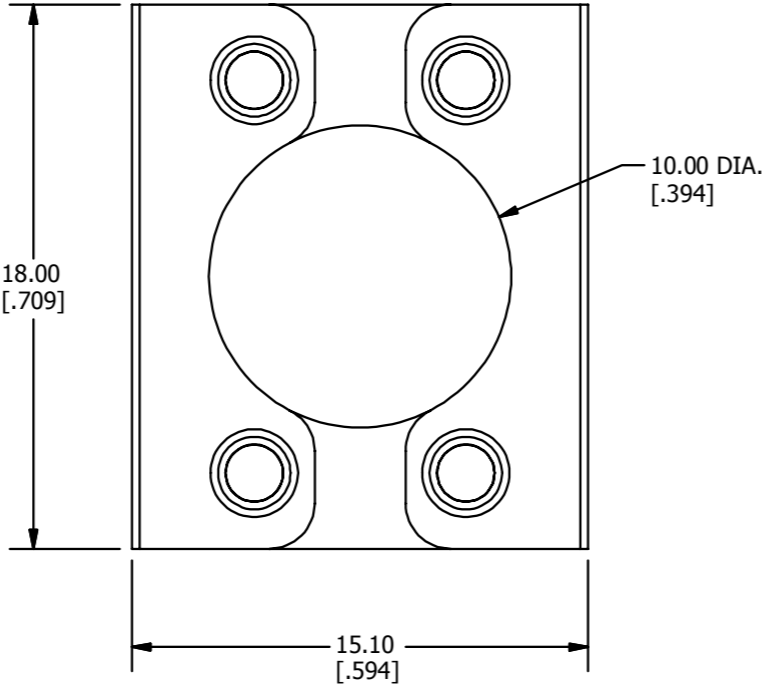
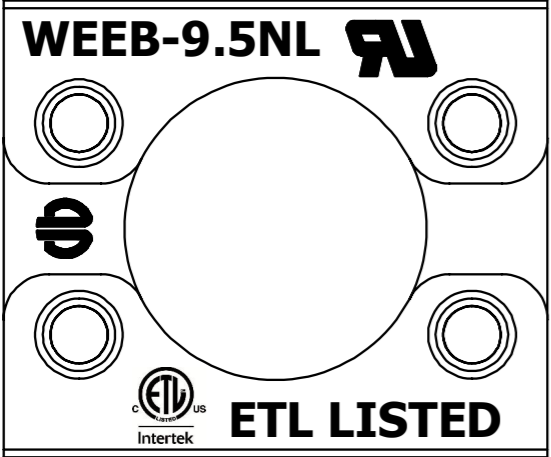


REV	DATE	DESCRIPTION	ECO	BY	CH'K.
D	09/10/2013	UPDATED LOGO DETAILS FOR CAT. # WEEB-9.5NL	33165	DC	MK



**NOTES:**

1. MATERIAL: 304 STAINLESS STEEL
2. DIMENSIONS IN BRACKETS [ ] ARE IN INCHES ROUNDED OFF TO THE NEAREST TENTH, UNLESS OTHERWISE SPECIFIED AND ARE FOR REFERENCE ONLY.

TO ORDER BURNDY PRODUCTS CALL		EQUIPMENT BOND	
UNITED STATES 1-800-346-4175 (LONDONDERRY, NH)		ITEM NO: 30020083	
CANADA: 1-800-361-6975 (QUEBEC) 1-800-387-6487 (ALL OTHER PROVINCES)		CAT. NO: WEEB-9.5NL	
FOR PRODUCT INFO: <a href="http://www.burndy.com">http://www.burndy.com</a>		DRAWN BY: C DEKANNAN 09/06/2013 CHECKER: P KOVALOV 09/11/2013 DSN APRVL: T OLENICK 09/10/2013 MFG APRVL: M STEVENS 09/10/2013 QA APRVL: C KOWALCZYK 09/16/2013 MKT APRVL: S PARSONS 09/12/2013	
PROJ #:	SIZE	DRAWING NO	
DOC TYPE: Sales	B	50001425	
REL LEVEL: Released		SHEET 1 OF 1	
			REV D