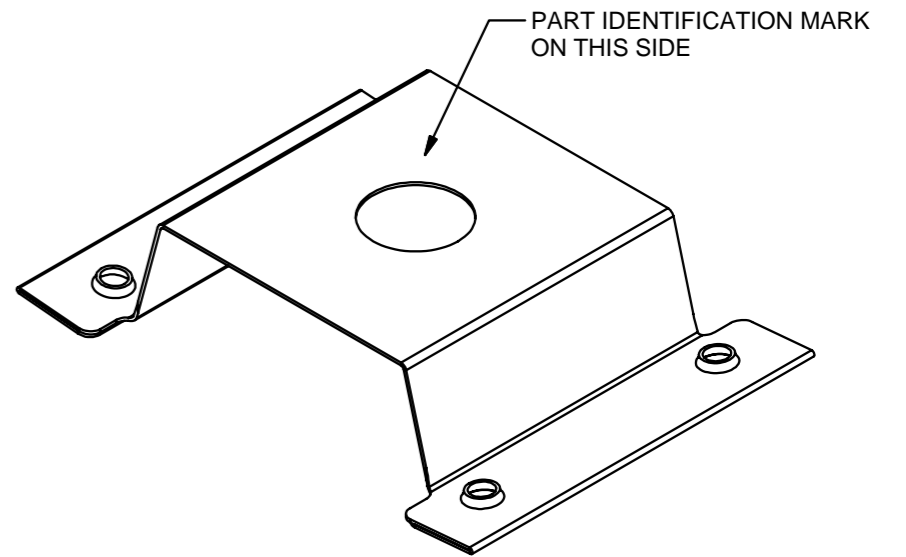
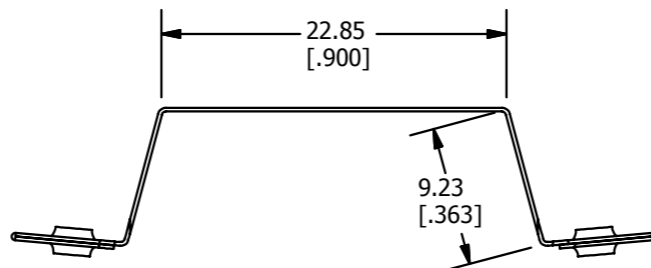
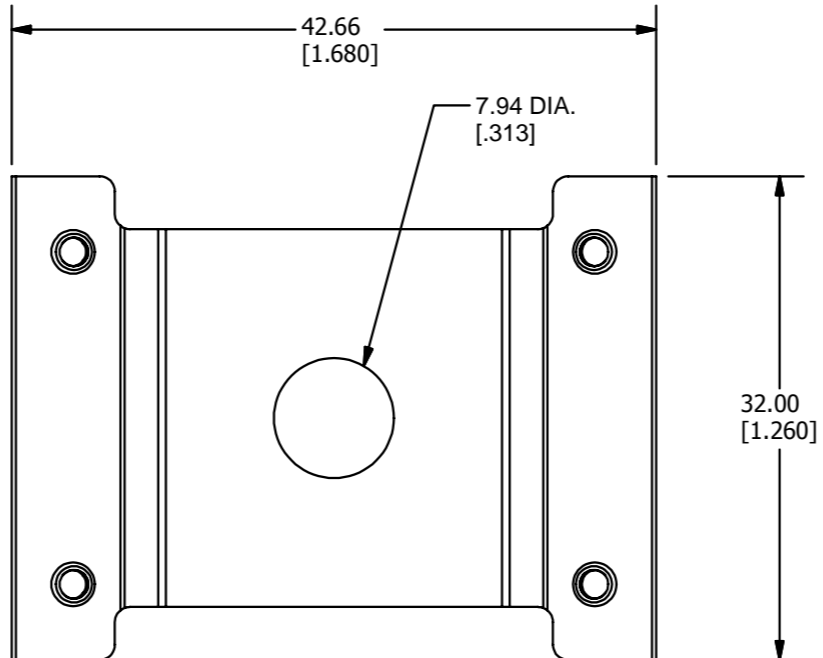
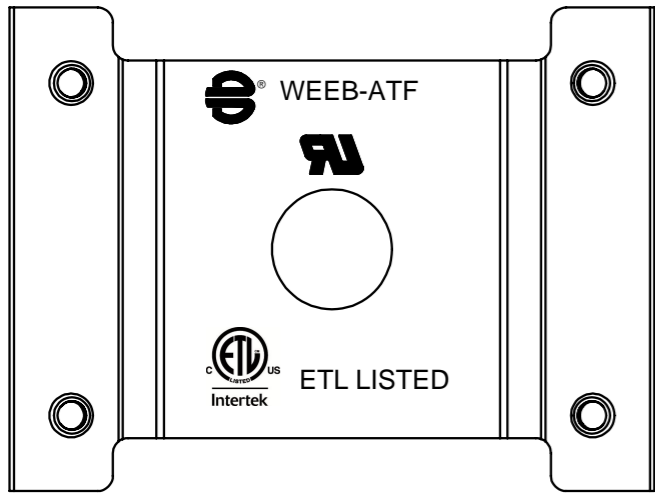


REV	DATE	DESCRIPTION	ECO	BY	C'H'K.
D	8/14/2013	UPDATED UR LOGO FOR CAT.# WEEB-ATF	32713	AB	KP



3D VIEW

NOTES:

1. MATERIAL: 304 STAINLESS STEEL
2. DIMENSIONS IN BRACKETS [] ARE IN INCHES ROUNDED OFF TO THE NEAREST TENTH, UNLESS OTHERWISE SPECIFIED AND ARE FOR REFERENCE ONLY.

TO ORDER BURNDY PRODUCTS CALL		EQUIPMENT BOND	
UNITED STATES		ITEM NO: 30020086	
1-800-346-4175 (LONDONDERRY, NH)		CAT. NO: WEEB-ATF	
CANADA:		DRAWN BY: M KOVILRAJ 12/24/2012	
1-800-361-6975 (QUEBEC)		CHECKER: P KOVALOV 8/15/2013	
1-800-387-6487 (ALL OTHER PROVINCES)		DSN APRVL: L TROMBLEY 8/20/2013	
FOR PRODUCT INFO: http://www.burndy.com		MFG APRVL: --	
		QA APRVL: C KOWALCZYK 8/14/2013	
		MKT APRVL: S PARSONS 8/14/2013	
		PROD FAM:	
		DRAWING NO	
		50001426	
		REV	
		D	
		SHEET 1 OF 1	