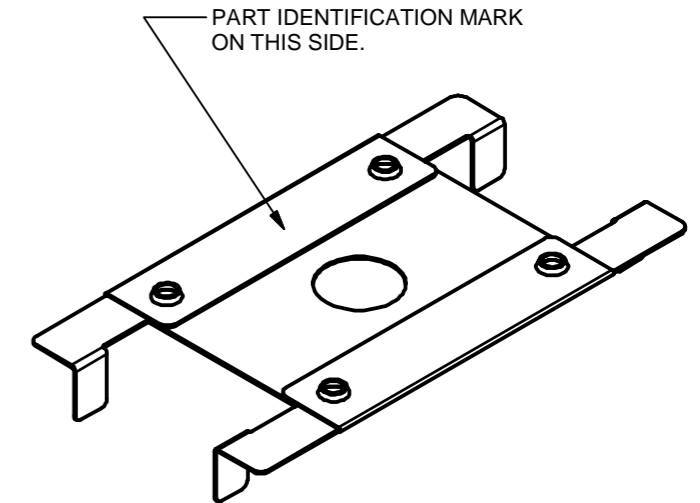
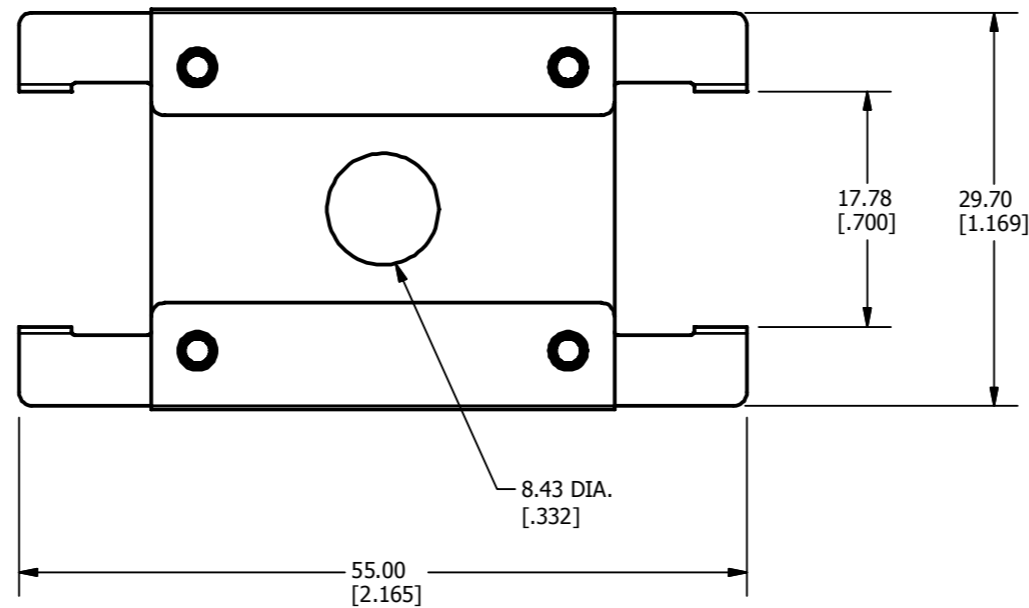
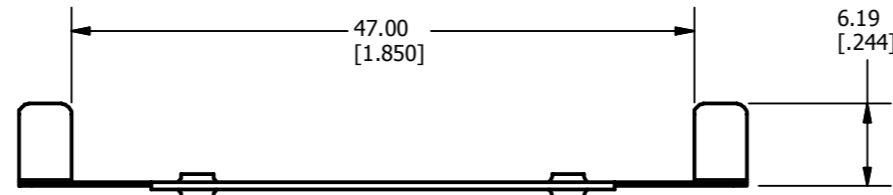
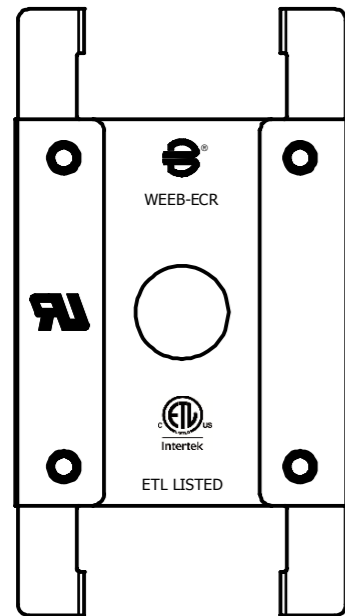


REV	DATE	DESCRIPTION	ECO	BY	CHK.
D	08/28/2013	REMOVED REGISTERED SYMBOL FROM UR MARK	32720	TM	KP



3D VIEW

NOTES:

1. MATERIAL: 304 STAINLESS STEEL
2. DIMENSIONS IN BRACKETS [] ARE IN INCHES ROUNDED OFF TO THE NEAREST TENTH, UNLESS OTHERWISE SPECIFIED AND ARE FOR REFERENCE ONLY.

TO ORDER BURNDY PRODUCTS CALL		EQUIPMENT BOND	
UNITED STATES		ITEM NO: 30020145	
1-800-346-4175 (LONDONDERRY, NH)		CAT. NO: WEEB-ECR	
CANADA:		DRAWN BY: M THAMARAT 08/28/13	
1-800-361-6975 (QUEBEC)		CHECKER: T OLENICK 08/30/13	
1-800-387-6487 (ALL OTHER PROVINCES)		DSN APRVL: P KOVALOV 08/31/13	
FOR PRODUCT INFO: http://www.burndy.com		MFG APRVL: M STEVENS 08/31/13	
		QA APRVL: C KOWALCZYK 09/05/13	
		MKT APRVL: --	
		PROD FAM: --	
		PROJECT #:	
		DRAWING NO	
		50001976	
		REV	
		D	
		SHEET 1 OF 1	