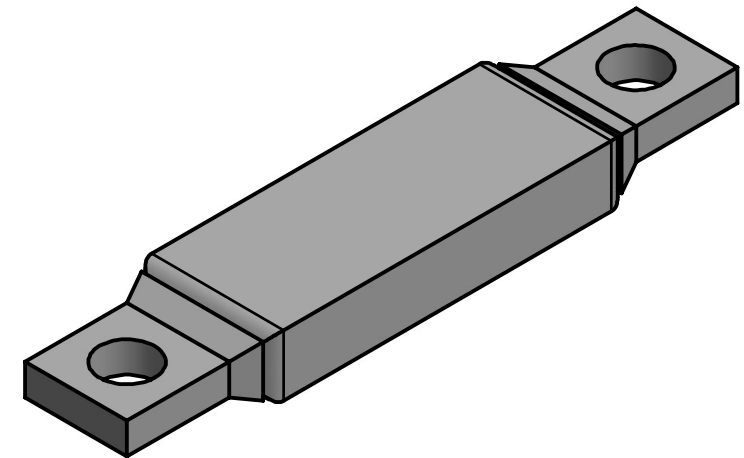
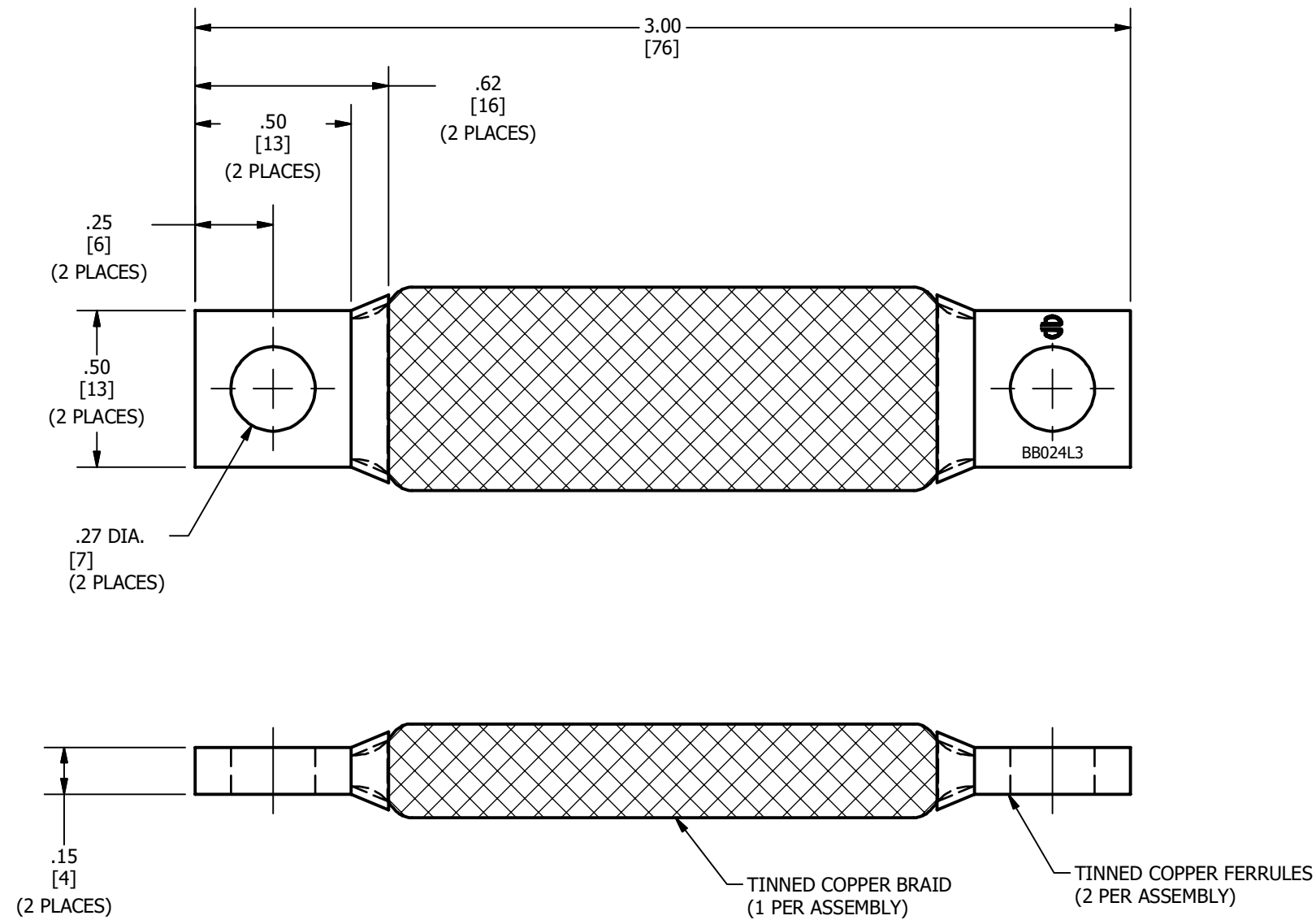


REV	DATE	DESCRIPTION	ECO	BY	CHK.
B	09/14/2018	PRINT REVISION AND CATALOG NUMBER ADJUSTMENT.	49867	WP	PP



NOTE:

1. DIMENSIONS IN BRACKETS [] ARE IN MILLIMETERS ROUNDED OFF TO THE NEAREST MILLIMETER, UNLESS OTHERWISE NOTED, AND ARE FOR REFERENCE ONLY.

TO ORDER BURNDY® PRODUCTS CALL		BRAID, FLEXIBLE	
UNITED STATES		ITEM NO: 10037493	
1-800-346-4175 (LONDONDERRY, NH)		CAT. NO: BB024L3TNKEYCHAIN	
CANADA:		DRAWN BY: B.SURESH BABU 05/22/2012	
1-800-361-6975 (QUEBEC)		CHECKER: E.MARTIN 05-22-2012	
1-800-387-6487 (ALL OTHER PROVINCES)		DSN APRV: E.MARTIN 05-22-2012	
FOR PRODUCT INFO: http://www.burndy.com		MFG APRV: -- --	
		QA APRV: C.ACKERMAN 06-01-2012	
		MKT APRV: K.ROBICHEAU 05-29-2012	
PROD FAM: MECHANICAL GROUNDING	DRAWING NO	REV	
PROJECT #: SALES	SIZE	50002062	B
REL LEVEL: Released	B	SHEET 1 OF 1	