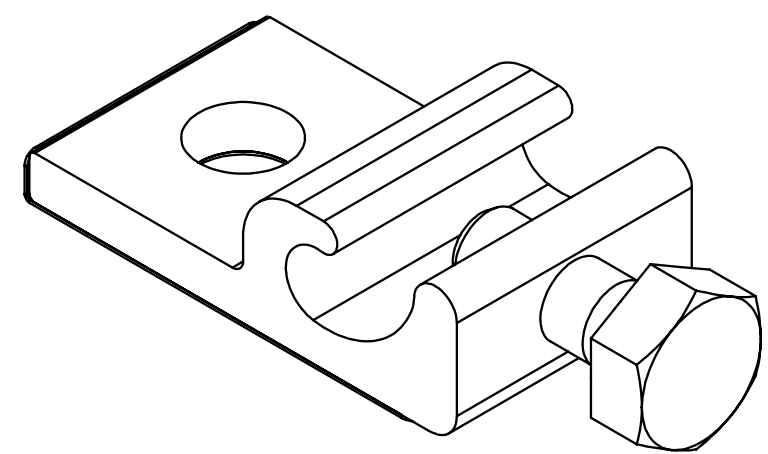
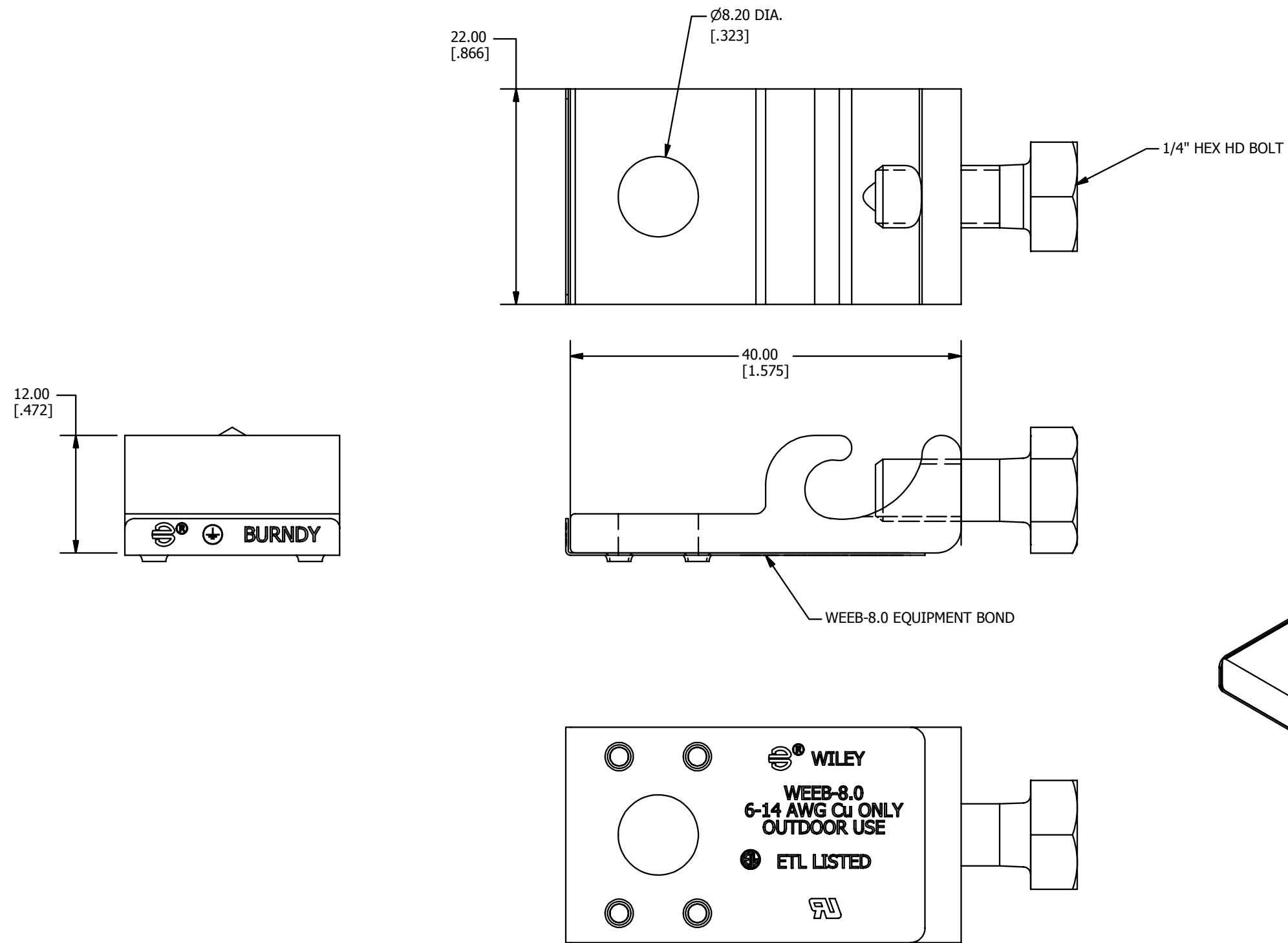
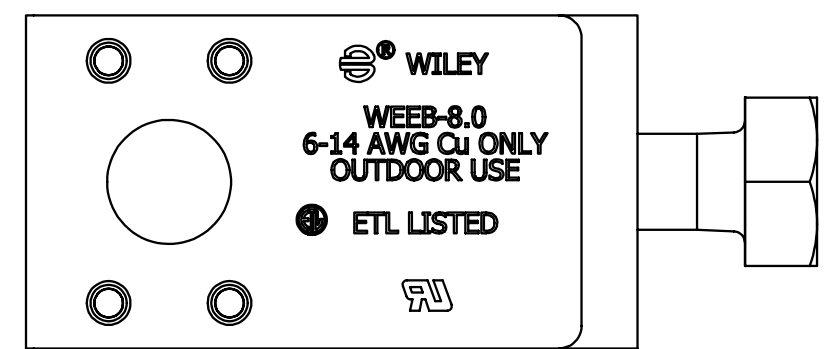


REV	DATE	DESCRIPTION	ECO	BY	C'H.K.
B	7/8/2015	ADDED BOTTOM VIEW	40896	GN	EM



3D VIEW

- NOTES:
1. MATERIAL: TIN PLATED COPPER (BODY).
 2. ACCOMMODATES: 6-14 AWG SOLID OR STRANDED COPPER.
 3. DIMENSIONS IN BRACKETS [] ARE IN INCHES ROUNDED OFF TO THE NEAREST TENTH, UNLESS OTHERWISE SPECIFIED AND ARE FOR REFERENCE ONLY.
 4. LISTED TO UL2703 GROUND LUGS FOR USE WITH PV MODULES STANDARD. LISTED TO UL467 GROUNDING AND BONDING EQUIPMENT STANDARDS.



TO ORDER BURNDY PRODUCTS CALL UNITED STATES 1-800-346-4175 (LONDONDERRY, NH) CANADA: 1-800-361-6975 (QUEBEC) 1-800-387-6487 (ALL OTHER PROVINCES) FOR PRODUCT INFO: http://www.burndy.com		GROUNDING LUG	
		ITEM NO: 30020111 CAT. NO: WEEB-LUG-8.0	
DRAWN BY: GNATHR 07/8/2015 CHECKER: E MARTIN 07/8/2015 DSN APRVL: E MARTIN 07/8/2015 MFG APRVL: QA APRVL: C KOWALCZYK 07/10/2015 MKT APRVL: S PARSONS 07/10/2015			
PROJECT #: DOCUMENT TYPE: Sales REL LEVEL: Released	SIZE: B	DRAWING NO: 50002063	REV: B
		SHEET 1 OF 1	