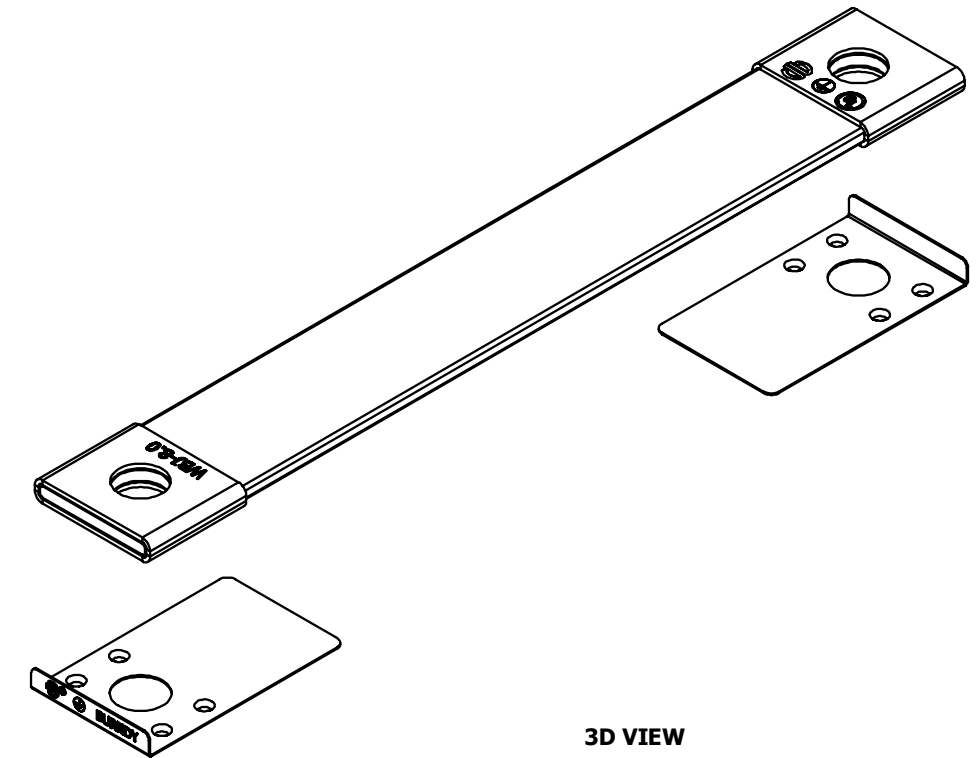
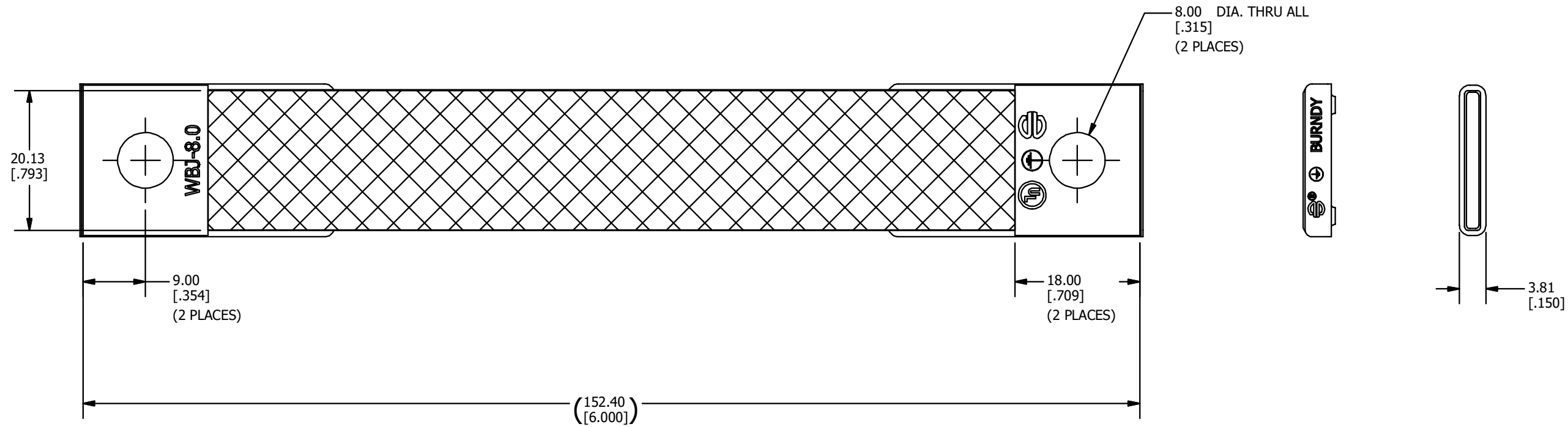



REV	DATE	DESCRIPTION	EC	BY	C'H'K.
C	10/30/2023	DRAWING UPDATE	221110025554	TM	EM



NOTES:

- MATERIAL: BRAID: COPPER
FERRULE: COPPER
FINISH: TIN PLATED
- DIMENSIONS IN BRACKETS [] ARE IN INCHES ROUNDED OFF TO THE NEAREST TENTH, UNLESS OTHERWISE SPECIFIED AND ARE FOR REFERENCE ONLY.
- LISTED TO UL 2703 PHOTOVOLTAIC MOUNTING SYSTEMS STANDARD.

TO ORDER BURNDY® PRODUCTS CALL UNITED STATES 1-800-346-4175 (LONDONDERRY, NH) CANADA: 1-800-387-6487 FOR PRODUCT INFO: http://www.burndy.com		BONDING JUMPER	
		ITEM NO: 30020121 CAT. NO: WEEB-BNDJMP8.0	
DRAWN BY: GNATH 02-25-2015 CHECKER: E.MARTIN 02-19-2015 DSN APRVL: E.MARTIN 02-19-2015 MFG APRVL: M STEVENS 02-20-2015 QA APRVL: C.KOWALCZYK 02-21-2015 MKT APRVL: S.PARSONS 02-20-2015	PROD FAM: WILEY PROJECT #: _____ DOCUMENT TYPE: Sales REL LEVEL: Released	SIZE B	 DRAWING NO 50002064 SHEET 1 OF 1
			REV C