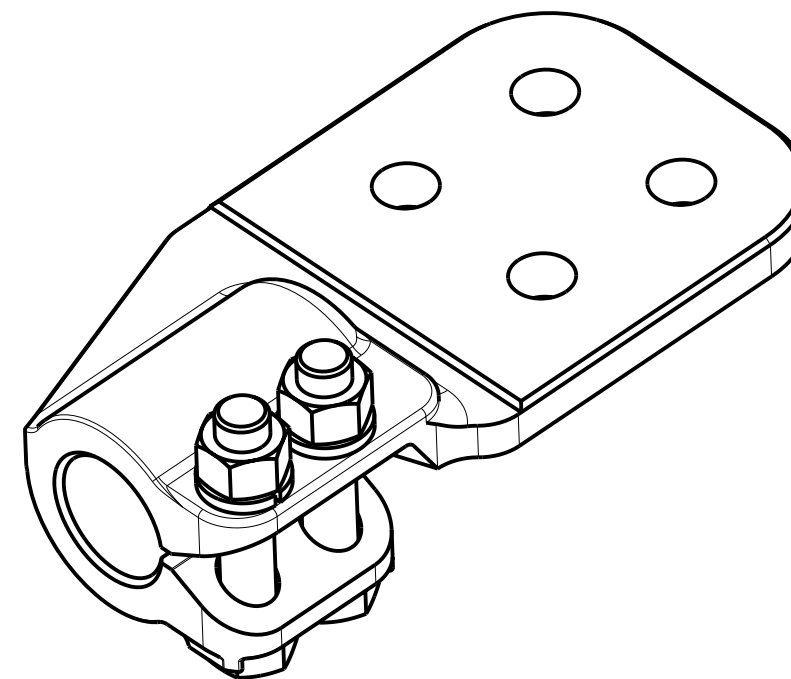
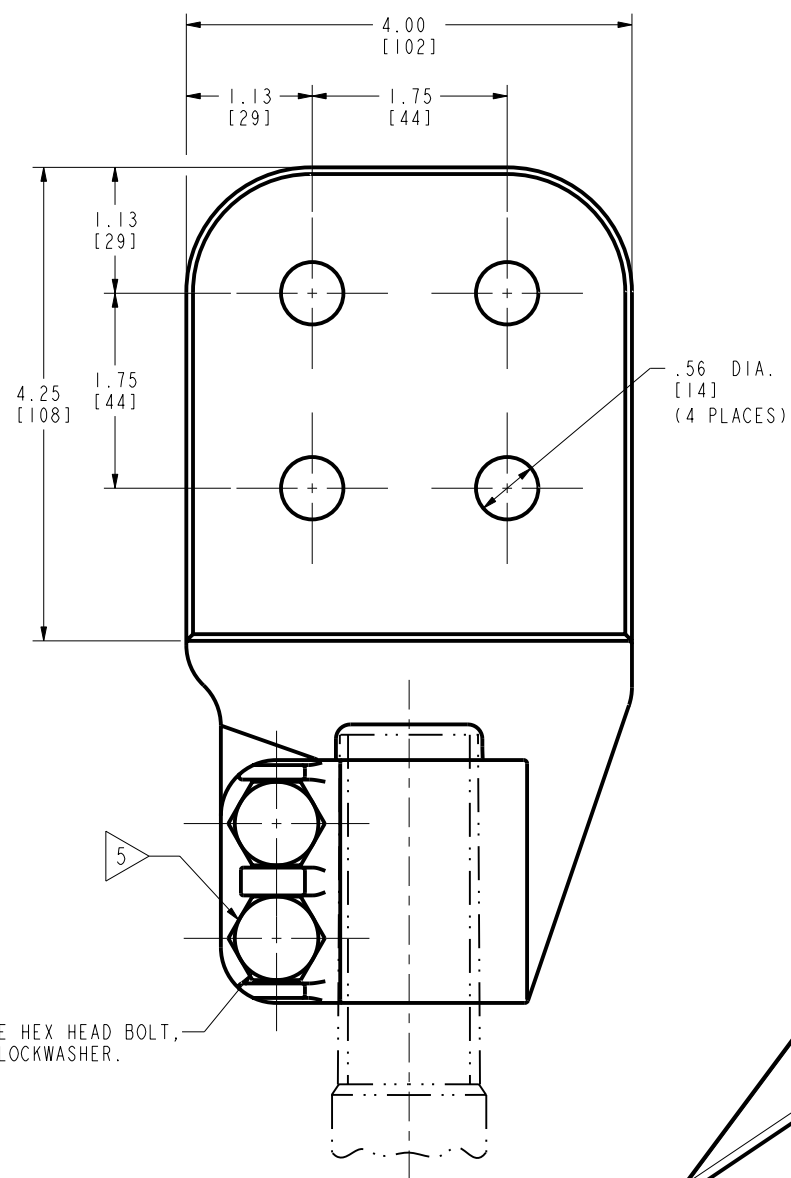
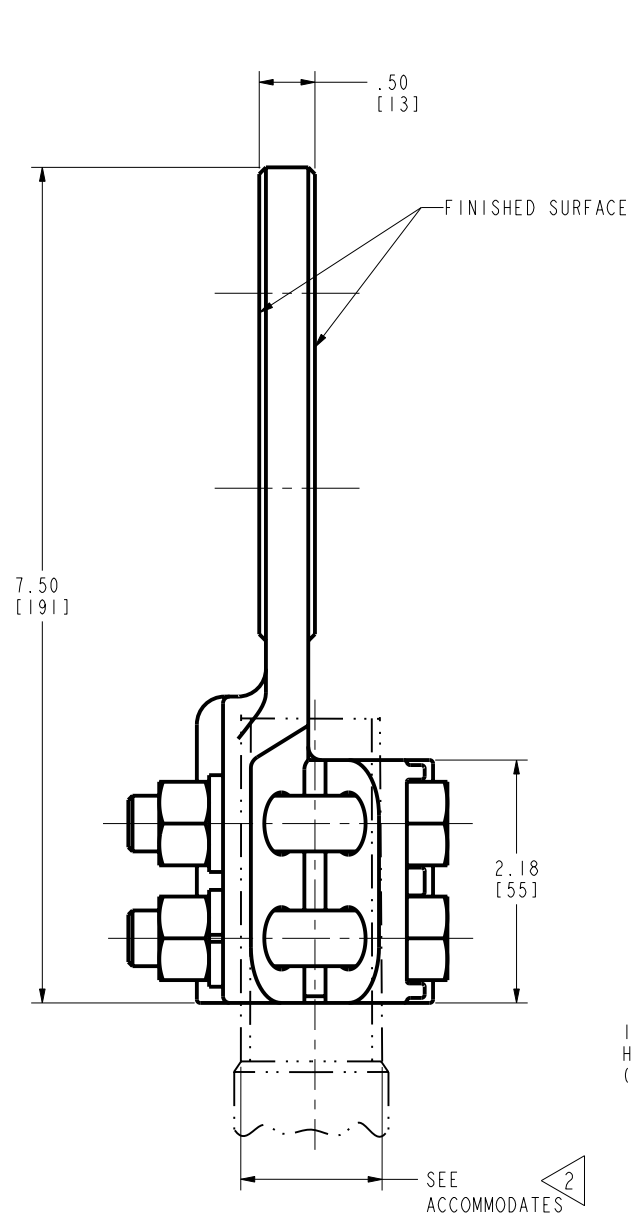


DRAWING NO.
50002097

REV	DATE	DESCRIPTION	ECO	BY	C'H'K.
A	05/23/2012 00:00:00 AM	CREATE A STAND ALONE SALED DRAWING FOR FD658D8T0 - #296142 - DWG# 50002097	27602	BM	RL



3D VIEW

NOTES:

- 1 MATERIAL:
CAST COPPER ALLOY.
- 2 ACCOMMODATES:
1.200 [30] SMOOTH STUD
- 3 DIMENSIONS IN BRACKET [] DENOTES METRIC UNITS [SI UNITS]
AND ARE ROUNDED TO THE NEAREST WHOLE NUMBER UNLESS
OTHERWISE SPECIFIED THESE UNITS SHALL BE USED FOR
REFERENCE ONLY
- 4 NOMINAL BOLT INSTALLATION TORQUE:
1/2" SILICON BRONZE HARDWARE 480 IN-LBS [55 Nm].
- 5 HEX BOLTS CAPTURED TO PREVENT TURNING DURING INSTALLATION.
- 6 MARKING
BURNDY
FD658D8T0
1.200 SMOOTH

TO ORDER BURNDY® PRODUCTS CALL		STUD CONNECTOR	
UNITED STATES 1-800-346-4175 (LONDONDERRY, NH)		ITEM NO: 296142	REV
CANADA: 1-800-361-6975 (QUEBEC) 1-800-387-6487 (ALL OTHER PROVINCES)		CAT. NO: FD658D8T0	A
FOR PRODUCT INFO: http://www.burndy.com		DRAWN BY: A.BALA 05/23/2012	SCALE: 1:1
		CHECKER: NJ SUDHAKAR 05/23/12	DRAWING NO
		DSN APPVL: R.LAVOIE 05/24/12	50002097
		MFG APPVL: -- --	SHEET 1 OF 1
		QA APPVL: J.HILLMAN 05/24/12	
		MKT APPVL: B.MICHAUD 05/24/12	
		PROJ APPVL: -- --	
		DOCUMENT TYPE: Sales	
		REL LEVEL: Released	

REV: PEO200