

| CATALOG NUMBER   | DESCRIPTION                                       | CHARGER CATALOG NUMBER |
|------------------|---|------------------------|
| PATCUT2156-L1    | PATRIOT 2156 LI CUTTER WITH 120V CHARGER          | PATCHGRL1              |
| PATCUT2156-L1DC  | PATRIOT 2156 LI CUTTER WITH 12V CHARGER           | PATCHGRL1DC            |
| PATCUT2156-L1LCB | PATRIOT 2156 LI CUTTER LESS CHARGER AND BATTERIES | NO CHARGER             |

| REV. | DATE                    | DESCRIPTION           | ECO   | BY | C'H'K. |
|------|-------------------------|-----------------------|-------|----|--------|
| C    | 2018-09-07 00:00:00 EDT | UPDATED AS PER MARKUP | 49802 | RS | RM     |

\*\*\* BILL OF MATERIAL \*\*\*

| PT NO. | CATALOG NO.   | QTY | DESCRIPTION   |
|--------|---------------|-----|---|
| 1      | PATCASEL1     | 1   | CASE, TOOL PATRIOT LITHIUM ION                              |
| 2      | BAT18VLI      | 2   | BATTERY, MAKITA LITHIUM ION 18V 3.0 Ah                      |
| 3      | PATCHGRL1     | 1   | CHARGER, BATTERY LITHIUM ION                                |
| 4      | BATCHGRLIOMI  | 1   | BATTERY CHARGER SAFETY OPERATING MAINTENANCE & INSTRUCTIONS |
| 5      | PT208620      | 1   | LANYARD   |
| 6      | PATCUT2156OMI | 1   | SOMI, PATCUT2156  |
| 7      | PT20443801    | 1   | FIVE YEAR WARRANTY CARD                                     |
| 8      | DOCWMSDS      | 1   | MSDS, LITHIUM ION BATTERY                                   |

FEATURES AND BENEFITS

- REFINED HYDRAULIC SYSTEM FOR ULTRA PERFORMANCE, SPEED AND RELIABILITY.
- FIELD PROVEN ELECTRONICS FOR ULTIMATE RELIABILITY IN THE HARSHTEST ENVIRONMENTS.
- OVERMOLDED HANDLE FOR COMFORT AND IMPROVED GRIP; ALLOWS FOR ONE HANDED OPERATION FOR ADVANCE RETRACT AND HOLD.
- SPECIALIZED LATCH HEAD DESIGN FOR INTERFERENCE FREE CLOSURE FOR MID-SPAN CUTS.
- MAKITA 18 VOLT LITHIUM-ION BATTERIES PROVIDE 2.5 TIMES MORE CHARGE/DISCHARGE CYCLES THAN TRADITIONAL Ni-Cd BATTERIES AND PROVIDE 430% MORE LIFETIME WORK.
- MAKITA 30 MINUTE CHARGER CONTROLS CURRENT, VOLTAGE AND TEMPERATURE TO MAXIMIZE BATTERY LIFE.
- FORCED AIR COOLING FAN COOLS THE BATTERY BY FORCING COOL AIR THROUGH THE BATTERY'S BUILT IN AIR VENTS.
- 180° HEAD ROTATION ALLOWS USER TO GET INTO TIGHT AREAS EASIER.
- ERGONOMICALLY BALANCED TOOL DESIGN EASES OPERATION AND LESSENS FATIGUE.
- DURABLE HIGH IMPACT FORMED CARRYING CASE PROVIDES SUPERIOR PROTECTION AND STORES ALL ACCESSORIES.
- MECHANICAL RAM RELEASE: PROVIDES CONSISTENT, RELIABLE RAM RETRACTION (NO BATTERY POWER CONSUMPTION)
- 5 YEAR LIMITED WARRANTY ON THE TOOL (EXCLUDING BLADES).
- LIFETIME WARRANTY ON INFINITY DRIVE
- 3 YEAR LIMITED WARRANTY ON THE BATTERIES AND CHARGER.

PATRIOT®

BATTERY ACTUATED TOOL - HYDRAULIC SELF CONTAINED

SPECIFICATIONS

TOOL WEIGHT: 15.5 LBS [7 kg]  
 LENGTH: 16.46 INCHES [418 mm]  
 WIDTH: 3.27 INCHES [83 mm]  
 HEIGHT: 13.66 INCHES [339 mm]  
 OPERATING VOLTAGE: 18V-DC  
 RECHARGE TIME: < 45 MINUTES

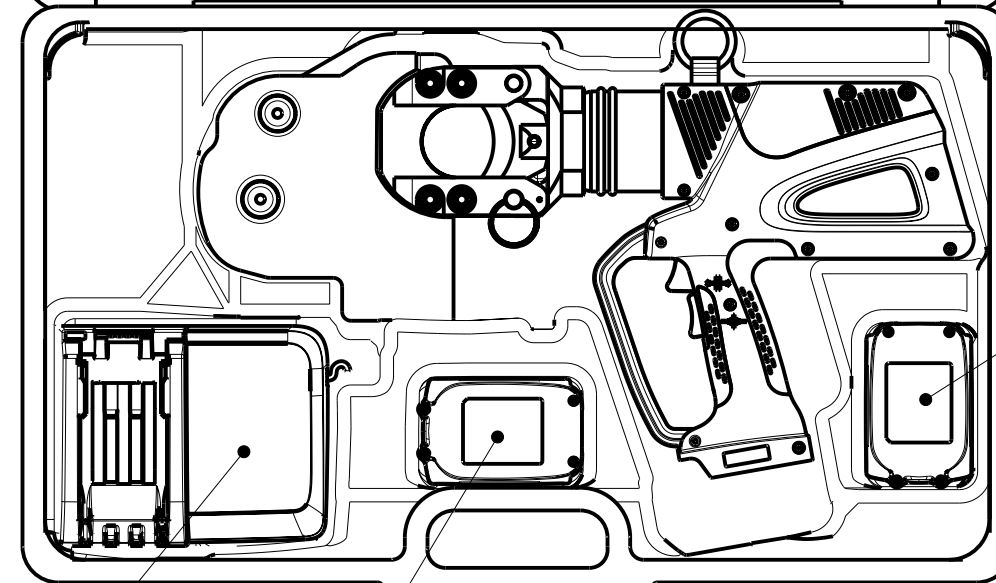
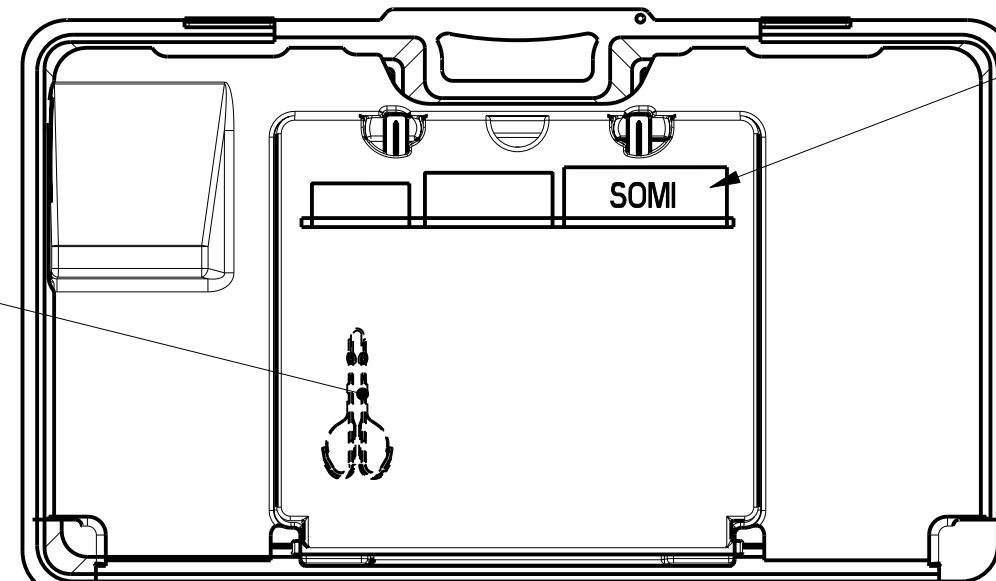
1. READ AND FOLLOW ALL INSTRUCTIONS PROVIDED BY OPERATORS MANUAL, AND WARNING LABELS BEFORE USING THIS TOOL.

2. KIT SHIPPED LESS CHARGER AND BATTERIES FOR EXPORT SALES.

3. DIMENSIONS IN BRACKETS [ ] ARE IN MILLIMETERS ROUNDED OFF TO THE NEAREST MILLIMETER, UNLESS OTHERWISE NOTED AND ARE FOR REFERENCE ONLY.

| MATERIAL         | MAX OD     |         |
|------------------|------------|---------|
| ACSR             | 2156 KCMIL |         |
| Cu & Al          | 2.0"       | (51 mm) |
| GROUND ROD       | 3/4"       | (19 mm) |
| REBAR            | 5/8"       | (16 mm) |
| SOFT STEEL BOLTS | 3/4"       | (19 mm) |
| STD. GUY WIRE    | 9/16"      | (14 mm) |
| EHS GUY WIRE     | 9/16"      | (14 mm) |

SAFETY LANYARD



2 BATTERY CHARGER

2 BATTERY

BATTERY

- TOOL ACCEPTS 18V MAKITA LITHIUM ION BATTERIES, BL SERIES OF SIZE 2.0 AHR AND GREATER IF THE PLASTIC BATTERY CLIP IN THE TOOL HAS A "STAR" MOLDED INTO IT. THE "STAR" IDENTIFIES ACCEPTANCE OF THE BL SERIES BATTERIES.
- FOR TOOLS WHICH DO NOT HAVE A "STAR" MOLDED INTO THE PLASTIC BATTERY CLIP, USE IS LIMITED TO THE BL 1830 (3.0 AHR) BATTERY. FORCING ANY OTHER BATTERY INTO THIS TOOL WILL VOID THE WARRANTY.



TO ORDER BURNDY® PRODUCTS CALL  
 UNITED STATES:  
 1-800-346-4175 (LONDONDERRY, NH)  
 CANADA:  
 1-800-361-6975 (QUEBEC)  
 1-800-387-6487 (ALL OTHER PROVINCES)  
 FOR PRODUCT INFO: <http://www.burndy.com>

| PATRIOT LATCH CUTTER     |            |              |     |
|--------------------------|------------|--------------|-----|
| ITEM NO: 50002797        |            |              |     |
| CAT. NO: PATCUT2156-L1   |            |              |     |
| DRAWN BY: T. FAUCHER     | 04/29/2013 |              |     |
| CHECKER: L. BROWN        | 04/29/2013 |              |     |
| DSN APPVL: M. CHIASSON   | 05/24/2013 |              |     |
| MFG APPVL: S. GONYAW     | 05/30/2013 |              |     |
| QA APPVL: J. BRODEUR     | 05/24/2013 |              |     |
| MKT APPVL: D. OWENS      | 05/24/2013 |              |     |
| PROD FAM: TOOLS, BATTERY |            | DRAWING NO   | REV |
| PROJECT #: 14396         | SIZE       | 50002799     | C   |
| DOCUMENT TYPE: Sales     | B          | SHEET 1 OF 1 |     |
| REL LEVEL: Released      |            |              |     |

REV: PE0200