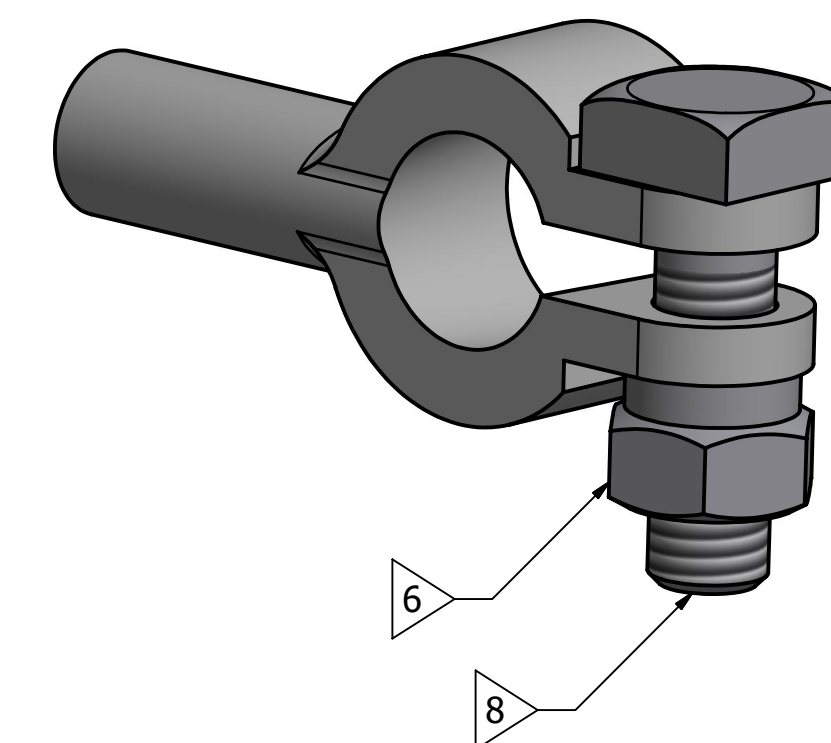
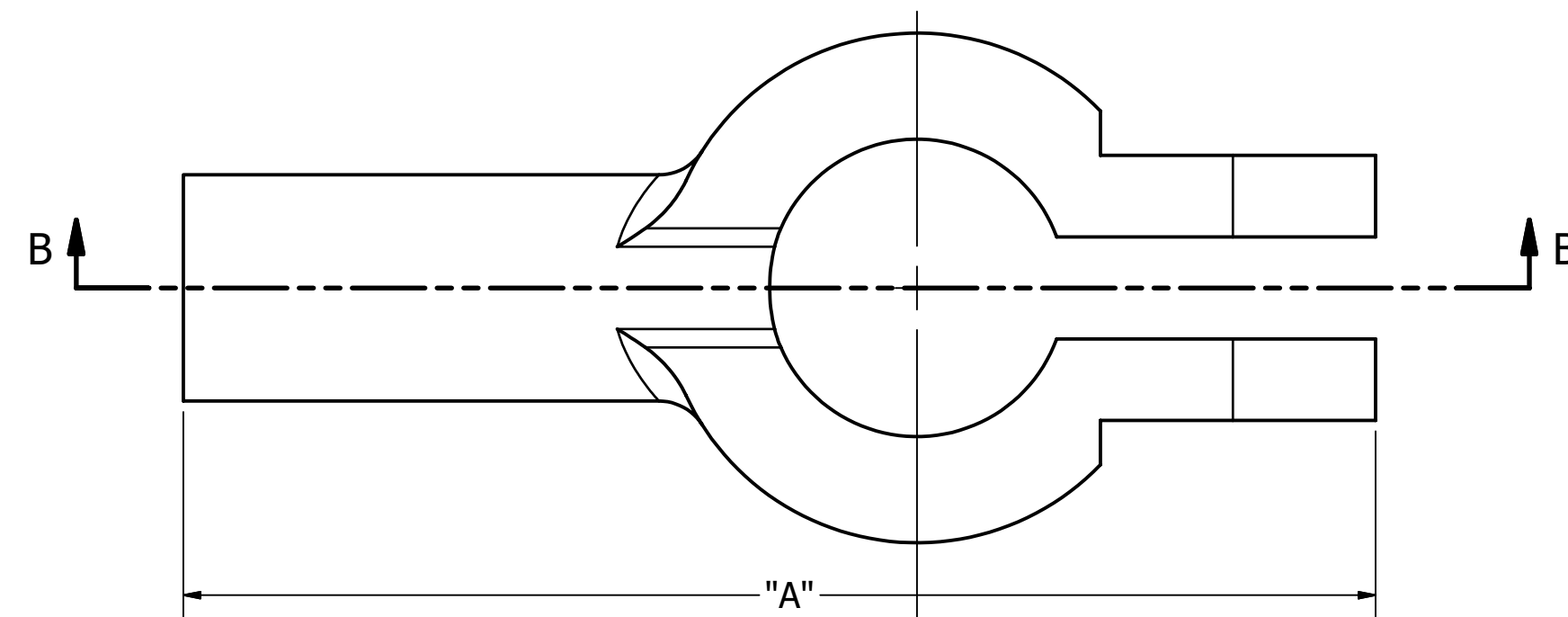
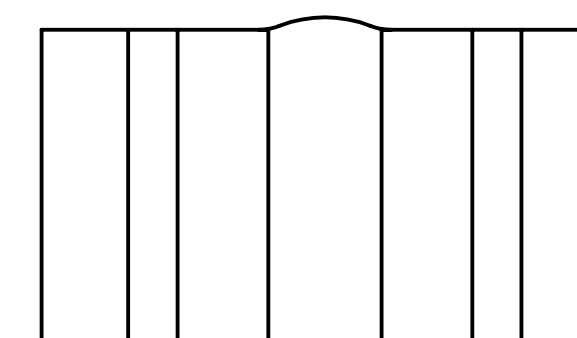
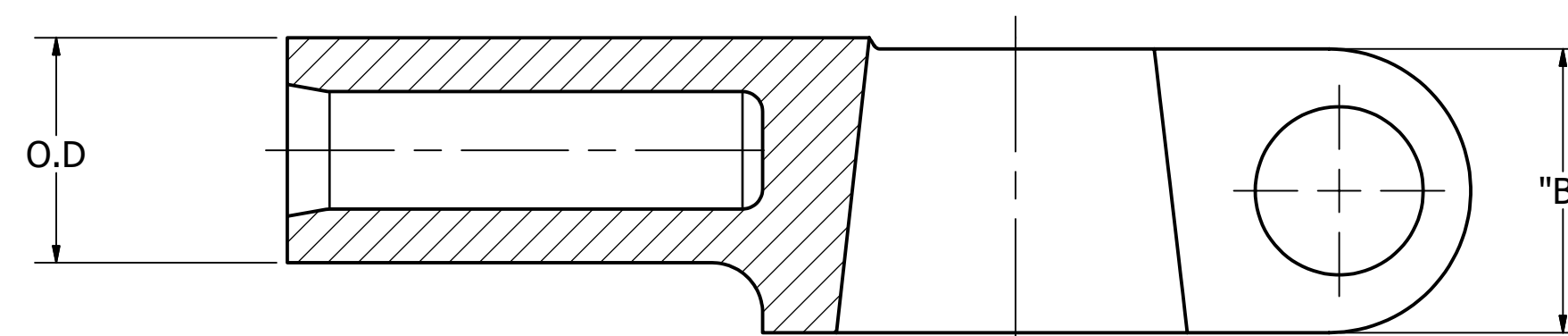


STANDARD PACKAGING			OEM BULK PACKAGING			WIRE SIZE	CONNECTOR MARKING	POLARITY	DIMENSIONS				BURNDY INSTALLATION TOOLING (# CRIMPS)					RECOMMENDED TORQUE WET OR DRY BURNDY PENETROX™ 13 RECOMMENDED
BURNDY Catalog Number	BURNDY Item Number	BOX QTY	BURNDY Catalog Number	BURNDY Item Number	BOX QTY				"A"	O.D.	"B"	STRIP LENGTH	DIE INDEX	COLOR CODE	MECH MD7-34R MD6	HYDRAULIC PATMD6 PAT600	Y35, Y750, PAT 750	
YAEBAS6CNTN	50000957	10	YAEBAS6CNTNOEM	50001007	200	#6	BLACK/BLUE	N	2.30 [59]	0.44 [11]	0.55 [14]	1-3/32"	7	BLUE	W5CVT (1) W5CRT (1)	W5CVT (1) W5CRT (1)	U5CRT (1)	72 IN/LB ± 12 IN/LB
YAEBAS6CPTN	50000958	10	YAEBAS6CPTNOEM	50001008	200	#6	RED/BLUE	P	2.30 [59]	0.44 [11]	0.55 [14]	1-3/32"	7	BLUE	W5CVT (1) W5CRT (1)	W5CVT (1) W5CRT (1)	U5CRT (1)	
YAEBAS4CNTN	50000959	10	YAEBAS4CNTNOEM	50001009	200	#4	BLACK/GRAY	N	2.30 [59]	0.44 [11]	0.55 [14]	1-3/32"	8	GRAY	W4CVT (1) W4CRT (1)	W4CVT (1) W4CRT (1)	U4CRT (1)	
YAEBAS4CPTN	50000960	10	YAEBAS4CPTNOEM	50001010	200	#4	RED/GRAY	P	2.30 [59]	0.44 [11]	0.55 [14]	1-3/32"	8	GRAY	W4CVT (1) W4CRT (1)	W4CVT (1) W4CRT (1)	U4CRT (1)	
YAEBAS2CNTN	50000961	10	YAEBAS2CNTNOEM	30008164	200	#2	BLACK/GREEN	N	2.30 [59]	0.47 [12]	0.55 [14]	1-3/32"	10	BROWN	W2CVT (1) W2CRT (1)	W2CVT (1) W2CRT (1)	U2CRT (1)	
YAEBAS2CPTN	50000962	10	YAEBAS2CPTNOEM	30011847	200	#2	RED/GREEN	P	2.30 [59]	0.47 [12]	0.55 [14]	1-3/32"	10	BROWN	W2CVT (1) W2CRT (1)	W2CVT (1) W2CRT (1)	U2CRT (1)	
YAEBAS1CNTN	50000963	10	YAEBAS1CNTNOEM	30008220	200	#1	BLACK/PINK	N	2.30 [59]	0.49 [13]	0.55 [14]	1-3/32"	11	GREEN	W1CVT (1) W1CRT (1)	W1CVT (1) W1CRT (1)	U1CRT-1 (1)	
YAEBAS1CPTN	50000964	10	YAEBAS1CPTNOEM	50001011	200	#1	RED/PINK	P	2.30 [59]	0.49 [13]	0.55 [14]	1-3/32"	11	GREEN	W1CVT (1) W1CRT (1)	W1CVT (1) W1CRT (1)	U1CRT-1 (1)	
YAEBAS25NTN	50000965	10	YAEBAS25NTNOEM	30008218	200	1/0	BLACK/BLACK	N	2.36 [60]	0.56 [14]	0.55 [14]	1-3/32"	12	PINK	W25VT (2) W25RT (2)	W25VT (2) W25RT (2)	U25RT (1)	
YAEBAS25PTN	50000966	10	YAEBAS25PTNOEM	30008219	200	1/0	RED/BLACK	P	2.36 [60]	0.56 [14]	0.55 [14]	1-3/32"	12	PINK	W25VT (2) W25RT (2)	W25VT (2) W25RT (2)	U25RT (1)	
YAEBAS26NTN	50000967	10	YAEBAS26NTNOEM	30008222	200	2/0	BLACK/ORANGE	N	2.36 [60]	0.63 [16]	0.63 [16]	1-3/32"	13	BLACK	W26VT (2) W26RT (2)	W26VT (2) W26RT (2)	U26RT (1)	
YAEBAS26PTN	50000968	10	YAEBAS26PTNOEM	30008223	200	2/0	RED/ORANGE	P	2.36 [60]	0.63 [16]	0.63 [16]	1-3/32"	13	BLACK	W26VT (2) W26RT (2)	W26VT (2) W26RT (2)	U26RT (1)	
YAEBAS27NTN	50000969	10	YAEBAS27NTNOEM	50001012	150	3/0	BLACK/PURPLE	N	2.36 [60]	0.70 [18]	0.63 [16]	1-3/32"	14	ORANGE	W27VT (2) W27RT (2)	W27VT (2) W27RT (2)	U27RT (1)	
YAEBAS27PTN	50000970	10	YAEBAS27PTNOEM	50001013	150	3/0	RED/PURPLE	P	2.36 [60]	0.70 [18]	0.63 [16]	1-3/32"	14	ORANGE	W27VT (2) W27RT (2)	W27VT (2) W27RT (2)	U27RT (1)	
YAEBAS28NTN	50000971	10	YAEBAS28NTNOEM	30008226	150	4/0	BLACK/YELLOW	N	2.36 [60]	0.77 [20]	0.63 [16]	1-3/32"	15	PURPLE	W28VT (2) W28RT (2)	W28VT (2) W28RT (2)	U28RT (1)	
YAEBAS28PTN	50000972	10	YAEBAS28PTNOEM	30008227	150	4/0	RED/YELLOW	P	2.36 [60]	0.77 [20]	0.63 [16]	1-3/32"	15	PURPLE	W28VT (2) W28RT (2)	W28VT (2) W28RT (2)	U28RT (1)	

NOTES:

- MATERIAL : COPPER.
- FINISH: TIN PLATED.
- TERMINAL : HEAVY DUTY. ACCOMMODATES CLASS: B, C, G, H, I, K STRANDED COPPER CONDUCTOR.
- PACKAGE QUANTITY:
STANDARD PACKAGE - 10
OEM PACKAGE - SEE TABLE
- DIMENSIONS IN BRACKETS [] ARE IN MILLIMETERS ROUNDED OFF TO THE NEAREST MILLIMETER, UNLESS OTHERWISE SPECIFIED AND ARE FOR REFERENCE ONLY.
- STAINLESS STEEL HARDWARE IS INCLUDED WITH EACH CONNECTOR.
- ACCOMMODATES THE FOLLOWING BATTERY POST TYPES:
TYPE A - SAE
TYPE A1 - DIN
TYPE A2 - EN/JIS
TYPE A3 - JIS PENCIL POST
TYPE M - MARINE
TYPE M1 - MARINE.
- SOLUTION 240 MARINE GRADE ANTI-SEIZE COATING ON BOLT.



REV	DATE	DESCRIPTION	ECO	BY	C'H'K.
D	05/25/2018	INCLUDE NOTE ABOUT SOLUTION 2400 MARINE GRADE ANTI-SIEZE	48963	RB	VS

TO ORDER BURNDY® PRODUCTS CALL
 UNITED STATES
 1-800-346-4175 (LONDONDERRY, NH)
 CANADA:
 1-800-361-6975 (QUEBEC)
 1-800-387-6487 (ALL OTHER PROVINCES)
 FOR PRODUCT INFO: <http://www.burndy.com>

BATTERY POST CONNECTOR TERMINAL			
ITEM NO: SEE TABLE			
CAT. NO: YAEBAS---TN, YAEBAS---TNOEM (TABLE)			
DRAWN BY: V.KAMAL	10-10-2012		
CHECKER: A.MONTMINY	09-10-2012		
DSN APRVL: A.MONTMINY	08-10-2012		
MFG APRVL: --			
QA APRVL: J BODEUR	08-10-2012		
MKT APRVL: J.SYLVIA	07-10-2012		
PROJ FAM: --		DRAWING NO	REV
PROJECT #: --	SIZE	50004535	D
DOCUMENT TYPE: SALES	D	SHEET 1 OF 1	
REL LEVEL: Released			