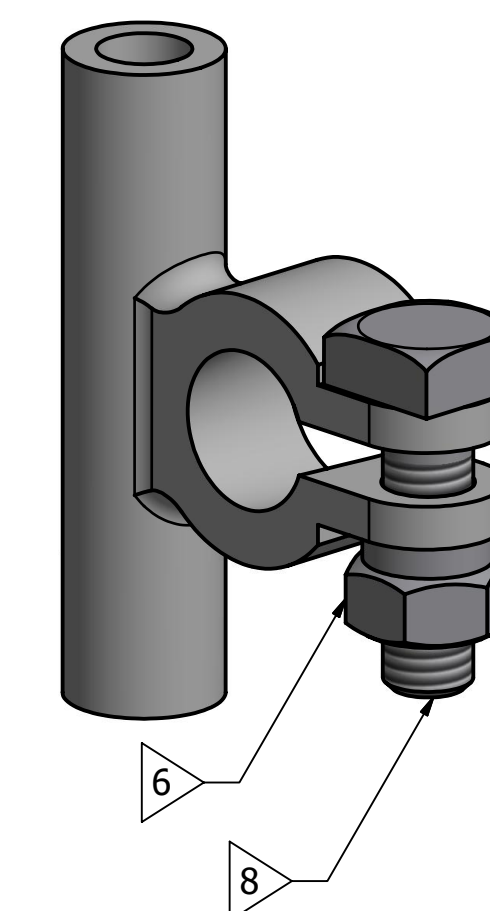
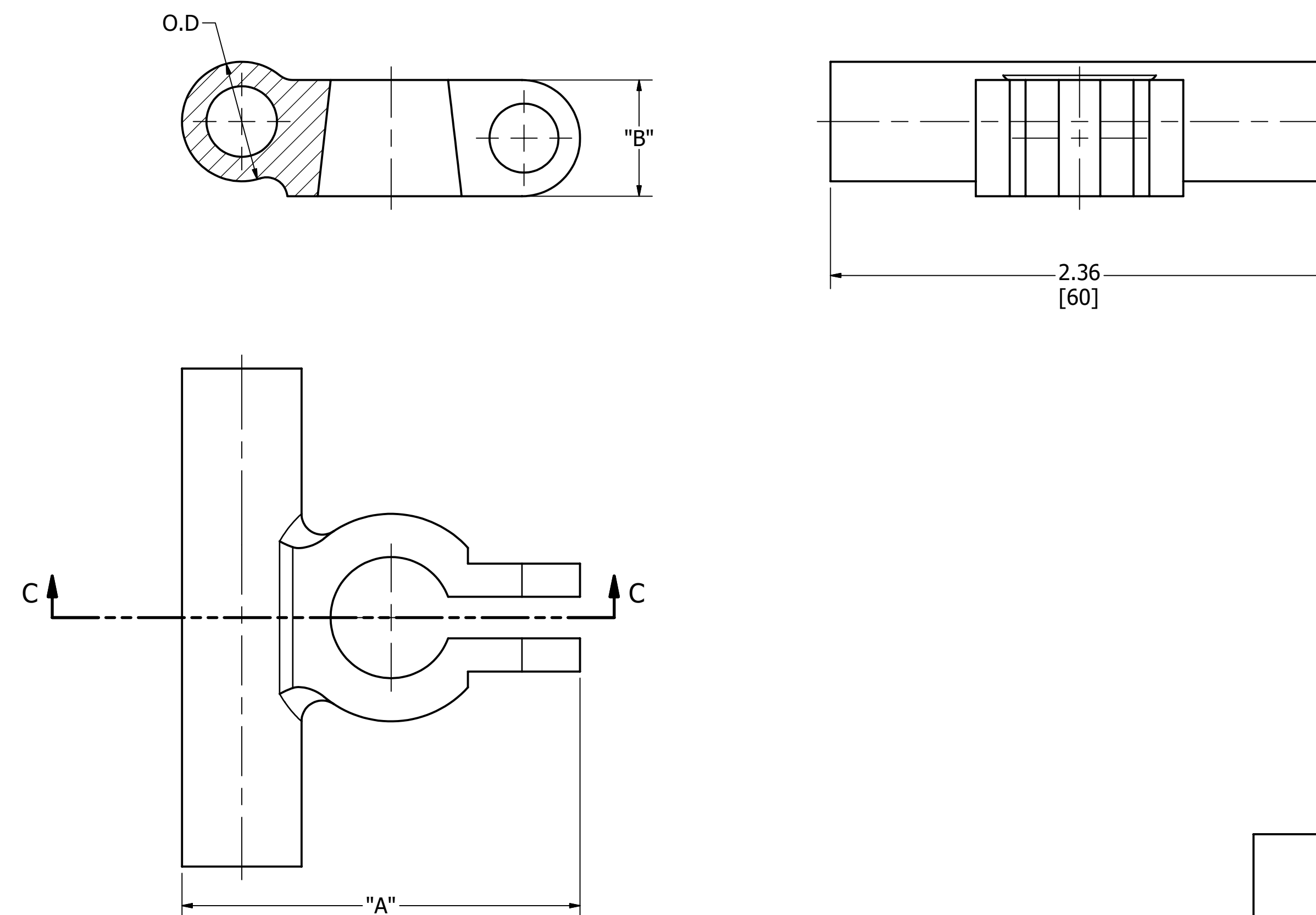


STANDARD PACKAGING			OEM BULK PACKAGING			WIRE SIZE	CONNECTOR MARKING	POLARITY	DIMENSIONS				BURNDY INSTALLATION TOOLING (# CRIMPS)					RECOMMENDED TORQUE WET OR DRY BURNDY PENETROX™ 13 RECOMMENDED
BURNDY Catalog Number	BURNDY Item Number	BOX QTY	BURNDY Catalog Number	BURNDY Item Number	BOX QTY				"A"	O.D	"B"	STRIP LENGTH	DIE INDEX	COLOR CODE	MECH MD7-34R MD6	HYDRAULIC PATMD6 Y35, Y750, PAT 750		
YAEBAF2CNTN	50000945	10	YAEBAF2CNTNOEM	50001000	200	#2	BLACK/GREEN	N	1.89 [48]	0.57 [14]	.55 [14]	1 -9/32"	10	BROWN	W2CVT (1) W2CRT (1)	W2CVT (1) W2CRT (1)	U2CRT (1)	MECHANICAL MY29-11 (1) MRC840 (1) 72 IN/LB ± 12 IN/LB
YAEBAF2CPTN	50000946	10	YAEBAF2CPTNOEM	50001001	200	#2	RED/GREEN	P	1.89 [48]	0.57 [14]	.55 [14]	1 -9/32"						
YAEBAF1CNTN	50000947	10	YAEBAF1CNTNOEM	50001002	200	#1	BLACK/PINK	N	1.89 [48]	0.57 [14]	.55 [14]	1 -9/32"	11	GREEN	W1CVT (1) W1CRT (1)	W1CVT (1) W1CRT (1)	U1CRT-1 (1)	
YAEBAF1CPTN	50000948	10	YAEBAF1CPTNOEM	50001003	200	#1	RED/PINK	P	1.89 [48]	0.57 [14]	.55 [14]	1 -9/32"						
YAEBAF25NTN	50000949	10	YAEBAF25NTNOEM	30008216	200	1/0	BLACK/BLACK	N	1.89 [48]	0.57 [14]	.55 [14]	1 -9/32"	12	PINK	W25RT (2) W25VT (2)	W25RT (2) W25VT (2)	U25RT (1)	
YAEBAF25PTN	50000950	10	YAEBAF25PTNOEM	30008217	200	1/0	RED/BLACK	P	1.89 [48]	0.57 [14]	.55 [14]	1 -9/32"						
YAEBAF26NTN	50000951	10	YAEBAF26NTNOEM	50001004	100	2/0	BLACK/ORANGE	N	1.97 [50]	0.65 [16]	0.63 [16]	1 -9/32"	13	BLACK	W26RT (2) W26VT (2)	W26RT (2) W26VT (2)	U26RT (1)	
YAEBAF26PTN	50000952	10	YAEBAF26PTNOEM	30008221	100	2/0	RED/ORANGE	P	1.97 [50]	0.65 [16]	0.63 [16]	1 -9/32"						
YAEBAF27NTN	50000953	10	YAEBAF27NTNOEM	50001005	100	3/0	BLACK/PURPLE	N	2.01 [51]	0.72 [18]	0.63 [16]	1 -9/32"	14	ORANGE	W27RT (2) W27VT (2)	W27RT (2) W27VT (2)	U27RT (1)	
YAEBAF27PTN	50000954	10	YAEBAF27PTNOEM	50001006	100	3/0	RED/PURPLE	P	2.01 [51]	0.72 [18]	0.63 [16]	1 -9/32"						
YAEBAF28NTN	50000955	10	YAEBAF28NTNOEM	30008224	100	4/0	BLACK/YELLOW	N	2.01 [51]	0.80 [20]	0.63 [16]	1 -9/32"	15	PURPLE	W28RT (2) W28VT (2)	W28RT (2) W28VT (2)	U28RT (1)	
YAEBAF28PTN	50000956	10	YAEBAF28PTNOEM	30008225	100	4/0	RED/YELLOW	P	2.01 [51]	0.80 [20]	0.63 [16]	1 -9/32"						

NOTES:

- MATERIAL : COPPER.
- FINISH: TIN PLATED.
- TERMINAL : HEAVY DUTY. ACCOMMODATES CLASS B,C,H,I,K COPPER STRANDED CONDUCTOR.
- PACKAGE QUANTITY:
STANDARD PACKAGE - 10
OEM PACKAGE - SEE TABLE
- DIMENSIONS IN BRACKETS [] ARE IN MILLIMETERS ROUNDED OFF TO THE NEAREST MILLIMETER, UNLESS OTHERWISE SPECIFIED AND ARE FOR REFERENCE ONLY.
- STAINLESS STEEL HARDWARE IS INCLUDED WITH EACH CONNECTOR.
- ACCOMMODATES THE FOLLOWING BATTERY POST TYPES:
TYPE A - SAE
TYPE A1 - DIN
TYPE A2 - EN/JIS
TYPE A3 - JIS PENCIL POST
TYPE M - MARINE
TYPE M1 - MARINE
- SOLUTION 240 MARINE GRADE ANTI-SEIZE COATING ON BOLT.



TO ORDER BURNDY® PRODUCTS CALL		T TYPE BATTERY POST CONNECTOR TERMINAL	
UNITED STATES 1-800-346-4175 (LONDONDERRY, NH)		ITEM NO: SEE TABLE	
CANADA: 1-800-361-6975 (QUEBEC) 1-800-387-6487 (ALL OTHER PROVINCES)		CAT. NO: YAEBAF---TN, YAEBAF---TNOEM (TABLE)	
FOR PRODUCT INFO: http://www.burndy.com		DRAWN BY: R.VINOTH 22-06-2012	
		CHECKER: A.MONTMINY 19-11-2012	
		DSN APRVL: A.MONTMINY 19-11-2012	
		MFG APRVL: --	
		QA APRVL: C.KOWALCZYK 21-11-2012	
		MKT APRVL: J.SYLVIA 20-11-2012	
		PROD FAM: --	
		PROJECT #: --	
		SIZE	
		D	
		DOCUMENT TYPE: SALES	
		REL LEVEL: Released	
		DRAWING NO	
		50004536	
		SHEET 1 OF 1	
		REV	
		C	

REV	DATE	DESCRIPTION	ECO	BY	C'H'K.
C	04/25/2018	INCLUDE NOTE ABOUT SOLUTION 2400 MARINE GRADE ANTI-SIEZE	48963	RB	VS