

| DRAWING NO.<br>50004695 |             | 7    |                               | 6          |            | 5          |           | 4          |            | 3          |            | 2           |            | 1          |            |            |
|-------------------------|-------------|------|-------------------------------|------------|------------|------------|-----------|------------|------------|------------|------------|-------------|------------|------------|------------|------------|
| ITEM NO.                | CATALOG NO. | FIG. | ACCOMMODATES, ALUMINUM TUBE   | B          | C          | D          | E         | F          | H          | J          | K          | L REF.      | W          | N          | T          | Y          |
| 50032964                | NA13A4N90   | 2    | 1/2" IPS (.840 [21] DIA.)     | 3.00 [76]  | 3.00 [76]  | 3.00 [76]  | 1.75 [44] | 1.75 [44]  | 3.38 [86]  | 1/2"-13    | .56 [14]   | 6.47 [164]  | 2.58 [66]  | .63 [16]   | .38 [10]   | 4.53 [115] |
| 25006505                | NA14A2N90   | 1    | 3/4" IPS (1.050 [27] DIA.)    | 3.25 [83]  | 1.62 [41]  | 3.00 [76]  | 1.75 [44] | ---        | 3.28 [83]  | 1/2"-13    | .56 [14]   | 6.00 [152]  | 2.80 [71]  | .63 [16]   | .38 [10]   | 4.29 [109] |
| 30006165                | NA14A34N90  | 2    |                               | 3.00 [76]  | 3.00 [76]  | 1.75 [44]  | 1.75 [44] | 3.63 [92]  | 6.47 [164] |            | 6.47 [164] | 2.80 [71]   | .63 [16]   | .38 [10]   | 4.53 [115] |            |
| 25018054                | NA15A2N90   | 1    | 1" SPS (1.315 [33] DIA.)      | 3.50 [89]  | 1.88 [48]  | 3.00 [76]  | 1.75 [44] | 1.75 [44]  | 3.88 [99]  | 1/2"-13    | .56 [14]   | 6.50 [165]  | 3.06 [78]  | .63 [16]   | .38 [10]   | 4.63 [118] |
| 25016032                | NA15A34N90  | 2    |                               | 3.00 [76]  | 3.00 [76]  | 1.75 [44]  | 1.75 [44] | 3.88 [99]  | 6.50 [165] |            | 3.06 [78]  | .63 [16]    | .38 [10]   | 4.63 [118] |            |            |
| 304351                  | NA16A2N90   | 1    | 1-1/4" SPS (1.660 [42] DIA.)  | 3.75 [95]  | 2.25 [57]  | 3.00 [76]  | 1.75 [44] | ---        | 4.19 [106] | 1/2"-13    | .56 [14]   | 6.53 [166]  | 3.41 [87]  | .62 [16]   | .44 [11]   | 4.66 [118] |
| 50032106                | NA16A4N90   | 2    |                               | 3.00 [76]  | 3.00 [76]  | 1.75 [44]  | 1.75 [44] | 4.19 [106] | 6.53 [166] |            | 3.41 [87]  | .62 [16]    | .44 [11]   | 4.66 [118] |            |            |
| 25004421                | NA17A2N90   | 1    | 1 1/2" SPS (1.900 [48] DIA.)  | 4.00 [102] | 2.50 [64]  | 3.00 [76]  | 1.75 [44] | ---        | 4.50 [114] | 1/2"-13    | .56 [14]   | 7.13 [181]  | 3.64 [92]  | .62 [16]   | .50 [13]   | 5.03 [128] |
| 304178                  | NA18A2N90   | 1    | 2" SPS (2.375 [60] DIA.)      | 4.25 [108] | 2.75 [70]  | 3.00 [76]  | 1.75 [44] | ---        | 5.00 [127] | 5/8"-11    | .56 [14]   | 7.50 [191]  | 4.50 [114] | .62 [16]   | .50 [13]   | 5.03 [128] |
| 304930                  | NA18A4N90   | 2    |                               | 4.25 [108] | 3.12 [79]  | 3.00 [76]  | 1.75 [44] | 1.75 [44]  | 5.00 [127] | 7.50 [191] | .56 [14]   | 7.50 [191]  | 4.50 [114] | .62 [16]   | .50 [13]   | 5.03 [128] |
| 26001696                | NA19A2N90   | 1    | 2 1/2" IPS (2.875 [73] DIA.)  | 4.50 [114] | 3.00 [76]  | 3.00 [76]  | 1.75 [44] | ---        | 5.25 [133] | 5/8"-11    | .56 [14]   | 8.46 [215]  | 5.00 [127] | .62 [16]   | .69 [18]   | 5.69 [145] |
| 30466R                  | NA19A4N90   | 2    |                               | 4.50 [114] | 3.00 [76]  | 3.00 [76]  | 1.75 [44] | 1.75 [44]  | 5.25 [133] | 8.46 [215] | .56 [14]   | 8.46 [215]  | 5.00 [127] | .62 [16]   | .69 [18]   | 5.69 [145] |
| 10055711                | NA20A34N90  | 2    | 3" SPS (3.500 [89] DIA.)      | 5.00 [127] | 3.00 [76]  | 3.00 [76]  | 1.75 [44] | 1.75 [44]  | 5.69 [145] | 5/8"-11    | .56 [14]   | 8.69 [221]  | 5.62 [143] | .62 [16]   | .69 [18]   | 5.62 [143] |
| 10059601                | NA20A44N90  | 2    |                               | 5.00 [127] | 4.00 [102] | 4.00 [102] | 1.75 [44] | 1.75 [44]  | 5.69 [145] | 5/8"-11    | .56 [14]   | 9.69 [246]  | 5.62 [143] | .62 [16]   | .69 [18]   | 6.62 [168] |
| 30014658                | NA20A2N90   | 1    |                               | 5.00 [127] | 4.38 [111] | 3.00 [76]  | 1.75 [44] | ---        | 5.69 [145] | 5/8"-11    | .56 [14]   | 8.69 [221]  | 5.62 [143] | .62 [16]   | .69 [18]   | 5.62 [143] |
| 304091                  | NA20A4N90   | 2    |                               | 5.00 [127] | 4.38 [111] | 3.00 [76]  | 1.75 [44] | 1.75 [44]  | 5.69 [145] | 5/8"-11    | .56 [14]   | 8.69 [221]  | 5.62 [143] | .62 [16]   | .69 [18]   | 5.62 [143] |
| 290357                  | NA21A4N90   | 2    | 3-1/2" SPS (4.000 [102] DIA.) | 5.50 [140] | 4.75 [121] | 3.00 [76]  | 1.75 [44] | 1.75 [44]  | 7.00 [178] | 5/8"-11    | .56 [14]   | 8.81 [224]  | 6.14 [156] | .62 [16]   | .88 [22]   | 5.64 [143] |
| 290046                  | NA22A4N90   | 2    | 4" SPS (4.500 [114] DIA.)     | 6.00 [152] | 5.25 [133] | 3.00 [76]  | 1.75 [44] | 1.75 [44]  | 6.81 [173] | 5/8"-11    | .56 [14]   | 9.00 [229]  | 6.62 [168] | .62 [16]   | .81 [21]   | 6.12 [155] |
| 26001706                | NA22A34N90  | 2    |                               | 6.00 [152] | 3.00 [76]  | 3.00 [76]  | 1.75 [44] | 1.75 [44]  | 6.81 [173] | 5/8"-11    | .56 [14]   | 9.00 [229]  | 6.62 [168] | .62 [16]   | .81 [21]   | 6.12 [155] |
| 30019179                | NA22A66N90  | 3    | 5" SPS (5.563 [141] DIA.)     | 6.00 [152] | 6.00 [152] | 4.25 [108] | 1.75 [44] | 1.75 [44]  | 7.12 [181] | 5/8"-11    | .56 [14]   | 7.12 [181]  | 6.62 [168] | 1.12 [28]  | .93 [24]   | 6.63 [168] |
| 30014657                | NA24A4N90   | 2    |                               | 7.00 [178] | 6.50 [165] | 3.00 [76]  | 1.75 [44] | 1.75 [44]  | 8.56 [217] | 5/8"-11    | .56 [14]   | 10.63 [270] | 7.63 [194] | .62 [16]   | .81 [21]   | 7.19 [183] |

| REV | DATE                   | DESCRIPTION  | ECO   | BY | C.H.K. |
|-----|------------------------|--|-------|----|--------|
| D   | 10/04/2013 00:00:00 AM | ADDED CAT# NA19A2N90, NA19A4N90, NA20A34N90 & NA20A44N90 | 37142 | BR | NJS    |

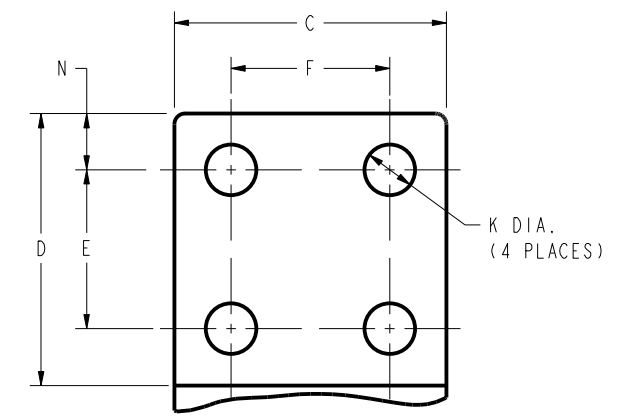


FIGURE 2

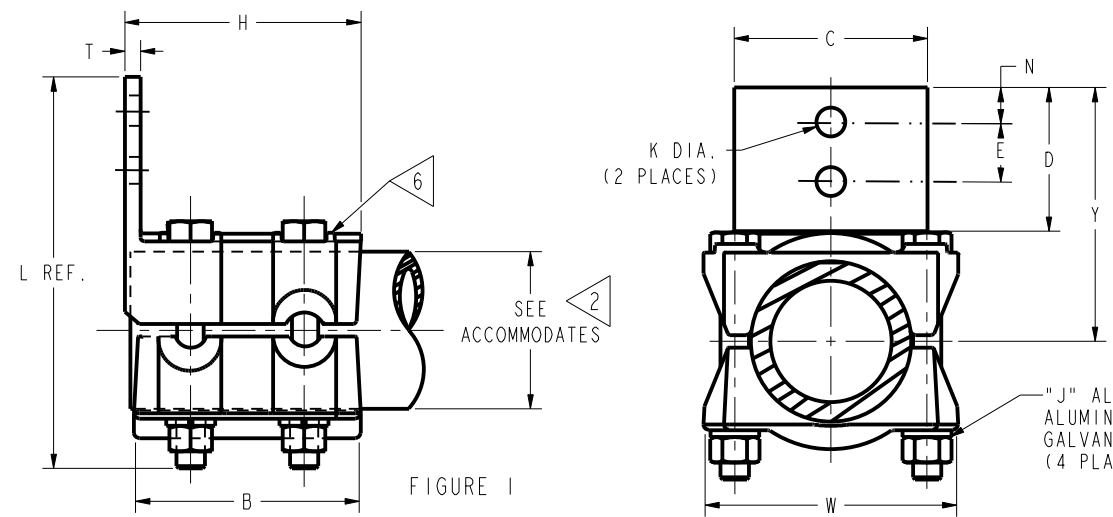


FIGURE 1

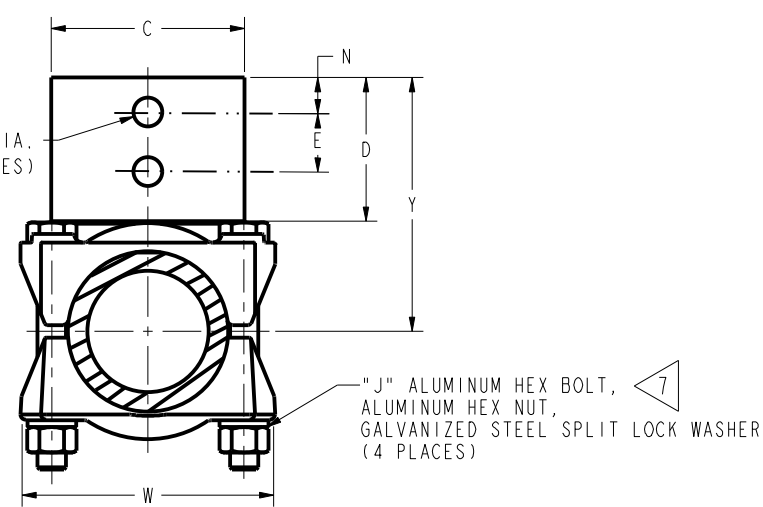


FIGURE 3

- NOTES:
- MATERIAL:  
BODY & CAP: CAST ALUMINUM ALLOY
  - ACCOMMODATES:  
SEE TABLE
  - NOMINAL BOLT INSTALLATION TORQUE:  
5/8" HEX. ALUMINUM HARDWARE 480 IN-LBS [55 Nm].  
1/2" HEX. ALUMINUM HARDWARE 300 IN-LBS [35 Nm].
  - DIMENSIONS IN BRACKETS [ ] DENOTES METRIC UNITS [SI UNITS] AND ARE ROUNDED TO THE NEAREST WHOLE NUMBER, UNLESS OTHERWISE SPECIFIED THESE UNITS SHALL BE USED FOR REFERENCE ONLY.
  - SCRATCH BRUSH CONNECTOR CONTACT SURFACE DRY, THEN APPLY PENETROX™ A. PENETROX™ CAN BE PURCHASED FROM BURNDY LLC, IN CANS OR PLASTIC SQUEEZE BOTTLES.

- HEX BOLTS CAPTURED TO PREVENT TURNING DURING INSTALLATION.
- SIX BOLTS USED FOR THIS CATALOG NUMBER.
- MARKING:  
BURNDY  
--- (CATALOG NUMBER)  
--- (ACCOMMODATES)  
  
EG:  
BURNDY  
NA16A2N90  
1-1/4" SPS AL

|   |  |                                 |                               |
|---|--|---------------------------------|-------------------------------|
| TO ORDER BURNDY® PRODUCTS CALL  |  | BOLTED TERMINAL                 |                               |
| UNITED STATES<br>1-800-346-4175 (LONDONDERRY, NH)                           |  | ITEM NO: SEE TABLE              | CAT. NO: SEE TABLE            |
| CANADA:<br>1-800-361-6975 (QUEBEC)<br>1-800-387-6487 (ALL OTHER PROVINCES)  |  | DRAWN BY: BHARATHIRAJA 10/04/14 | CHECKER: --                   |
| FOR PRODUCT INFO: <a href="http://www.burndy.com">http://www.burndy.com</a> |  | DSN APPVL: R LAVOIE 10/14/14    | MFG APPVL: --                 |
|   |  | QA APPVL: C KOWALCZYK 10/24/14  | MKT APPVL: B MICHAUD 10/14/14 |
|   |  | PROD FAM: SUBSTATION            | SCALE: 1:1                    |
|   |  | PROJECT #: --                   | SIZE: D                       |
|   |  | DOCUMENT TYPE: Sales            | DRAWING NO: 50004695          |
|   |  | REL LEVEL: Released             | SHEET 1 OF 1                  |
|   |  |                                 | REV: D                        |

REV: PE0200