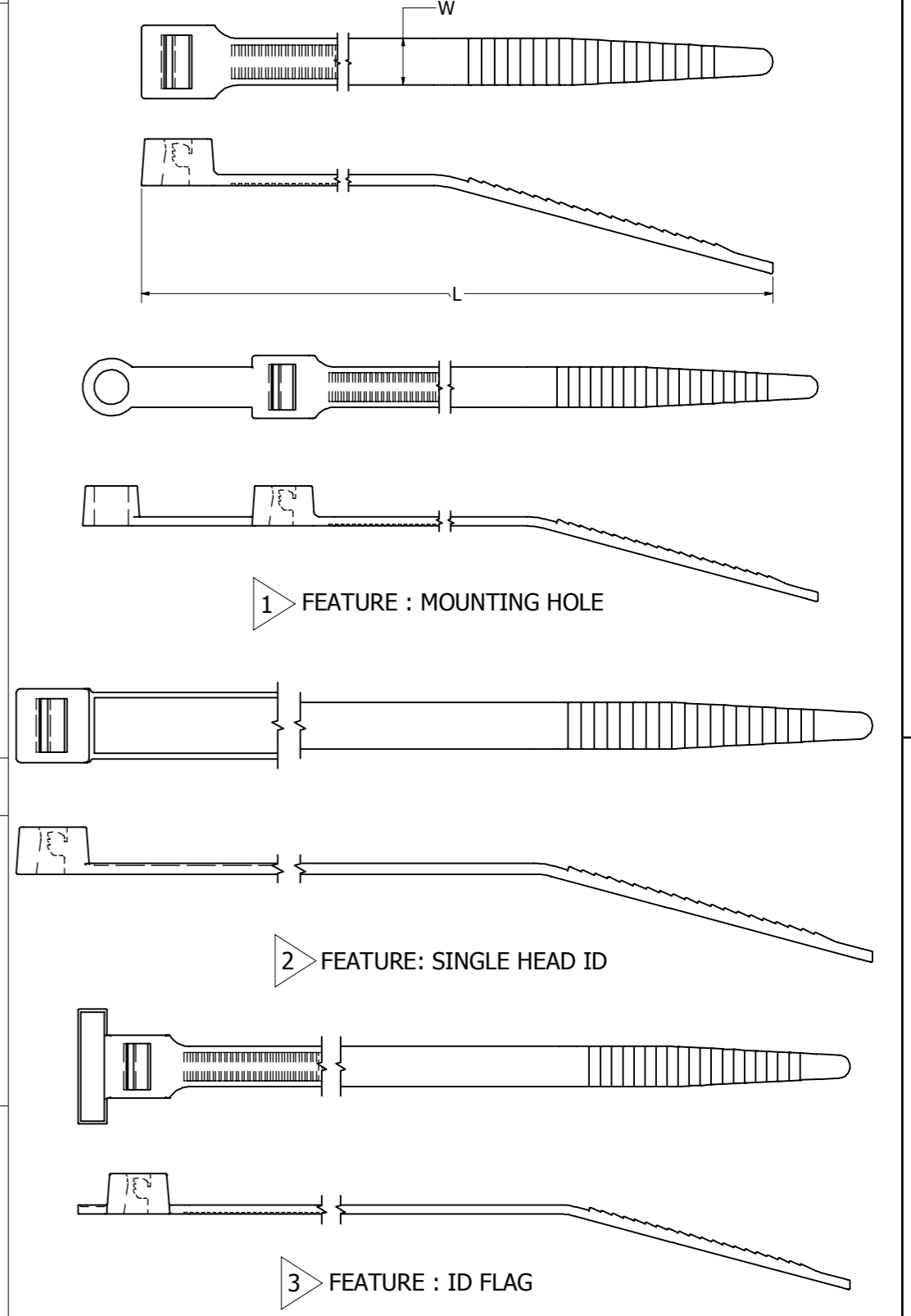


CATALOG NUMBER	MATERIAL	MIN. TENSILE STRENGTH (LBS)	BUNDLE DIA.	FEATURE	PACKAGE	COLOR	W	L
CT18075C	NYLON 6/6 STANDARD	18 LBS	.75 [19]	--	100	NATURAL		
CT18075C0	NYLON 6/6 STANDARD	18 LBS	.75 [19]	--	100	UV BLACK <sup>1</sup>		
CT18075C00	NYLON 6/6 STANDARD	18 LBS	.75 [19]	--	100	UV BLACK <sup>2</sup>		
CT18075C1	NYLON 6/6 STANDARD	18 LBS	.75 [19]	--	100	BROWN		
CT18075C10	NYLON 6/6 STANDARD	18 LBS	.75 [19]	--	100	WHITE		
CT18075C11	NYLON 6/6 STANDARD	18 LBS	.75 [19]	--	100	TELCO GRAY		
CT18075C2	NYLON 6/6 STANDARD	18 LBS	.75 [19]	--	100	RED		4.00 [102]
CT18075C3	NYLON 6/6 STANDARD	18 LBS	.75 [19]	--	100	ORANGE		
CT18075C4	NYLON 6/6 STANDARD	18 LBS	.75 [19]	--	100	YELLOW		
CT18075C5	NYLON 6/6 STANDARD	18 LBS	.75 [19]	--	100	GREEN		
CT18075C6	NYLON 6/6 STANDARD	18 LBS	.75 [19]	--	100	BLUE		
CT18075C7	NYLON 6/6 STANDARD	18 LBS	.75 [19]	--	100	PURPLE	.10 [3]	
CT18075C8	NYLON 6/6 STANDARD	18 LBS	.75 [19]	--	100	GRAY		
CT18075FLC	NYLON 6/6 STANDARD	18 LBS	.75 [19]	3 ID FLAG	100	NATURAL		4.25 [108]
CT18075IDC	NYLON 6/6 STANDARD	18 LBS	.75 [19]	2 SINGLE HEAD ID	100	NATURAL		
CT18075IDM	NYLON 6/6 STANDARD	18 LBS	.75 [19]	2 SINGLE HEAD ID	1000	NATURAL		
CT18075M	NYLON 6/6 STANDARD	18 LBS	.75 [19]	--	1000	NATURAL		4.00 [102]
CT18075M0	NYLON 6/6 STANDARD	18 LBS	.75 [19]	--	1000	UV BLACK <sup>1</sup>		
CT18075M00	NYLON 6/6 STANDARD	18 LBS	.75 [19]	--	1000	UV BLACK <sup>2</sup>		
CT18075MH4C	NYLON 6/6 STANDARD	18 LBS	.75 [19]	1 MOUNTING HOLE #4	100	NATURAL		
CT18075MH4C0	NYLON 6/6 STANDARD	18 LBS	.75 [19]	1 MOUNTING HOLE #4	100	UV BLACK <sup>1</sup>		4.25 [108]
CT18075MH4M	NYLON 6/6 STANDARD	18 LBS	.75 [19]	1 MOUNTING HOLE #4	1000	NATURAL		
CT18075MH4M0	NYLON 6/6 STANDARD	18 LBS	.75 [19]	1 MOUNTING HOLE #4	1000	UV BLACK <sup>1</sup>		

REV	DATE	DESCRIPTION	ECO	BY	C'H'K.
A	06/30/2012	CREATE SALES DRAWING	27680	BD	MB



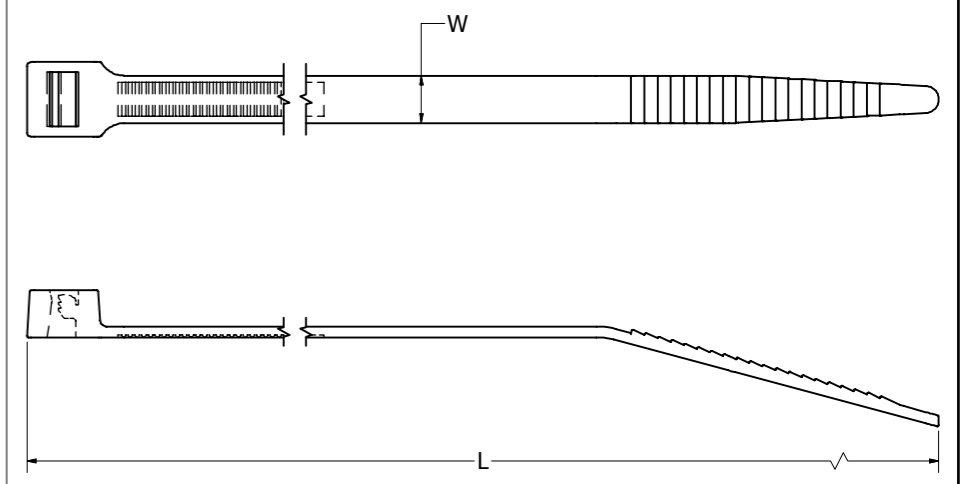
**NOTES:**

- DIMENSIONS IN BRACKETS [ ] ARE IN MILLIMETERS ROUNDED OFF TO THE NEAREST MILLIMETER, UNLESS OTHERWISE SPECIFIED AND ARE FOR REFERENCE ONLY.
- COLOR UV BLACK<sup>1</sup> MATERIAL IS NYLON 6/6 UV STABILIZED; UV BLACK<sup>2</sup> MATERIAL IS 2% CARBON UV STABILIZED (MIL. SPEC.)

TO ORDER BURNDY® PRODUCTS CALL		UNIRAP™	
UNITED STATES 1-800-346-4175 (LONDONDERRY, NH)		ITEM NO: N/A	
CANADA: 1-800-361-6975 (QUEBEC) 1-800-387-6487 (ALL OTHER PROVINCES)		CAT. NO: SEE TABLE	
FOR PRODUCT INFO: <a href="http://www.burndy.com">http://www.burndy.com</a>		DRAWN BY: B.DURAICHAMY 6/26/2012 CHECKER: A.MONTMINY 10/17/2012 DSN APRVL: A.MONTMINY 10/17/2012 MFG APRVL: -- QA APRVL: C.KOWALCZYK 10/11/2012 MKT APRVL: R.CAVANAUGH 10/10/2012	
PROJECT #: --	SIZE: D	DRAWING NO: 50004698	
DOCUMENT TYPE: SALES	REL LEVEL: Released	SHEET 1 OF 3	

CATALOG NUMBER	MATERIAL	MIN. TENSILE STRENGTH (LBS)	BUNDLE DIA.	FEATURE	PACKAGE	COLOR	W	L
CT18125C	NYLON 6/6 STANDARD	18 LBS	1.25 [32]	--	100	NATURAL	.10 [3]	5.67 [144]
CT18125C0	NYLON 6/6 STANDARD	18 LBS	1.25 [32]	--	100	UV BLACK <sup>1</sup>		
CT18125C00	NYLON 6/6 STANDARD	18 LBS	1.25 [32]	--	100	UV BLACK <sup>2</sup>		
CT18125C1	NYLON 6/6 STANDARD	18 LBS	1.25 [32]	--	100	BROWN		
CT18125C10	NYLON 6/6 STANDARD	18 LBS	1.25 [32]	--	100	WHITE		
CT18125C11	NYLON 6/6 STANDARD	18 LBS	1.25 [32]	--	100	TELCO GRAY		
CT18125C2	NYLON 6/6 STANDARD	18 LBS	1.25 [32]	--	100	RED		
CT18125C3	NYLON 6/6 STANDARD	18 LBS	1.25 [32]	--	100	ORANGE		
CT18125C4	NYLON 6/6 STANDARD	18 LBS	1.25 [32]	--	100	YELLOW		
CT18125C5	NYLON 6/6 STANDARD	18 LBS	1.25 [32]	--	100	GREEN		
CT18125C6	NYLON 6/6 STANDARD	18 LBS	1.25 [32]	--	100	BLUE		
CT18125C7	NYLON 6/6 STANDARD	18 LBS	1.25 [32]	--	100	PURPLE		
CT18125C8	NYLON 6/6 STANDARD	18 LBS	1.25 [32]	--	100	GRAY		
CT18125M	NYLON 6/6 STANDARD	18 LBS	1.25 [32]	--	1000	NATURAL		
CT18125M0	NYLON 6/6 STANDARD	18 LBS	1.25 [32]	--	1000	UV BLACK <sup>1</sup>		
CT18125M00	NYLON 6/6 STANDARD	18 LBS	1.25 [32]	--	1000	UV BLACK <sup>2</sup>		

REV	DATE	DESCRIPTION	ECO	BY	C'H'K.
A	06/30/2012	CREATE SALES DRAWING	27680	BD	MB



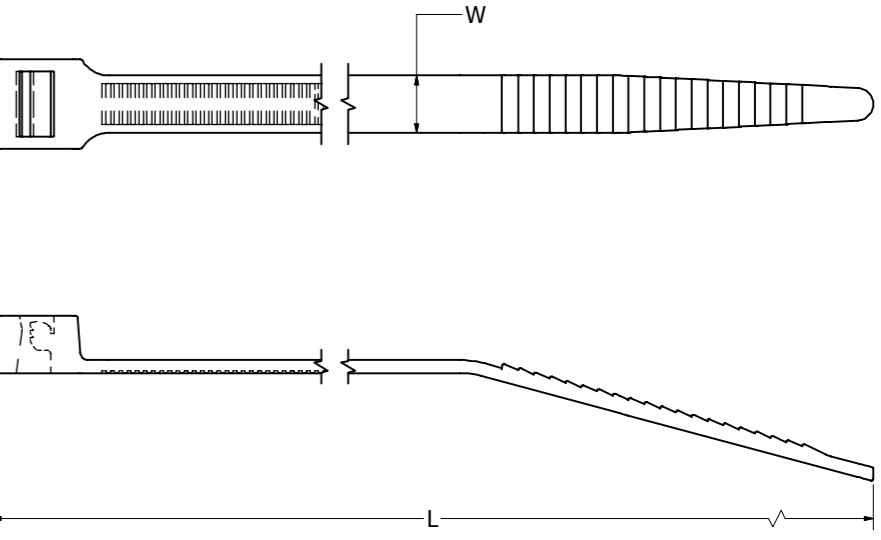
**NOTES:**

- DIMENSIONS IN BRACKETS [ ] ARE IN MILLIMETERS ROUNDED OFF TO THE NEAREST MILLIMETER, UNLESS OTHERWISE SPECIFIED AND ARE FOR REFERENCE ONLY.
- COLOR UV BLACK<sup>1</sup> MATERIAL IS NYLON 6/6 UV STABILIZED; UV BLACK<sup>2</sup> MATERIAL IS 2% CARBON UV STABILIZED (MIL. SPEC.)

TO ORDER BURNDY® PRODUCTS CALL		UNIRAP™															
UNITED STATES 1-800-346-4175 (LONDONDERRY, NH)		ITEM NO: N/A															
CANADA: 1-800-361-6975 (QUEBEC) 1-800-387-6487 (ALL OTHER PROVINCES)		CAT. NO: SEE TABLE															
FOR PRODUCT INFO: <a href="http://www.burndy.com">http://www.burndy.com</a>		<table border="1"> <tr> <td>DRAWN BY: B.DURAICHAMY</td> <td>6/26/2012</td> <td rowspan="5"></td> </tr> <tr> <td>CHECKER: A.MONTMINY</td> <td>10/17/2012</td> </tr> <tr> <td>DSN APRVL: A.MONTMINY</td> <td>10/17/2012</td> </tr> <tr> <td>MFG APRVL: --</td> <td></td> </tr> <tr> <td>QA APRVL: C.KOWALCZYK</td> <td>10/11/2012</td> </tr> <tr> <td>MKT APRVL: R.CAVANAUGH</td> <td>10/10/2012</td> <td></td> </tr> </table>		DRAWN BY: B.DURAICHAMY	6/26/2012		CHECKER: A.MONTMINY	10/17/2012	DSN APRVL: A.MONTMINY	10/17/2012	MFG APRVL: --		QA APRVL: C.KOWALCZYK	10/11/2012	MKT APRVL: R.CAVANAUGH	10/10/2012	
DRAWN BY: B.DURAICHAMY	6/26/2012																
CHECKER: A.MONTMINY	10/17/2012																
DSN APRVL: A.MONTMINY	10/17/2012																
MFG APRVL: --																	
QA APRVL: C.KOWALCZYK	10/11/2012																
MKT APRVL: R.CAVANAUGH	10/10/2012																
PROJECT #: --	SIZE: D	DRAWING NO: 50004698	REV: A														
DOCUMENT TYPE: SALES		SHEET 2 OF 3															
REL LEVEL: Released																	

CATALOG NUMBER	MATERIAL	MIN. TENSILE STRENGTH (LBS)	BUNDLE DIA.	FEATURE	PACKAGE	COLOR	W	L
CT18200C	NYLON 6/6 STANDARD	18 LBS	2.00 [51]	--	100	NATURAL	.10 [3]	8.00 [203]
CT18200C0	NYLON 6/6 STANDARD	18 LBS	2.00 [51]	--	100	UV BLACK <sup>1</sup>		
CT18200C00	NYLON 6/6 STANDARD	18 LBS	2.00 [51]	--	100	UV BLACK <sup>2</sup>		
CT18200C1	NYLON 6/6 STANDARD	18 LBS	2.00 [51]	--	100	BROWN		
CT18200C10	NYLON 6/6 STANDARD	18 LBS	2.00 [51]	--	100	WHITE		
CT18200C11	NYLON 6/6 STANDARD	18 LBS	2.00 [51]	--	100	TELCO GRAY		
CT18200C2	NYLON 6/6 STANDARD	18 LBS	2.00 [51]	--	100	RED		
CT18200C3	NYLON 6/6 STANDARD	18 LBS	2.00 [51]	--	100	ORANGE		
CT18200C4	NYLON 6/6 STANDARD	18 LBS	2.00 [51]	--	100	YELLOW		
CT18200C5	NYLON 6/6 STANDARD	18 LBS	2.00 [51]	--	100	GREEN		
CT18200C6	NYLON 6/6 STANDARD	18 LBS	2.00 [51]	--	100	BLUE		
CT18200C7	NYLON 6/6 STANDARD	18 LBS	2.00 [51]	--	100	PURPLE		
CT18200C8	NYLON 6/6 STANDARD	18 LBS	2.00 [51]	--	100	GRAY		
CT18200M	NYLON 6/6 STANDARD	18 LBS	2.00 [51]	--	1000	NATURAL		
CT18200M0	NYLON 6/6 STANDARD	18 LBS	2.00 [51]	--	1000	UV BLACK <sup>1</sup>		
CT18200M00	NYLON 6/6 STANDARD	18 LBS	2.00 [51]	--	1000	UV BLACK <sup>2</sup>		

REV	DATE	DESCRIPTION	ECO	BY	C'HK.
A	06/30/2012	CREATE SALES DRAWING	27680	BD	MB



**NOTES:**

- DIMENSIONS IN BRACKETS [ ] ARE IN MILLIMETERS ROUNDED OFF TO THE NEAREST MILLIMETER, UNLESS OTHERWISE SPECIFIED AND ARE FOR REFERENCE ONLY.
- COLOR UV BLACK<sup>1</sup> MATERIAL IS NYLON 6/6 UV STABILIZED; UV BLACK<sup>2</sup> MATERIAL IS 2% CARBON UV STABILIZED (MIL. SPEC.)

TO ORDER BURNDY® PRODUCTS CALL		UNIRAP™															
UNITED STATES 1-800-346-4175 (LONDONDERRY, NH)		ITEM NO: N/A															
CANADA: 1-800-361-6975 (QUEBEC) 1-800-387-6487 (ALL OTHER PROVINCES)		CAT. NO: SEE TABLE															
FOR PRODUCT INFO: <a href="http://www.burndy.com">http://www.burndy.com</a>		<table border="1"> <tr> <td>DRAWN BY: B.DURAICHAMY</td> <td>6/26/2012</td> <td rowspan="5"></td> </tr> <tr> <td>CHECKER: A.MONTMINY</td> <td>10/17/2012</td> </tr> <tr> <td>DSN APRVL: A.MONTMINY</td> <td>10/17/2012</td> </tr> <tr> <td>MFG APRVL: --</td> <td>--</td> </tr> <tr> <td>QA APRVL: C.KOWALCZYK</td> <td>10/11/2012</td> </tr> <tr> <td>MKT APRVL: R.CAVANAUGH</td> <td>10/10/2012</td> <td></td> </tr> </table>		DRAWN BY: B.DURAICHAMY	6/26/2012		CHECKER: A.MONTMINY	10/17/2012	DSN APRVL: A.MONTMINY	10/17/2012	MFG APRVL: --	--	QA APRVL: C.KOWALCZYK	10/11/2012	MKT APRVL: R.CAVANAUGH	10/10/2012	
DRAWN BY: B.DURAICHAMY	6/26/2012																
CHECKER: A.MONTMINY	10/17/2012																
DSN APRVL: A.MONTMINY	10/17/2012																
MFG APRVL: --	--																
QA APRVL: C.KOWALCZYK	10/11/2012																
MKT APRVL: R.CAVANAUGH	10/10/2012																
		DRAWING NO	REV														
		50004698	A														
		SHEET 3 OF 3															