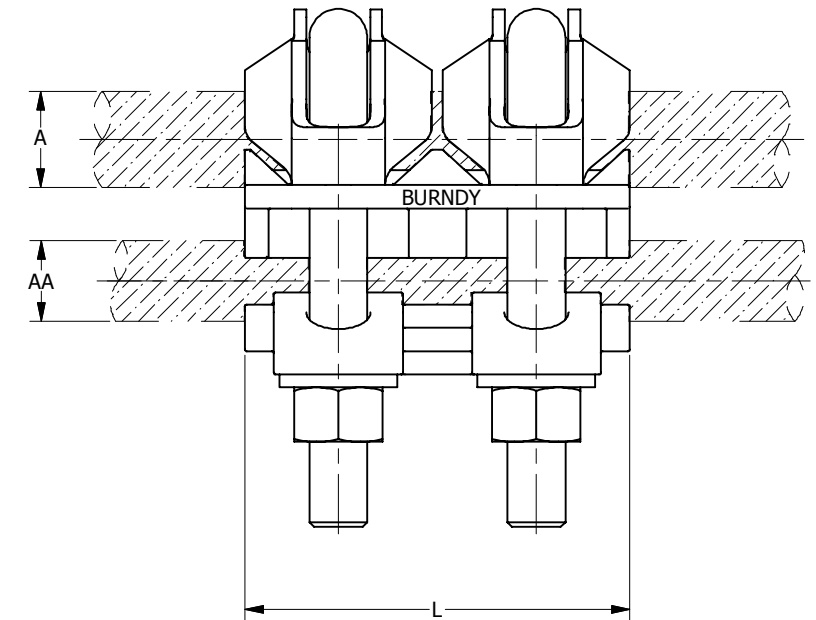
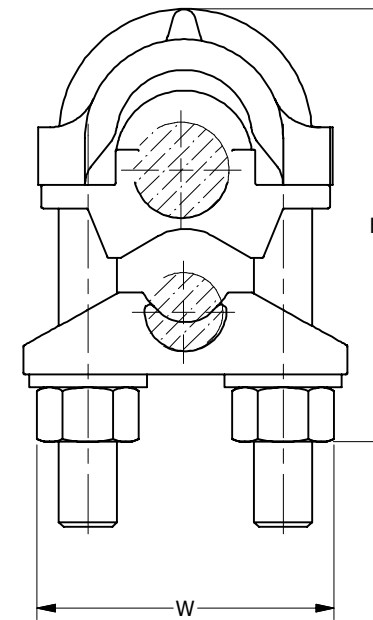


ITEM NUMBER	CATALOG NUMBER	CABLE RANGES \triangleleft				APPROX. SHIP. WT. IN LBS.	DIMENSIONS IN INCHES			THREAD SIZE	WRENCH SIZE (CROSSFLATS)	TORQUE IN-LB
		A		AA			H	L	W			
		MAX.	MIN.	MAX.	MIN.							
136200	VP2828	4/0 STR.	1/0 STR.	4/0 STR.	1/0 STR.	1.4	2.13 [54]	2.75 [70]	1.75 [44]	3/8-16	9/16	250
136250	VP3030	300 Kcmil	1/0 STR.	300 Kcmil	1/0 STR.	2.0	2.50 [64]	3.00 [76]	2.00 [51]	7/16-14	11/16	325
136300	VP3430	500 Kcmil	300 Kcmil	300 Kcmil	1/0 STR.	2.2	3.19 [81]	3.25 [83]	2.50 [64]	1/2-13	3/4	375
136350	VP3434	500 Kcmil	300 Kcmil	500 Kcmil	300 Kcmil	2.5	3.19 [81]	3.25 [83]	2.50 [64]	1/2-13	3/4	375
136400	VP4030	800 Kcmil	500 Kcmil	300 Kcmil	1/0 STR.	2.6	4.44 [113]	3.50 [89]	2.88 [73]	9/16-12	7/8	500
10004699	VP4034	800 Kcmil	500 Kcmil	500 Kcmil	300 Kcmil	3.0	4.44 [113]	3.75 [95]	2.88 [73]	9/16-12	7/8	500
136450	VP4040	800 Kcmil	500 Kcmil	800 Kcmil	500 Kcmil	3.2	4.44 [113]	3.75 [95]	2.88 [73]	9/16-12	7/8	500
10017435	VP4430	1000 Kcmil	750 Kcmil	300 Kcmil	1/0 STR.	3.2	5.00 [127]	3.75 [95]	3.19 [81]	5/8-11	15/16	500
136009	VP4434	1000 Kcmil	750 Kcmil	500 Kcmil	300 Kcmil	3.5	5.00 [127]	3.75 [95]	3.19 [81]	5/8-11	15/16	500
136475	VP4440	1000 Kcmil	750 Kcmil	800 Kcmil	500 Kcmil	3.8	5.00 [127]	4.00 [102]	3.19 [81]	5/8-11	15/16	500
136015	VP4444	1000 Kcmil	750 Kcmil	1000 Kcmil	750 Kcmil	4.2	5.00 [127]	4.00 [102]	3.19 [81]	5/8-11	15/16	500
136005	VP4630	1500 Kcmil	1000 Kcmil	300 Kcmil	1/0 STR.	3.2	5.56 [141]	4.13 [105]	3.50 [89]	5/8-11	15/16	600
26002106	VP4634	1500 Kcmil	1000 Kcmil	500 Kcmil	300 Kcmil	3.7	5.56 [141]	4.13 [105]	3.50 [89]	5/8-11	15/16	600
136014	VP4640	1500 Kcmil	1000 Kcmil	800 Kcmil	500 Kcmil	4.0	5.56 [141]	4.13 [105]	3.50 [89]	5/8-11	15/16	600
136043	VP4644	1500 Kcmil	1000 Kcmil	1000 Kcmil	750 Kcmil	4.4	5.56 [141]	4.50 [114]	3.50 [89]	5/8-11	15/16	600
136020	VP4646	1500 Kcmil	1000 Kcmil	1500 Kcmil	1000 Kcmil	4.6	5.56 [141]	4.50 [114]	3.50 [89]	5/8-11	15/16	600
25005756	VP4830	2000 Kcmil	1500 Kcmil	300 Kcmil	1/0 STR.	3.5	6.38 [162]	4.63 [118]	4.06 [103]	3/4-10	1-1/8	600
50005132	VP4834	2000 Kcmil	1500 Kcmil	500 Kcmil	300 Kcmil	3.9	6.38 [162]	4.63 [118]	4.06 [103]	3/4-10	1-1/8	600
50005133	VP4840	2000 Kcmil	1500 Kcmil	800 Kcmil	500 Kcmil	4.2	6.38 [162]	4.75 [121]	4.06 [103]	3/4-10	1-1/8	600
136016	VP4844	2000 Kcmil	1500 Kcmil	1000 Kcmil	750 Kcmil	4.6	6.38 [162]	4.75 [121]	4.06 [103]	3/4-10	1-1/8	600
50005134	VP4846	2000 Kcmil	1500 Kcmil	1500 Kcmil	1000 Kcmil	4.9	6.38 [162]	5.00 [127]	4.06 [103]	3/4-10	1-1/8	600
136019	VP4848	2000 Kcmil	1500 Kcmil	2000 Kcmil	1500 Kcmil	5.1	6.38 [162]	5.00 [127]	4.06 [103]	3/4-10	1-1/8	600

REV	DATE	DESCRIPTION	ECO	BY	CH'K.
C	02/13/2014	UPDATED AS PER MARKUP	34462	SAV	MB



NOTES:

1. MATERIAL:
BODY & CAP: CAST COPPER ALLOY

\triangleleft ACCOMMODATES: SEE TABLE

3. DIMENSIONS IN BRACKETS [] ARE IN MILLIMETERS ROUNDED OFF TO THE NEAREST MILLIMETER, UNLESS OTHERWISE SPECIFIED AND ARE FOR REFERENCE ONLY.

TO ORDER BURNDY® PRODUCTS CALL		PARALLEL CLAMP	
UNITED STATES 1-800-346-4175 (LONDONDERRY, NH)		ITEM NO: SEE TABLE	
CANADA: 1-800-361-6975 (QUEBEC) 1-800-387-6487 (ALL OTHER PROVINCES)		CAT. NO: SEE TABLE	
FOR PRODUCT INFO: http://www.burndy.com		DRAWN BY: D.DHEENA 7/2/2012 CHECKER: W.ZAHLMAN 2/4/2014 DSN APRVL: W.ZAHLMAN 2/4/2014 MFG APRVL: -- QA APRVL: C.KOWALCZYK 2/4/2014 MKT APRVL: J.HALL 7/28/2012	
PROD FAM: --	PROJECT #: --	SIZE: D	
DOCUMENT TYPE: SALES	REL LEVEL: Released		REV: C
			SHEET 1 OF 1