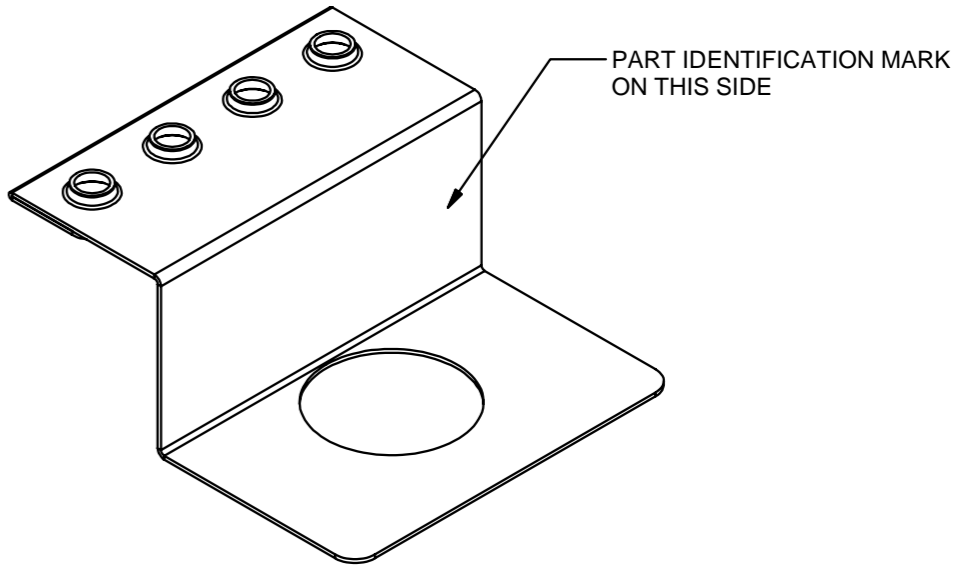
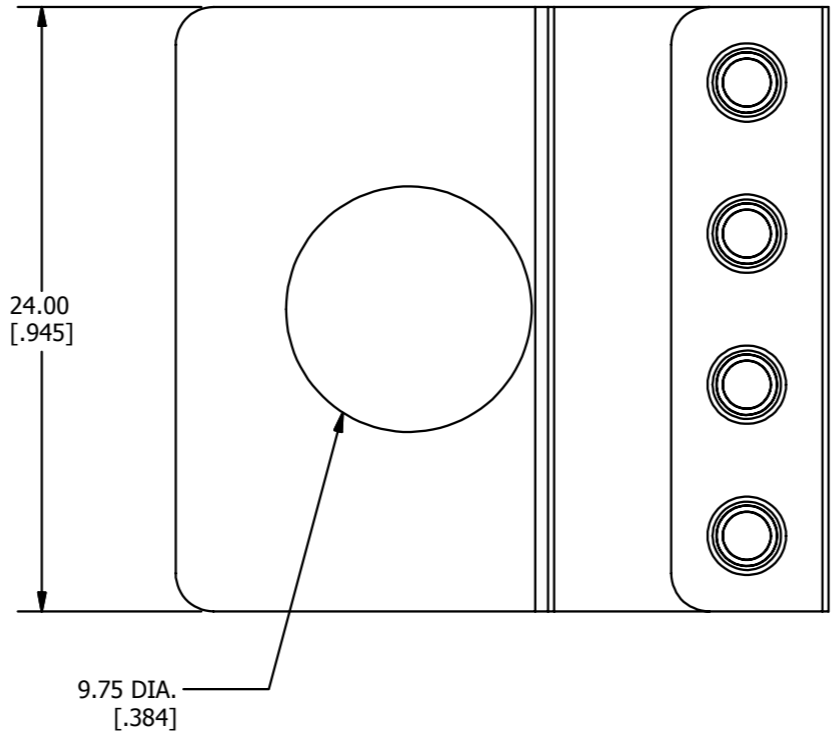
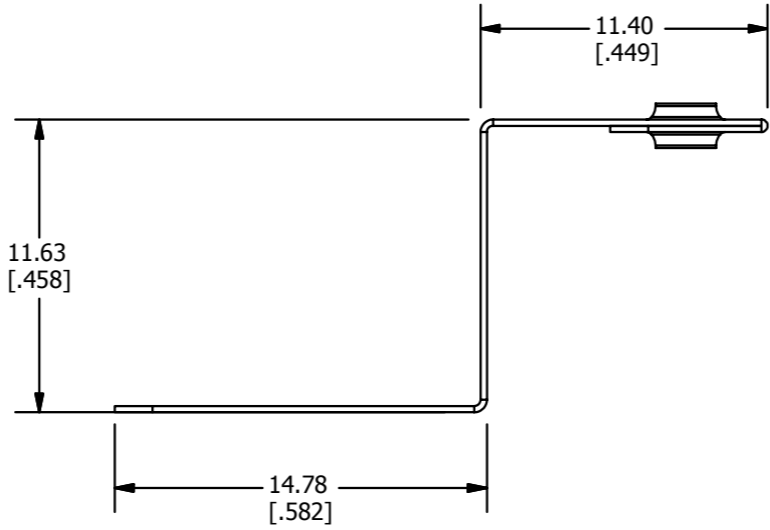


REV	DATE	DESCRIPTION	ECO	BY	C'H'K.
B	12/18/2012	UPDATE LOGO DETAILS FOR CAT.# WEEB-WMR-2T	29862	TM	PK



3D VIEW

NOTES:

1. MATERIAL: 304 STAINLESS
2. DIMENSIONS IN BRACKETS [ ] ARE IN INCHES ROUNDED OFF TO THE NEAREST TENTH, UNLESS OTHERWISE SPECIFIED AND ARE FOR REFERENCE ONLY.

TO ORDER BURNDY PRODUCTS CALL		EQUIPMENT BOND	
UNITED STATES		ITEM NO: 50004908	
1-800-346-4175 (LONDONDERRY, NH)		CAT. NO: WEEB-WMR-2T	
CANADA:		DRAWN BY: M THAMARAI 1/7/2013	
1-800-361-6975 (QUEBEC)		CHECKER: T OLENICK 3/11/2013	
1-800-387-6487 (ALL OTHER PROVINCES)		DSN APRVL: T OLENICK 3/11/2013	
FOR PRODUCT INFO: <a href="http://www.burndy.com">http://www.burndy.com</a>		MFG APRVL: --	
		QA APRVL: C KOWALCZYK 3/28/2013	
		MKT APRVL: S PARSONS 3/9/2013	
		PROD FAM:	
		DRAWING NO	
		50008796	
		REV	
		B	
		SHEET 1 OF 1	