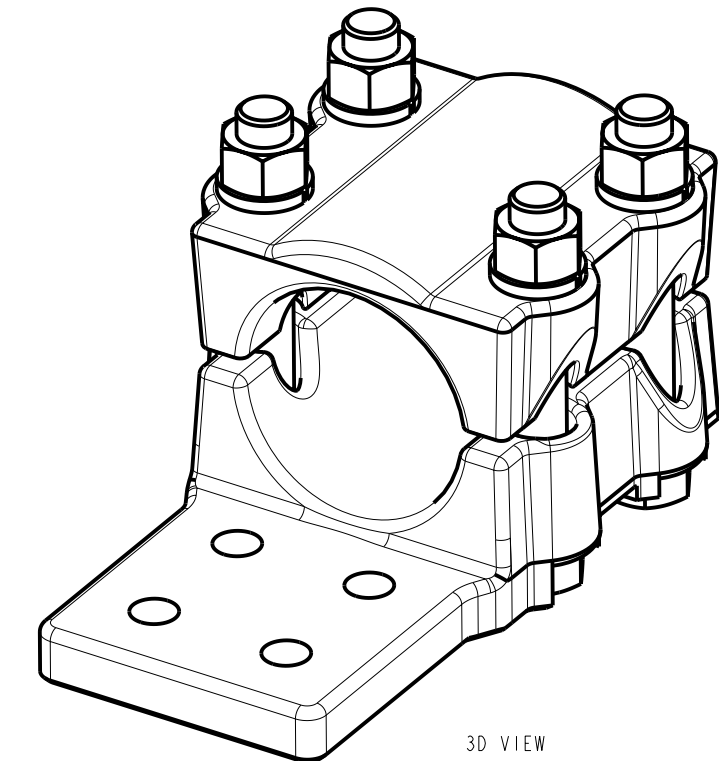
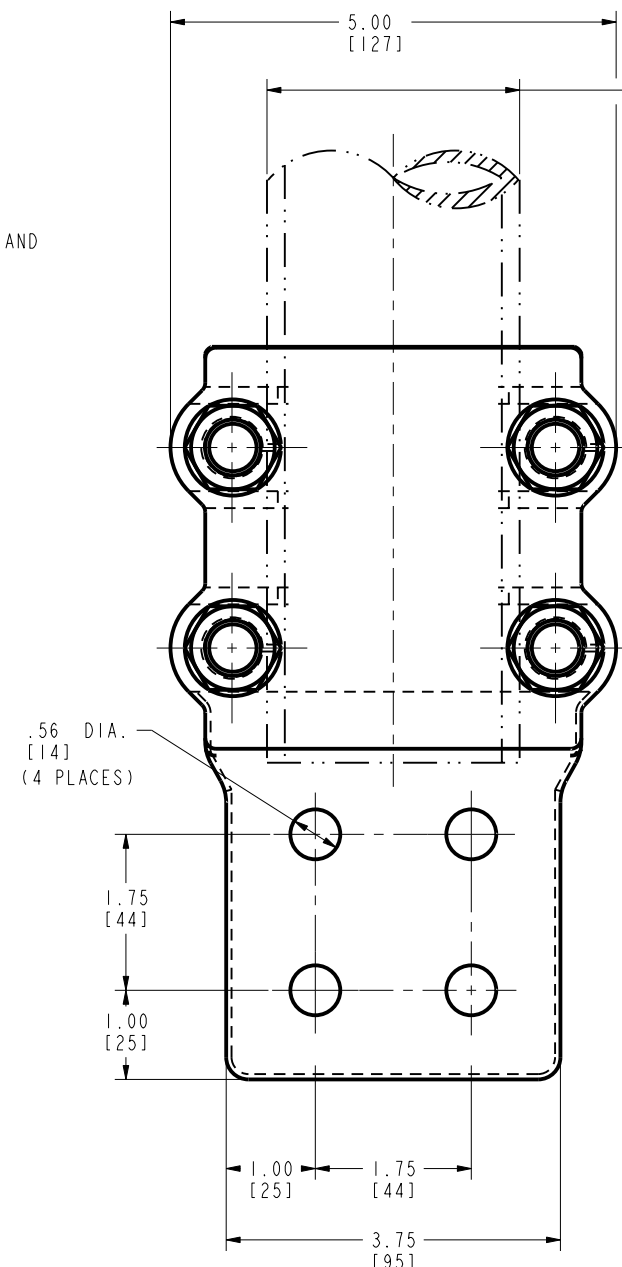
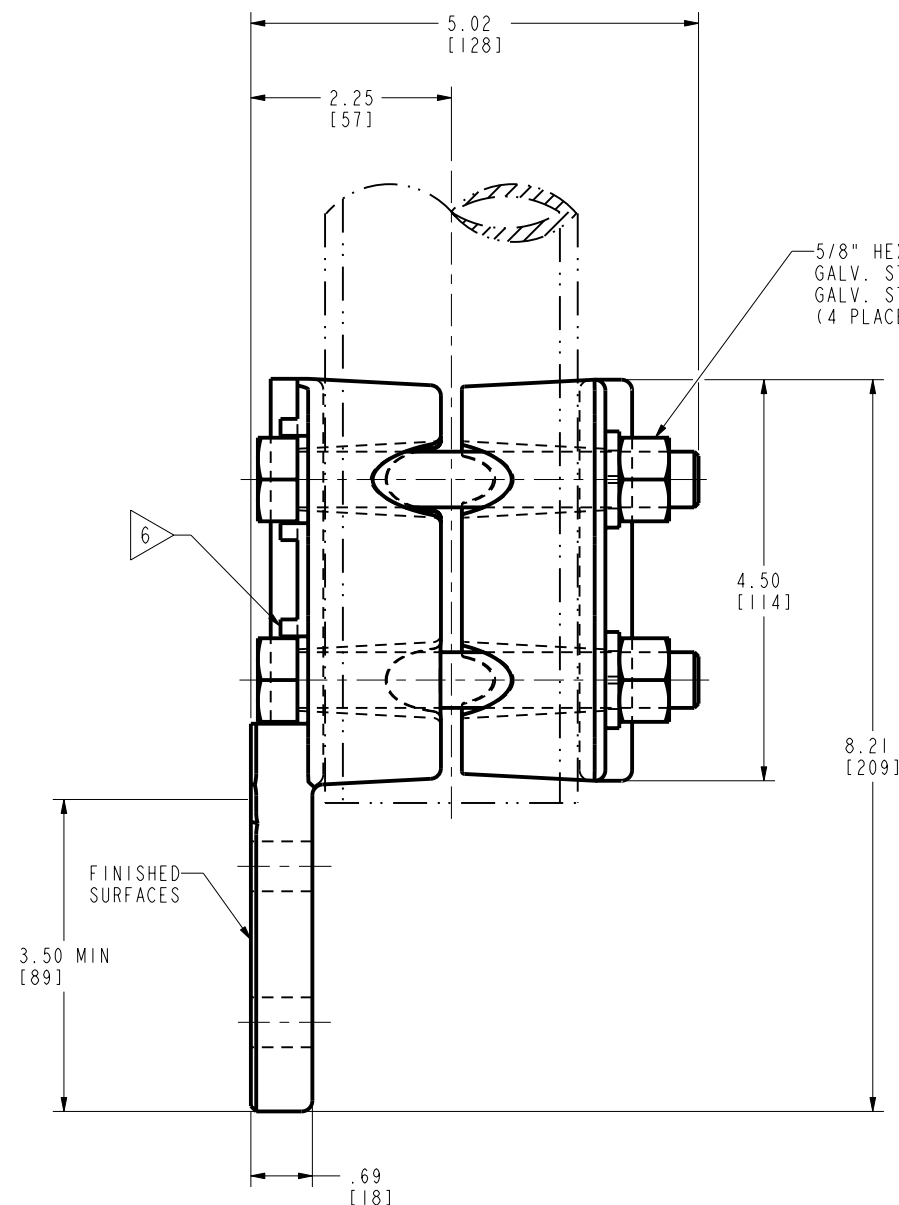


DRAWING NO.  
50004937

REV	DATE	DESCRIPTION	ECO	BY	C'H'K.
A	10/09/2012 00:00:00 AM	CREATED SALES DRAWING FOR CAT. X NA19A4NCG4	29042	MM	SP

HYDRO ONE MATERIAL  
STOCK CODE# 72222850  
MM# 30007320



- NOTES:
- MATERIAL:  
CAST ALUMINUM ALLOY.
  - DIMENSIONS IN BRACKET [ ] DENOTES METRIC UNITS [SI UNITS] AND ARE ROUNDED TO THE NEAREST WHOLE NUMBER UNLESS OTHERWISE SPECIFIED THESE UNITS SHALL BE USED FOR REFERENCE ONLY.
  - ACCOMMODATES:  
2 1/2" IPS 2.875 [73] ALUMINUM TUBE.
  - PENETROX™ NOTE: SCRATCH BRUSH CONNECTOR CONTACT SURFACE DRY, THEN APPLY PENETROX™ A. PENETROX™ CAN BE PURCHASED FROM BURNDY LLC IN CANS OR PLASTIC SQUEEZE BOTTLES.
  - NOMINAL BOLT INSTALLATION TORQUE:  
5/8" HEX. GALVANIZED STEEL HARDWARE - 660 LB-IN [75 Nm].
  - HEX BOLTS CAPTURED TO PREVENT TURNING DURING INSTALLATION.
  - MARKING:  
BURNDY  
NA19A4NCG4  
2 1/2" IPS ALUM

TO ORDER BURNDY® PRODUCTS CALL		TERMINAL	
UNITED STATES 1-800-346-4175 (LONDONDERRY, NH)		ITEM NO: 27003440	CAT. NO: NA19A4NCG4
CANADA: 1-800-361-6975 (QUEBEC) 1-800-387-6487 (ALL OTHER PROVINCES)		DRAWN BY: M MOHAN 10/11/12	CHECKER: S. PANDIAN 10/11/12
FOR PRODUCT INFO: <a href="http://www.burndy.com">http://www.burndy.com</a>		DSN APPVL: D BOUDREAU 10/23/12	MFG APPVL: T WAWRZYNIAK 10/26/12
		QA APPVL: J HILLMAN 11/06/12	MKT APPVL: V TORRES 10/22/12
		PROJ #:	SCALE: 1:1
		SIZE: D	DRAWING NO: 50004937
		DOCUMENT TYPE: Sales	REV: A
		REL LEVEL: Released	SHEET 1 OF 1

REV: PE0200