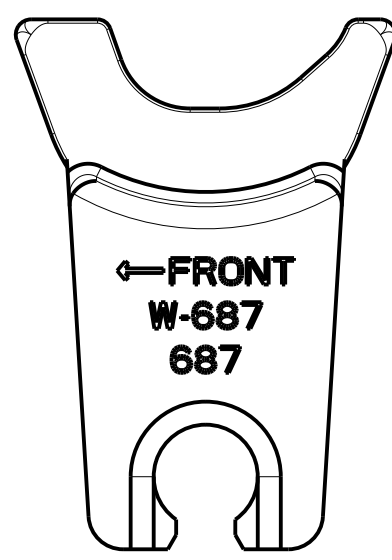
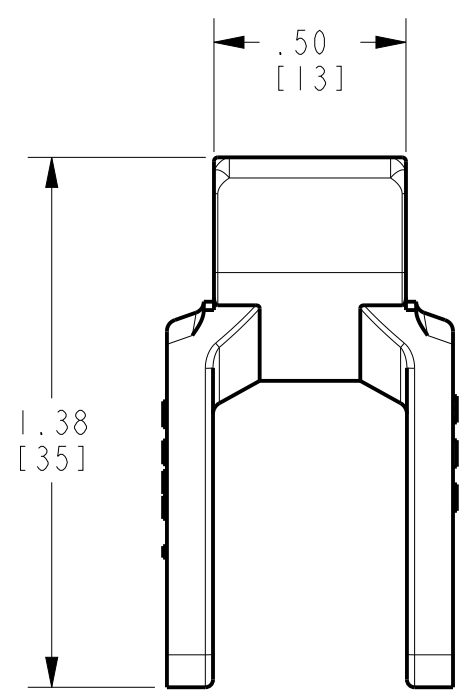
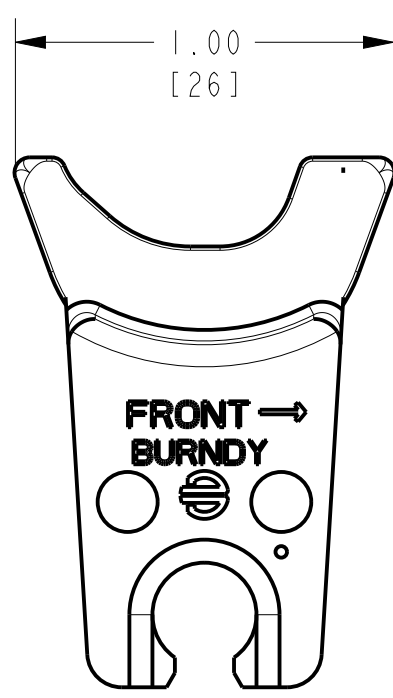
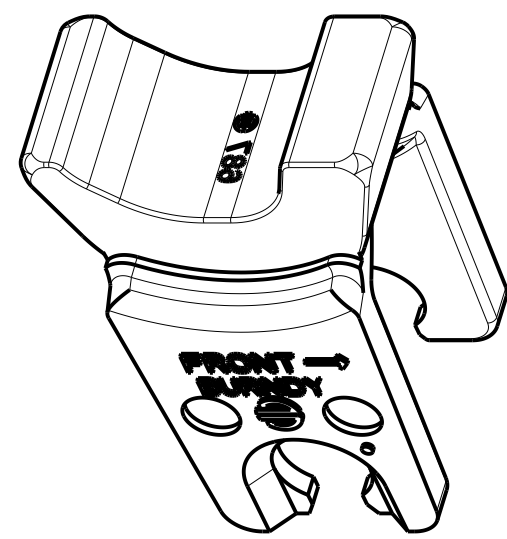
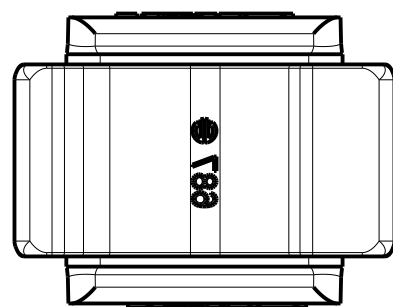


REV.	DATE	DESCRIPTION	ECO	BY	C'H'K.
D	2019-05-03 00:00:00 EDT	DRAWING RELEASED	51215	TRF	LNB



NOTES:

1. DIMENSIONS IN BRACKETS [] ARE IN MILLIMETERS ROUNDED OFF TO THE NEAREST MILLIMETER, UNLESS OTHERWISE NOTED, AND ARE FOR REFERENCE ONLY.
2. DIES MUST BE ORIENTED WITH ARROWS DIRECTED TOWARD THE FRONT (JAW TIP END) OF TOOL.
3. MATERIAL: STAINLESS STEEL.
4. CATALOG NUMBER INCLUDES TWO DIE HALVES.
5. DIE GAGE CAT. NO. WPG687.

TO ORDER BURNDY® PRODUCTS CALL
 UNITED STATES:
 1-800-346-4175 (LONDONDERRY, NH)
 CANADA:
 1-800-361-6975 (QUEBEC)
 1-800-387-6487 (ALL OTHER PROVINCES)
 FOR PRODUCT INFO: <http://www.burndy.com>

MD6 HYTOOL NON BOWING DIE	
ITEM NO: 464465	
CAT. NO: W687	
DRAWN BY: B. DURAI CHAMY	07/09/12
CHECKER: L. BROWN	07/12/12
DSN APPVL: L. BROWN	07/12/12
MFG APPVL: --	--
QA APPVL: J. BRODEUR	07/17/12
MKT APPVL: R. POIRIER	07/12/12
PROD FAM: --	SCALE: 2:1
PROJECT #: --	DRAWING NO
DOCUMENT TYPE: Sales	50005273
REL LEVEL: Released	B
	SHEET 1 OF 1



REV: PE0200