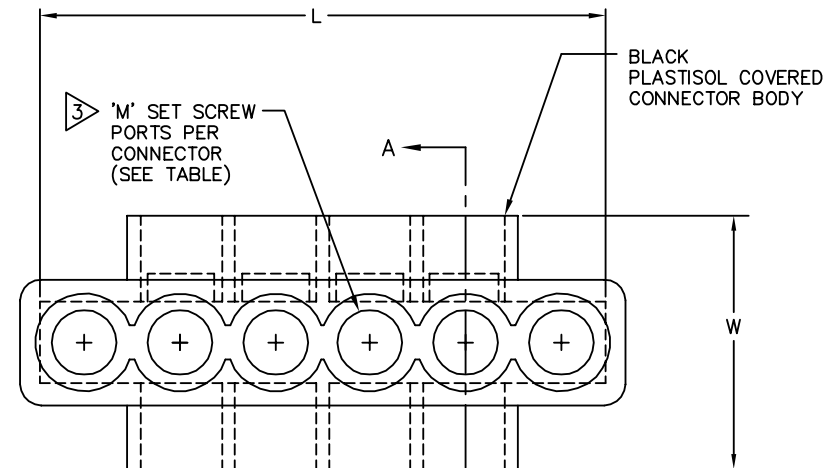
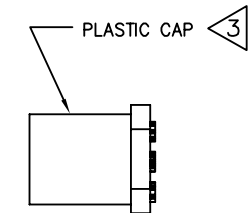
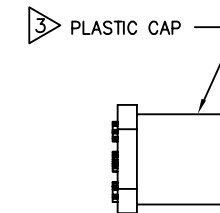
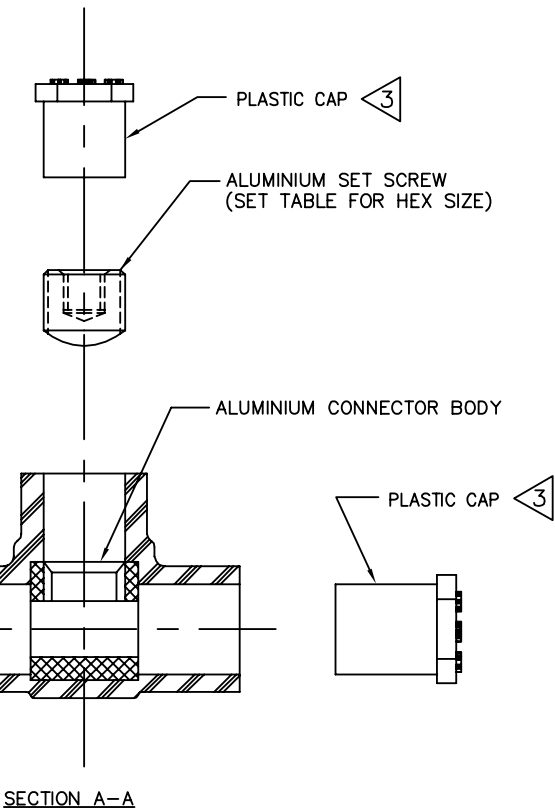
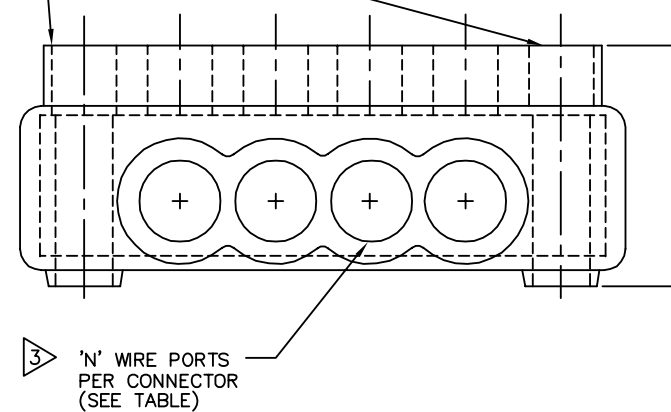


CATALOG NO.	ITEM NO.	WIRE RANGE (AWG/kcmil)	L	W	H	HEX. KEY	M	N
1PLMD2504	10011663	#10-250	5.53 [140]	2.64 [67]	2.13 [54]	5/16	6	4
1PLMD2506	10011664	#10-250	7.40 [188]	2.64 [67]	2.13 [54]	5/16	8	6
1PLMD2508	10011665	#10-250	9.28 [236]	2.64 [67]	2.13 [54]	5/16	10	8
1PLMD25010	10011661	#10-250	11.16 [283]	2.64 [67]	2.13 [54]	5/16	12	10
1PLMD25012	10011662	#10-250	13.03 [331]	2.64 [67]	2.13 [54]	5/16	14	12

REV.	DATE	DESCRIPTION	ECO	BY	C'K'D.
B	8/5/2013	LOGO CHANGE	32736	MVP	MB



SCREW PORT FOR MOUNTING



FEATURES	BENEFITS
PLASTISOL COVERED AL6061-T6 BODY	SAVES TIME, LOWERS INSTALLATION COSTS, ELIMINATES TAPING.
OXIDE-INHIBITOR IS PRE-INSTALLED	INHIBITS MOISTURE AND CONTAMINANTS FROM ENTERING THE CONTACT AREA
RANGE-TAKING	REDUCES THE NUMBER OF CONNECTORS CARRIED IN INVENTORY

## NOTES:

- THIS DRAWING TO BE INTERPRETED PER ANSI Y14.5M.
- CONNECTORS ARE SUPPLIED INDIVIDUALLY LABELED. LABEL INFORMATION INCLUDES CATALOG NUMBER, AND BARCODE.
- END CAPS INSTALLED ON WIRE PORTS AND SET SCREW PORTS.
- ALL CONNECTORS UL LISTED, CSA CERTIFIED FOR AL9CU, 90°C APPLICATIONS, UNLESS OTHERWISE NOTED.
- DIMENSIONS IN BRACKETS [ ] ARE IN MILLIMETERS ROUNDED OFF TO THE NEAREST MILLIMETER, UNLESS OTHERWISE NOTED, AND ARE FOR REFERENCE ONLY.
- UV RATED INSULATION MATERIAL.

TO ORDER BURNDY® PRODUCTS CALL  
 UNITED STATES:  
 1-800-346-4175 (LONDONDERRY, NH)  
 CANADA:  
 1-800-361-6975 (QUEBEC)  
 1-800-387-6487 (ALL OTHER PROVINCES)  
 FOR PRODUCT INFO: <http://www.burndy.com>

UNITAP™, MOUNTED BLACK	
ITEM NO:	SEE TABLE
CAT NO:	1PLMD250-SERIES (SEE TABLE)
SCALE:	NTS
DRAWN BY:	M RAMESH 07/25/12
CHECKER:	D SPURRELL 07/26/12
DSN APPVL:	D SPURRELL 07/26/12
MFG APPVL:	P KEENAN 07/31/12
QC APPVL:	C KOWALCZYK 07/31/12
MKT APPVL:	S GALE 07/26/12
PROD FAN:	---
PROJECT #:	---
DOCUMENT TYPE:	Sales
REL LEVEL:	Released
DRAWING NO	50007090
REV	B
SHEET 1 of 1	