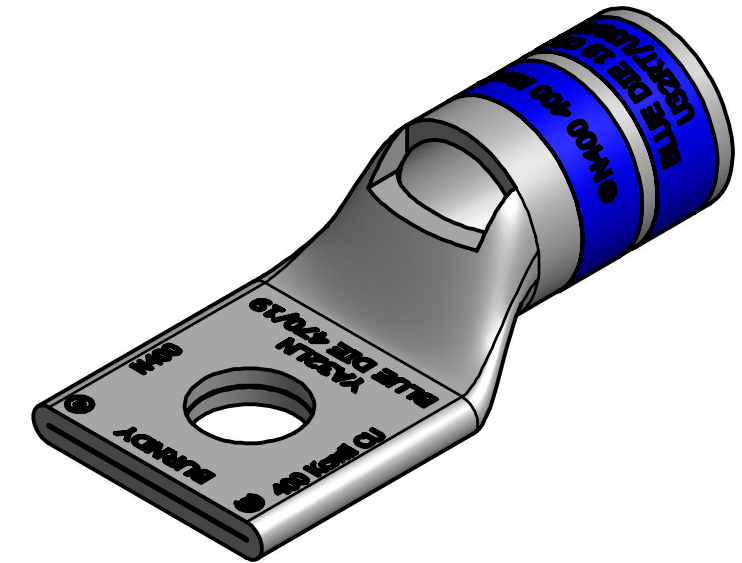
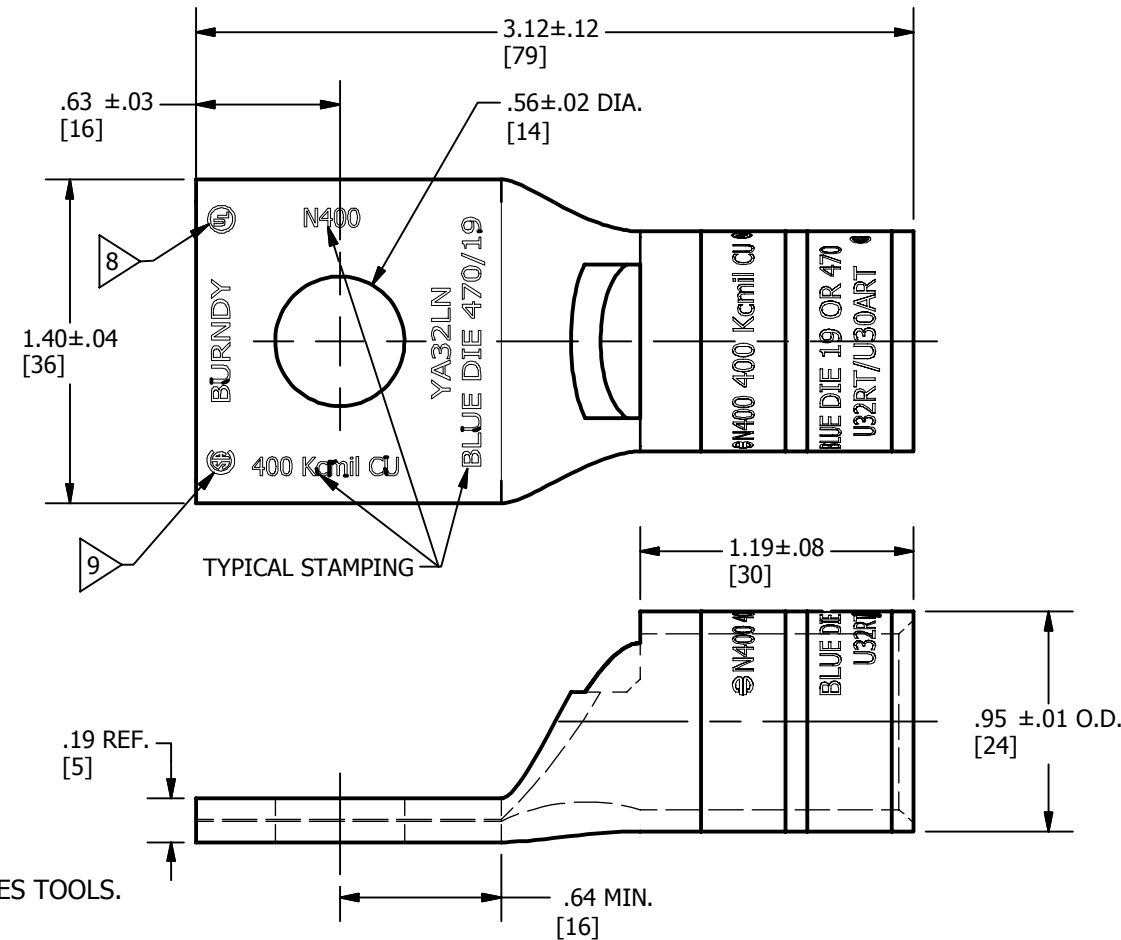


CATALOG NUMBER	STRANDED COPPER CONDUCTOR ACCOMMODATED		BOLT SIZE	INSTALLATION TOOLING (# OF CRIMPS)										DIELESS (# CRIMPS)	WIRE STRIP LENGTH	
	CODE (AWG)	NAVY		COLOR CODE	DIE INFORMATION		MECHANICAL	HYDRAULIC								
					DIE INDEX	TYPE		Y34A Y34B Y34BH	Y35, Y39, Y750, PAT750	Y46, PAT46	Y45	Y48B	Y60BHU			
YA32LN	400 Kcmil	400	1/2" [M12]	BLUE	19 (OR) 470	BLUE DIE SET NEST INDENTOR	W32RT (2) W32VT (2)	-----	Y34PR	Y34PR	Y34PR	Y34PR	Y48PR	Y48PR	HYDRAULIC: Y644 (1) Y81KFT (2) Y4PC834 (2)	1-1/4"

REV	DATE	DESCRIPTION	ECO	BY	C'H'K.
A	08/21/2012	DRAWING RELEASED	28483	BSB	AD



NOTES:

1. MATERIAL: COPPER TUBING.
2. FINISH: TIN PLATED.
3. CATALOG # PT6515 ADAPTOR IS REQUIRED TO USE "U" DIES IN Y45 SERIES TOOLS.
4. CATALOG # PUADP-1 ADAPTOR IS REQUIRED TO USE "U" DIES IN Y46 SERIES TOOLS.
5. Y35P3 INDENTOR ADAPTOR REQUIRED FOR Y34PR INDENTOR.
6. DIMENSIONS IN BRACKETS [] ARE IN MILLIMETERS ROUNDED OFF TO THE NEAREST MILLIMETER, UNLESS OTHERWISE SPECIFIED AND ARE FOR REFERENCE ONLY.
7. FOR USE BY CUSTOMERS THAT HAVE THIS HYPRESS™. NO NEW Y34A HYPRESS™ TOOLS ARE BEING PROCESSED. Y34A USES A--D TYPE NEST DIES.
8. CONNECTOR IS UL LISTED.
9. CONNECTOR IS CSA CERTIFIED.
10. "X", "W-RT", "W-VT", "U" & "L" DIE SETS ARE COLOR CODED. "A", "B", AND "C" DIES ARE NOT COLOR CODED. NESTS AND INDENTOR TYPE ARE NOT COLOR CODED.

TO ORDER BURNDY PRODUCTS CALL		HYLUG™	
UNITED STATES 1-800-346-4175 (LONDONDERRY, NH)		ITEM NO: 50001459	
CANADA: 1-800-361-6975 (QUEBEC) 1-800-387-6487 (ALL OTHER PROVINCES)		CAT. NO: YA32LN	
FOR PRODUCT INFO: http://www.burndy.com		DRAWN BY: B.SURESH BABU 08-17-2012	
		CHECKER: J.MICHAUD 08-23-2012	
		DSN APRVL: J.MICHAUD 08-23-2012	
		MFG APRVL: M.SMITH 08-23-2012	
		QA APRVL: T.WATTS 08-24-2012	
		MKT APRVL: --	
PROD FAM: CM&R COMPRESSION	DRAWING NO	REV	
PROJECT #: --	SIZE	50007569	A
DOCUMENT TYPE: SALES	B		
REL LEVEL: Released		SHEET 1 OF 1	