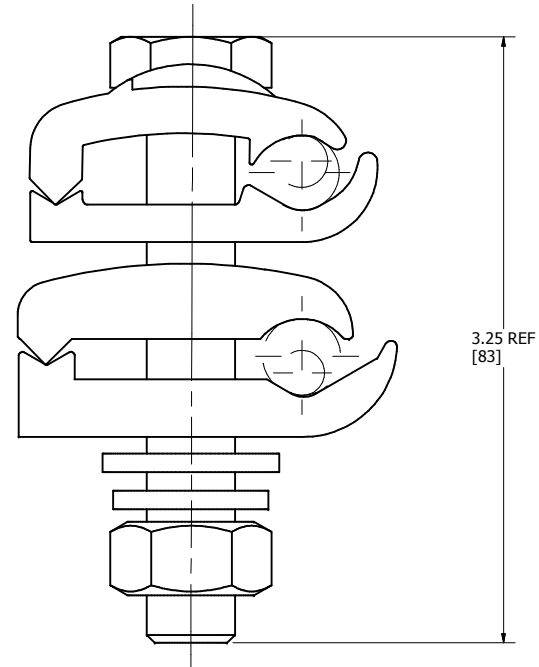
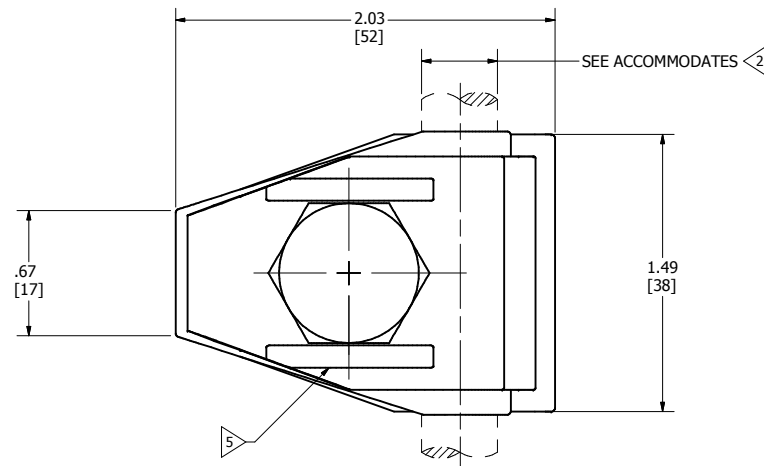


REV	DATE	DESCRIPTION	ECO	BY	C'H'K.
A	08/07/2012	DRP REDRAW TO INVENTOR	28337	JSR	MB



NOTES:

- MATERIAL:
BODY & CAP: CAST COPPER ALLOY
- ACCOMMODATES:
(2) 2/0 Kcmil (.360 [9] DIA.) - 250 Kcmil (.600 [15] DIA.) COPPER CABLE.
- NOMINAL BOLT INSTALLATION TORQUE:
1/2" HEX. SILICON BRONZE HARDWARE 480 IN-LBS [55 Nm].
- DIMENSIONS IN BRACKETS [] DENOTES METRIC UNITS [SI UNITS] AND ARE ROUNDED TO THE NEAREST WHOLE NUMBER. UNLESS OTHERWISE SPECIFIED THESE UNITS SHALL BE USED FOR REFERENCE ONLY.
- HEX BOLTS CAPTURED TO PREVENT TURNING DURING INSTALLATION.
- MARKING
BURNDY
GB29G73

TO ORDER BURNDY® PRODUCTS CALL		GROUNDING CONNECTOR	
UNITED STATES 1-800-346-4175 (LONDONDERRY, NH)		ITEM NO: 10087391	
CANADA: 1-800-361-6975 (QUEBEC) 1-800-387-6487 (ALL OTHER PROVINCES)		CAT. NO: GB29G73	
FOR PRODUCT INFO: http://www.burndy.com		DRAWN BY: SRAMESH 8/7/2012	
		CHECKER: --	
		DSN APRVL: --	
		MFG APRVL: --	
		QA APRVL: --	
		MKT APRVL: --	
PROD FAM: --	SIZE	DRAWING NO	REV
PROJECT #: --	C	50007596	A
DOCUMENT TYPE: SALES			
REL LEVEL: Released			