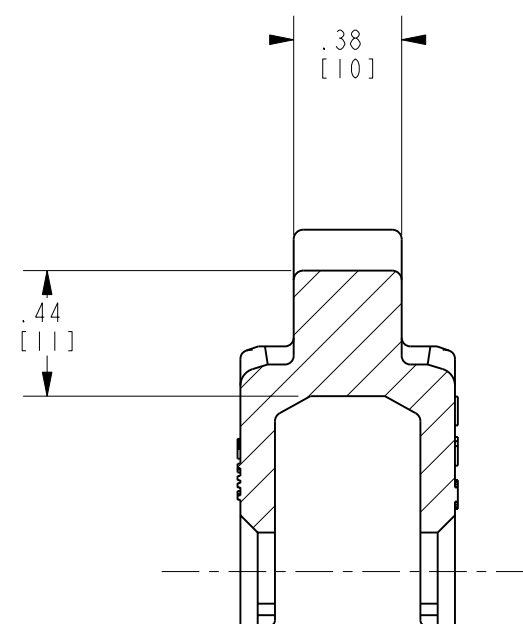
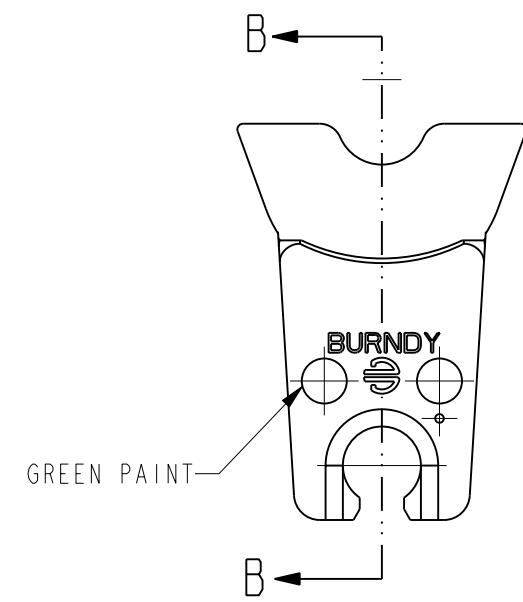
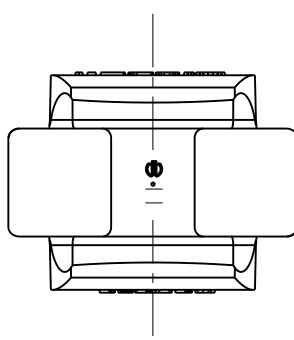
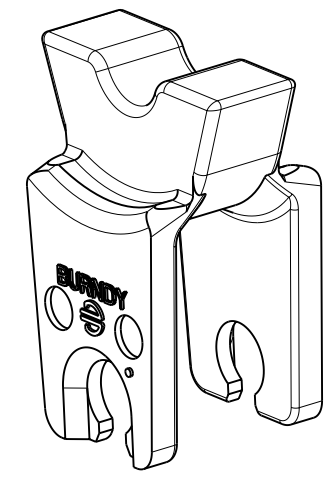
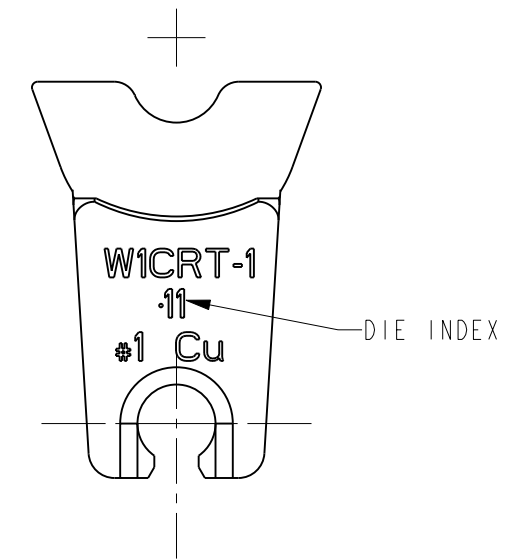


REV.	DATE	DESCRIPTION	ECO	BY	C'H'K.
C	03/16/2015 00:00:00 AM	UPDATED AS PER MARKUP	37870	MG	RM



SECTION B-B



- NOTES:
1. DIMENSIONS IN BRACKETS [ ] ARE IN MILLIMETERS ROUNDED OFF TO THE NEAREST MILLIMETER, UNLESS OTHERWISE SPECIFIED, AND ARE FOR REFERENCE ONLY.
  2. MATERIAL : STAINLESS STEEL.
  3. DIE GAGE CAT NO. WPGIICRTI

TO ORDER BURNDY® PRODUCTS CALL  
 UNITED STATES:  
 1-800-346-4175 (LONDONDERRY, NH)  
 CANADA:  
 1-800-361-6975 (QUEBEC)  
 1-800-387-6487 (ALL OTHER PROVINCES)  
 FOR PRODUCT INFO: <http://www.burndy.com>

W-DIES (MD6 HYTOOL)		SCALE: 3:2	
ITEM NO: 464338		DRAWING NO	
CAT. NO: W1CRT1		REV	
DRAWN BY: THIRU	08/14/2012		C
CHECKER: L BROWN	08/24/2012		
DSN APPVL: L BROWN	08/24/2012		
MFG APPVL: --	--		
QA APPVL: C ACKERMAN	09/07/2012		
MKT APPVL: R POIRIER	08/30/2012	50007849	
PROJECT #: --	SIZE B	SHEET 1 OF 1	
DOCUMENT TYPE: Sales			
REL LEVEL: Released			

REV: PE0200