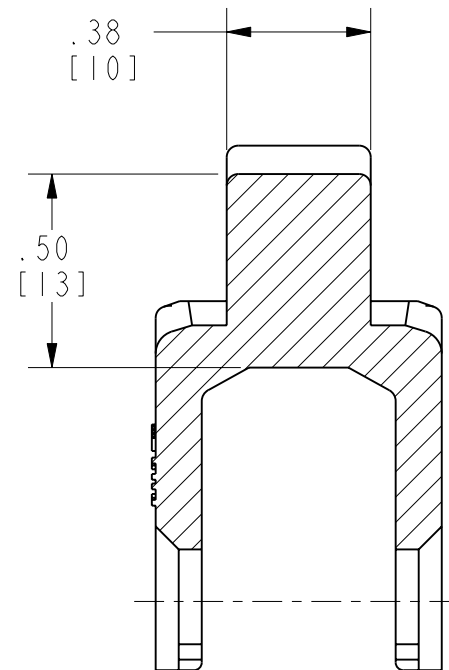
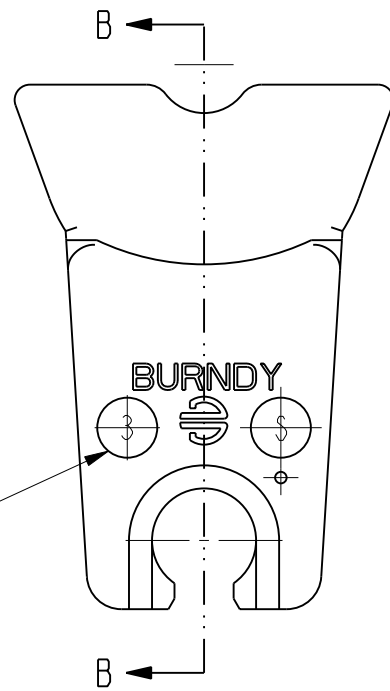
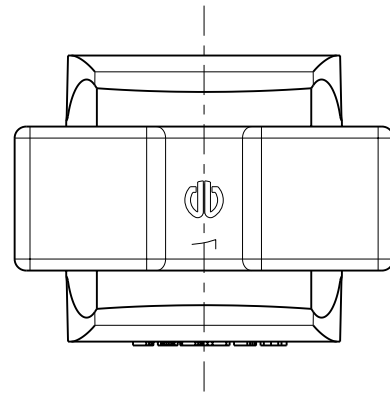
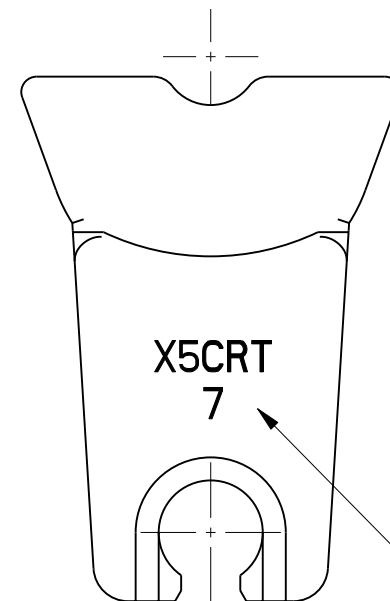


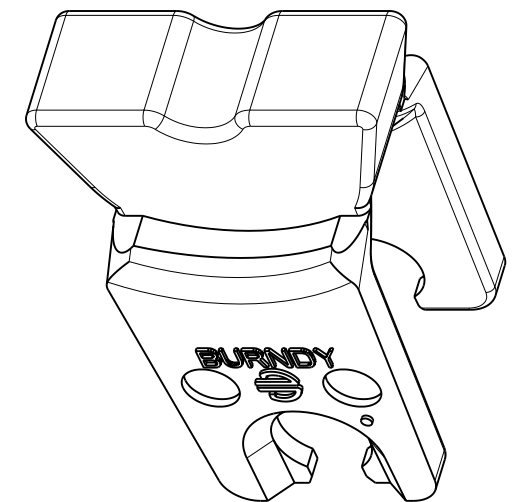
REV.	DATE	DESCRIPTION	ECO	BY	C'H'K.
A	08/16/2012 00:00:00 AM	SALES DRAWING FOR CAT# X5CRT	28527	AT	DD



SECTION B-B



DIE INDEX



NOTES:

- DIMENSIONS IN BRACKETS [ ] ARE IN MILLIMETERS ROUNDED OFF TO THE NEAREST MILLIMETER, UNLESS OTHERWISE NOTED, AND ARE FOR REFERENCE ONLY.
- MATERIAL: STAINLESS STEEL

TO ORDER BURNDY® PRODUCTS CALL		X-DIES (OUR-840, COLOR CODED, COPPER CONN.)	
UNITED STATES:		ITEM NO: 472032	
1-800-346-4175 (LONDONDERRY, NH)		CAT. NO: X5CRT	
CANADA:		DRAWN BY: THIRU 08/16/2012	
1-800-361-6975 (QUEBEC)		CHECKER: P WASON 08/28/2012	
1-800-387-6487 (ALL OTHER PROVINCES)		DSN APPVL: P WASON 08/28/2012	
FOR PRODUCT INFO: <a href="http://www.burndy.com">http://www.burndy.com</a>		MFG APPVL: --	
		OA APPVL: C ACKERMAN 09/07/2012	
		MKT APPVL: R POIRIER 08/30/2012	
		SCALE: 2:1	
		PROJECT #: --	
		DRAWING NO	
		REV	
		SIZE	
		DRAWING NO	
		REV	
		DOCUMENT TYPE: Sales	
		50007924	
		REL LEVEL: Released	
		B	
		A	
		SHEET 1 OF 1	

REV: PE0200