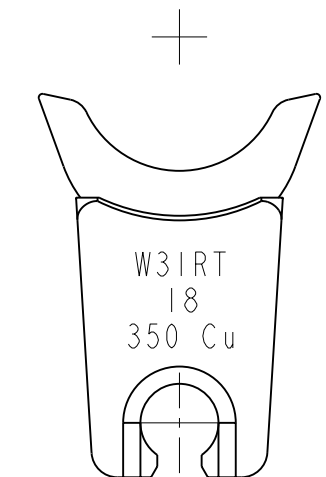
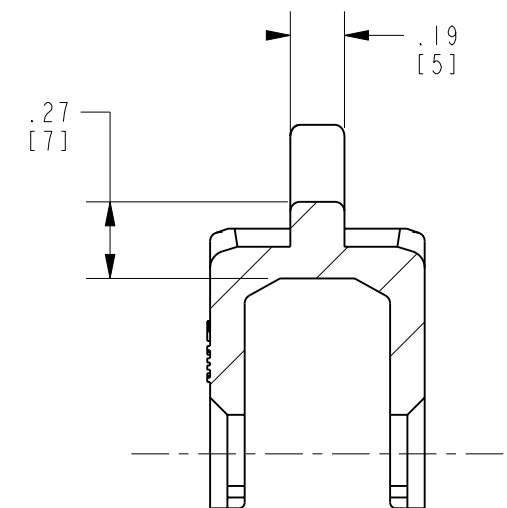
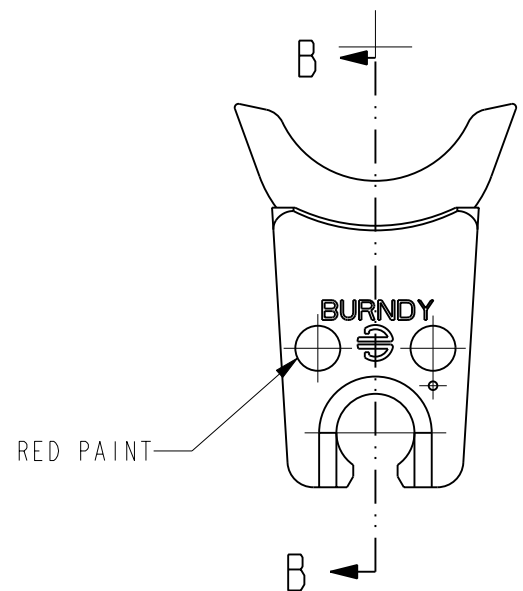
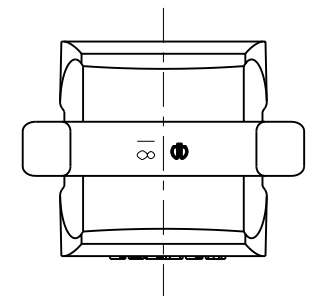


REV.	DATE	DESCRIPTION	ECO	BY	C'H'K.
C	03/16/2015 00:00:00 AM	UPDATED AS PER MARKUP	37640	MG	RM



- NOTES:
1. DIMENSIONS IN BRACKETS [] ARE IN MILLIMETERS ROUNDED OFF TO THE NEAREST MILLIMETER, UNLESS OTHERWISE SPECIFIED, AND ARE FOR REFERENCE ONLY.
 2. MATERIAL: STAINLESS STEEL.
 3. DIE SET CATALOG NUMBER W3IRT TO CONTAIN TWO (2) DIE HALVES.
 4. DIE GAGE CAT NO. WPG18

REV: PE0200

TO ORDER BURNDY® PRODUCTS CALL		W-DIES (MD6 HYTOOL)	
UNITED STATES:		ITEM NO: 464301	
1-800-346-4175 (LONDONDERRY, NH)		CAT. NO: W3IRT	
CANADA:		DRAWN BY: B. MANIKANDAN 09/26/2012	
1-800-361-6975 (QUEBEC)		CHECKER: P. WASON 08/29/2012	
1-800-387-6487 (ALL OTHER PROVINCES)		DSN APPVL: P. WASON 08/29/2012	
FOR PRODUCT INFO: http://www.burndy.com		MFG APPVL: -- --	
		QA APPVL: J. BRODEUR 09/21/2012	
		MKT APPVL: R. POIRIER 08/30/2012	
		SCALE: 3:2	
		PROJECT #: --	
		DRAWING NO	
		50008139	
		REV	
		C	
		SHEET 1 OF 1	