

CATALOG NO.	ITEM NO.	CONDUCTOR (REF.)		FIG. NO.	A	B	P	INDEX NO.
		Kcmil	STR.					
S608	431036	556.5	24-7 26-7	2	.65 [17]	.50 [13]	15°	608
S342	413025	795	37,61		.72 [18]	.74 [19]	30°	342
S579	413045	795	26-7	1	.75 [19]	.72 [18]	--	579
S319	413015	636	24-7 26-7		.78 [20]	.74 [19]		319
S352	413030	954	37,61		.81 [21]	.74 [19]		352
S292	413013	795	36-1		.80 [20]	.74 [19]		292,578
S469	413040	636	37	2	.71 [18]	.74 [19]	30°	469
S667	50008482	477	19		.75 [19]	.74 [19]		667

REV.	DATE	DESCRIPTION	ECO	BY	C'H'K.
A	02/07/2013 00:00:00 AM	CREATE SALES DRAWING FOR CAT. # S602, S342, S579, S319 S352, S292, S469, S667	28455	DD	MB

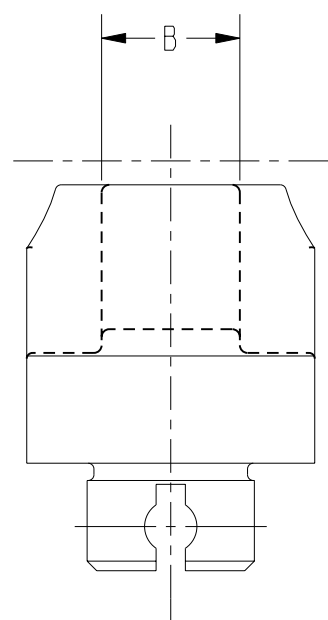
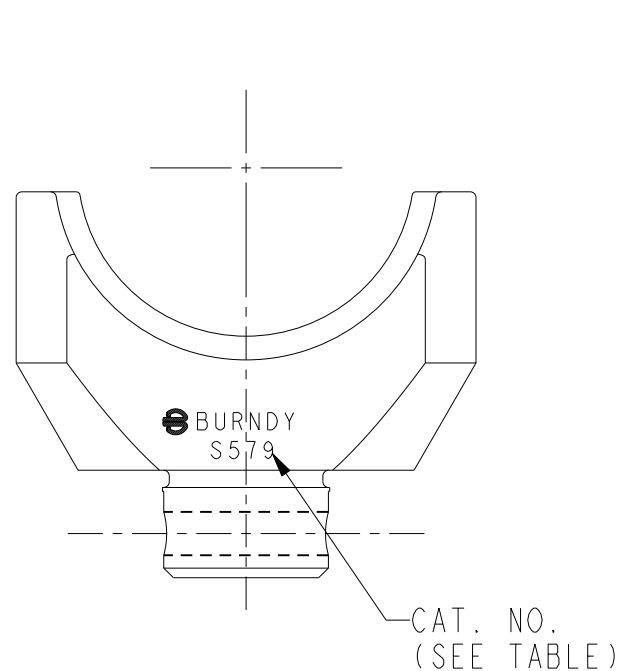


FIG. 1

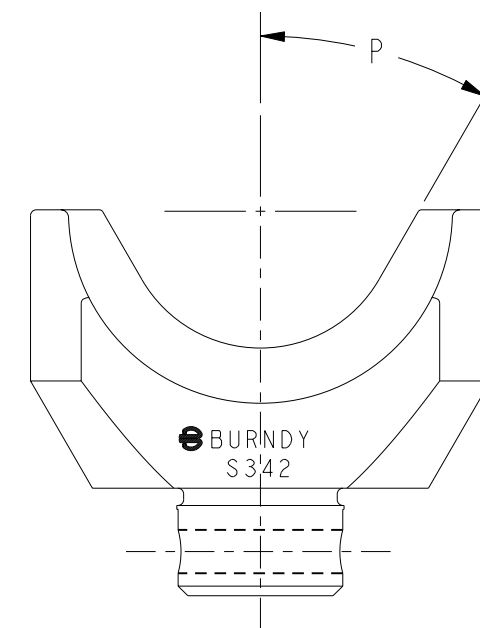
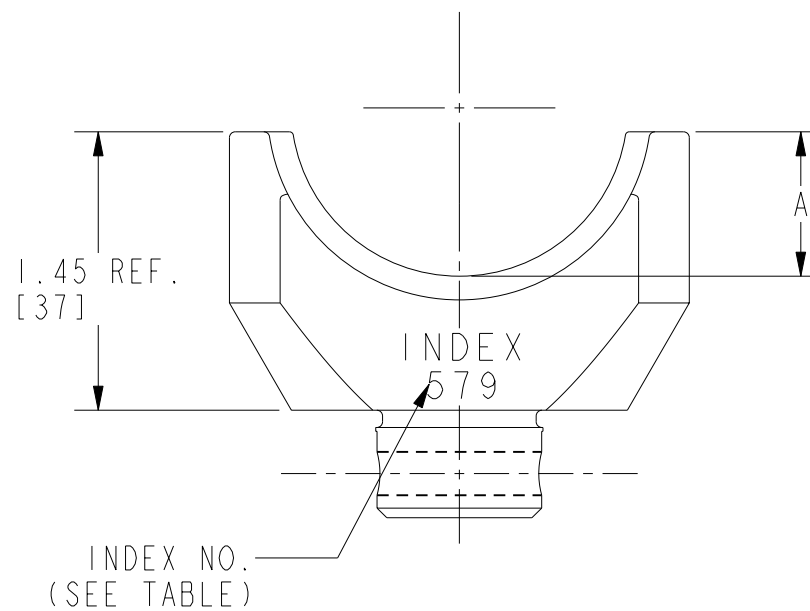


FIG. 2

NOTES:

- MATERIAL: STAINLESS STEEL
- DIMENSIONS IN BRACKETS [] ARE IN MILLIMETERS, ROUNDED OFF TO THE NEAREST MILLIMETER, UNLESS OTHERWISE NOTED. METRIC DIMENSIONS ARE FOR REFERENCE ONLY.

TO ORDER BURNDY® PRODUCTS CALL
UNITED STATES:
1-800-346-4175 (LONDONDERRY, NH)

CANADA:
1-800-361-6975 (QUEBEC)
1-800-387-6487 (ALL OTHER PROVINCES)
FOR PRODUCT INFO: <http://www.burndy.com>

TWIN DIE (Y45L)	
ITEM NO:	SEE TABLE
CAT. NO:	S--- (TABLE)
DRAWN BY:	D DHEENA 08/22/2012
CHECKER:	P WASON 02/07/2013
DSN APPVL:	P WASON 02/07/2013
MFG APPVL:	--
QA APPVL:	J BRODEUR 02/08/2013
MKT APPVL:	M RZASA 03/26/2013
PROD FAM:	--
PROJECT #:	--
DOCUMENT TYPE:	Sales
REL LEVEL:	Released
SCALE:	1:1
DRAWING NO:	50008314
REV:	A
SHEET	1 OF 1



REV: PE0200